

FEATURES

- ▶ RED, GREEN OR BLUE LED
- ▶ Bezel mount or 180° bracket mounting in multiple planes
- ▶ Resistant to RF and EMI
- ▶ Durable metal case
- ▶ Highly visible 2.3" LED display
- ▶ Multifunction loop, set voltage, adjustable voltage inputs, all included
- ▶ Isolated AC/DC supply works in many control applications



SPECIFICATIONS

DISPLAY

Digits: 3 ½ digits (± 1999 counts)
 Type: 2.3" (58.4mm) - 7 segment LED red, green or blue digits

INPUTS

Set Voltage Ranges: ± 200 mV, ± 2 V, ± 20 VDC
 Configuration: bipolar differential
 Protection: ± 350 VDC, (± 100 VDC on 200 mV range)
 Impedance: >1 M Ω , (>10 M Ω on 200 mV range)
 Adj. Voltage Ranges: 200 mV, 5 V, 10 VDC
 Offset Range: -1999 to +1999
 Gain Range: 1 to 1000
 4-20mA Loop Ranges: 4 to 20mA DC
 Configuration: bipolar differential
 Protection: ± 30 mA
 Loop Impedance: 300 Ω nominal

PERFORMANCE

Accuracy: $\pm (0.1\% \text{ fs} + 1 \text{ count})$
 Conversion Rate: 3 per second
 Normal Mode Rejection: >30 dB @ 60 Hz
 Common Mode Rej.: >86 dB
 Zero Adjustment: automatic on set voltage ranges
 Warmup: 10 minutes typical
 Temperature Coeff.: ± 100 ppm per $^{\circ}\text{C}$ typical

ENVIRONMENT

Operating Range: -10 to 50 $^{\circ}\text{C}$
 Storage Range: -40 to 75 $^{\circ}\text{C}$

POWER SUPPLY

BDR-999: 90 to 250 VAC @ 12 VA
 BDR-924: 10.5 to 30 VAC/DC @ 6 VA

MOUNTING

180° gimballed mounting with 30° stops, or bezel mount

CONNECTION

screw terminals

ORDERING INFO

PART NUMBER	METER POWER	COLOR
BDR-999R.....	90 - 250 VAC	RED
BDR-999G.....	90 - 250 VAC	GREEN
BDR-999B.....	90 - 250 VAC	BLUE
BDR-924R.....	10.5 - 30 VAC/DC.....	RED
BDR-924G.....	10.5 - 30 VAC/DC.....	GREEN
BDR-924B.....	10.5 - 30 VAC/DC.....	BLUE
ACCESSORIES		
CVC	Calibrator	

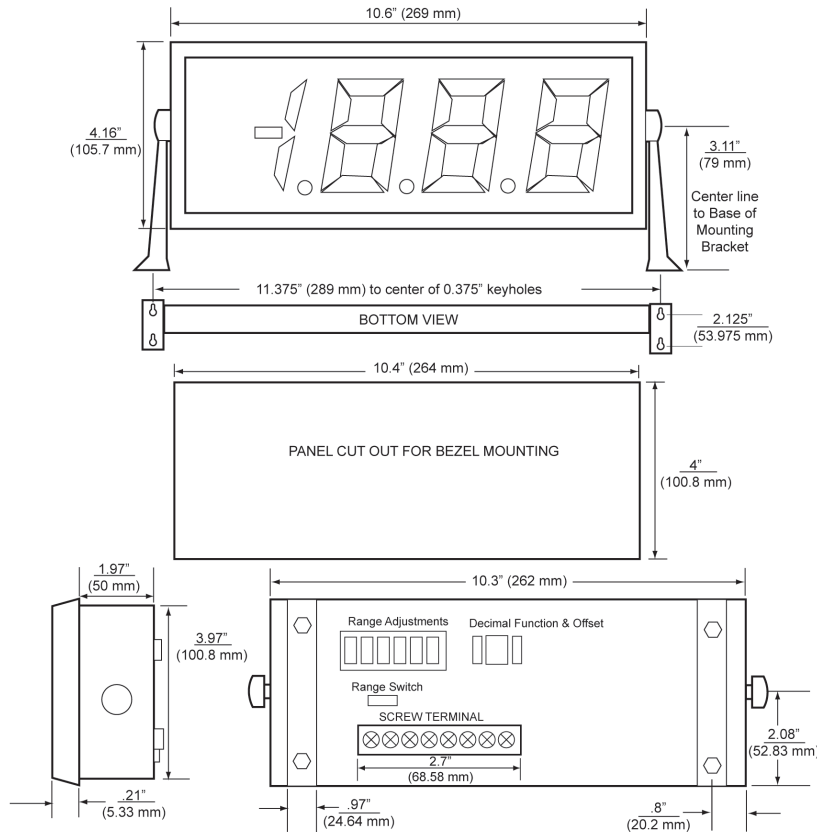


Specifications Installation and Operating Instructions
LED Digital Panel Meters
 2.3" Numeral Multifunction Meter LARGE 3½ Digit LED Display

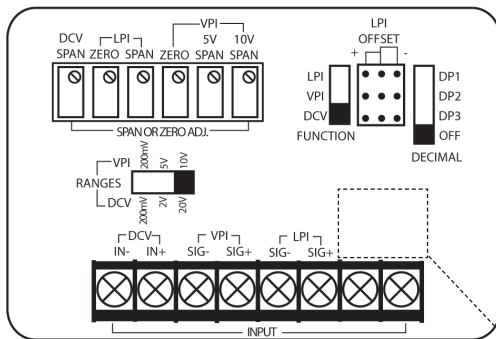
BDR Series



DIMENSIONS



WIRING & CALIBRATION



1. Set function switch in correct position (LPI, VPI, DCV).
2. Set voltage input range switch in correct position (200mV, 2V/5V, 20V/10V).
3. Attach input wires to appropriate screw terminals.
4. Attach power wires to AC/DC power screw terminals.
5. Power unit up.
6. Apply lowest input into meter, adjust correct zero pot for required reading (N/A on DCV function).
7. Apply highest input into meter, adjust correct span pot for required reading.
8. Recheck zero input and adjust again as needed.
9. Check reading at mid-point for required reading.
10. Select appropriate decimal as required.

*** LPI OFFSET PIN POSITIONS**

In "+" position enables user to have negative zero readings.
 In "-" position enables user to have positive zero readings.

AC POWER
 [90V - 250V]
 AC AC
(BDR-999)

OR

AC POWER
 [10.5V - 30V]
 AC or DC
(BDR-924)