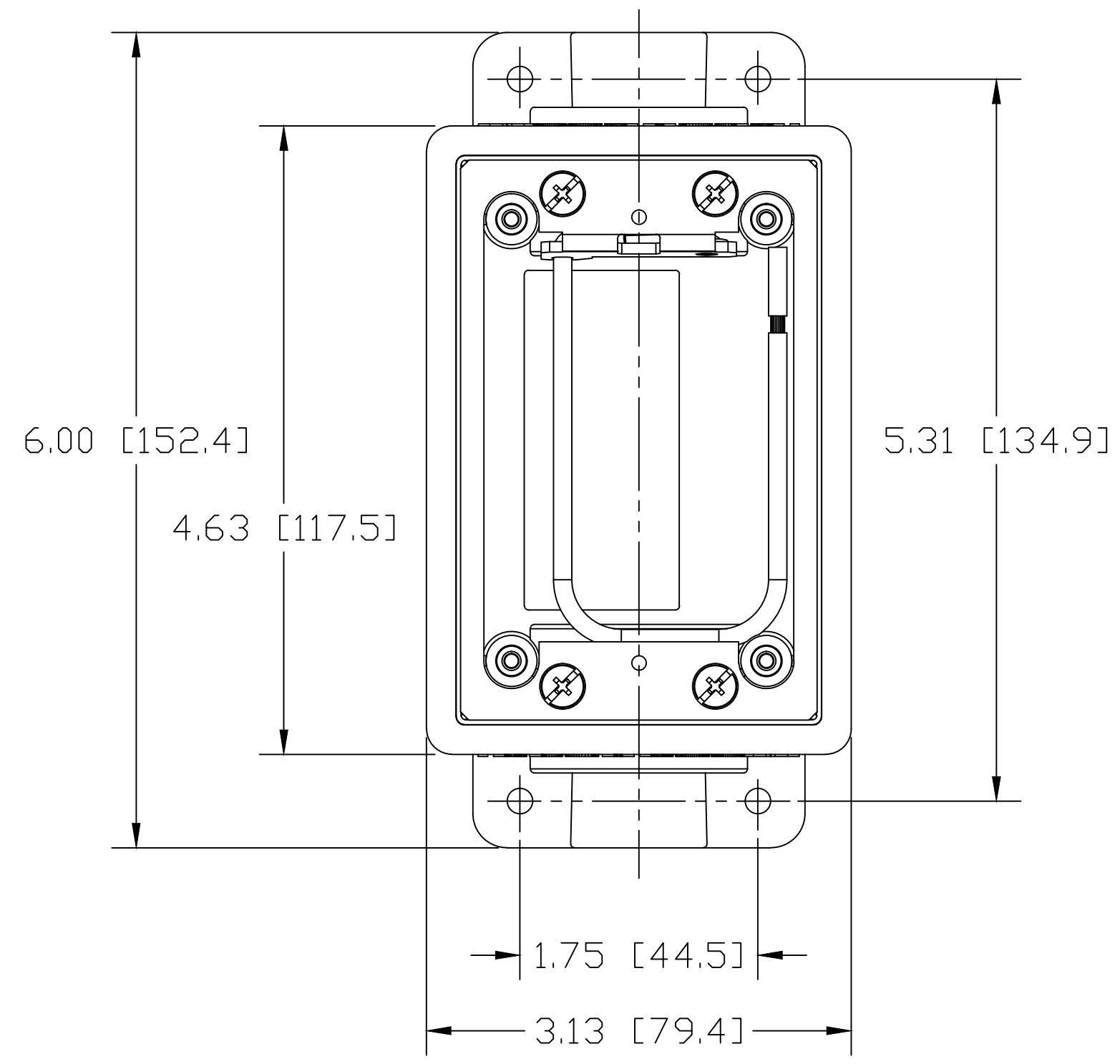
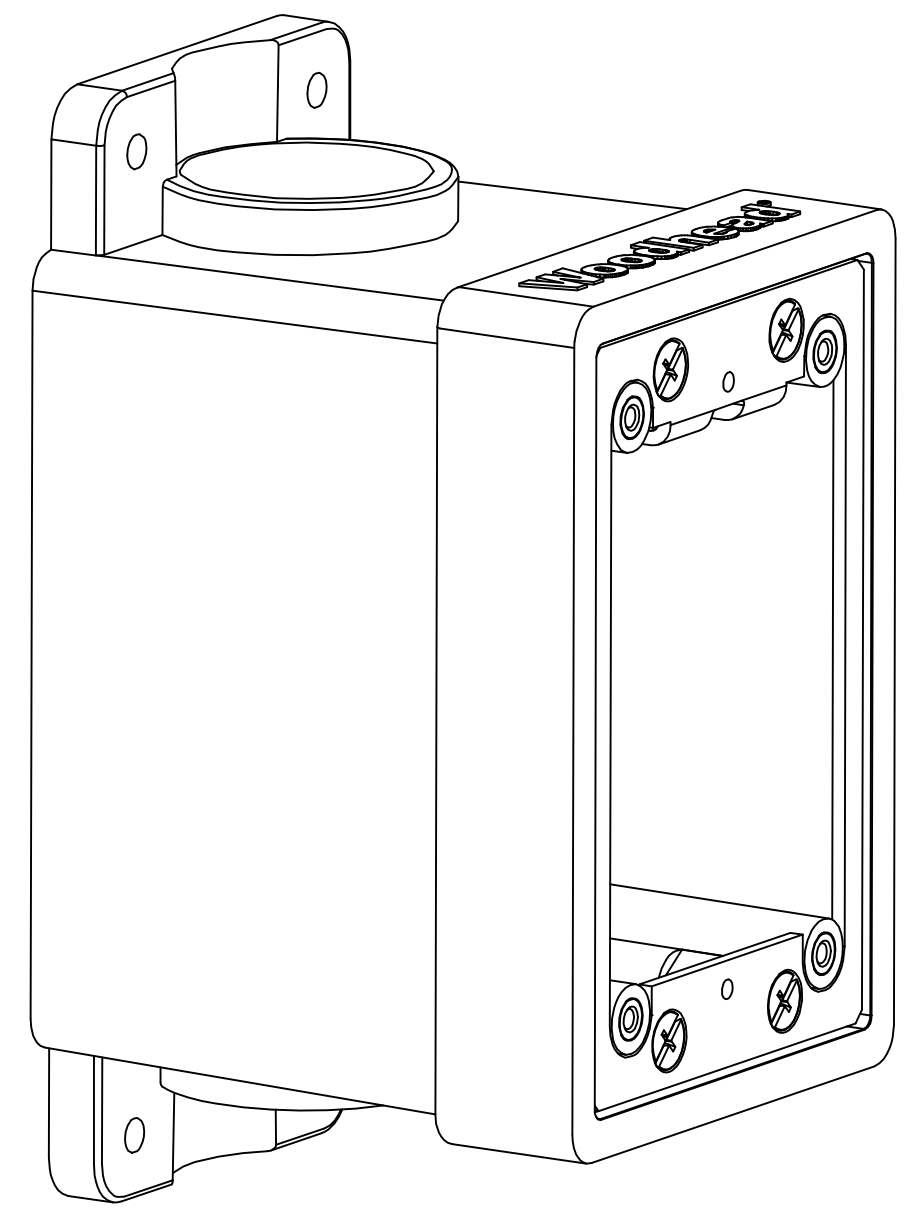


13 12 11 10 9 8 7 6 5 4 3 2 1

J I H G F E D C B A



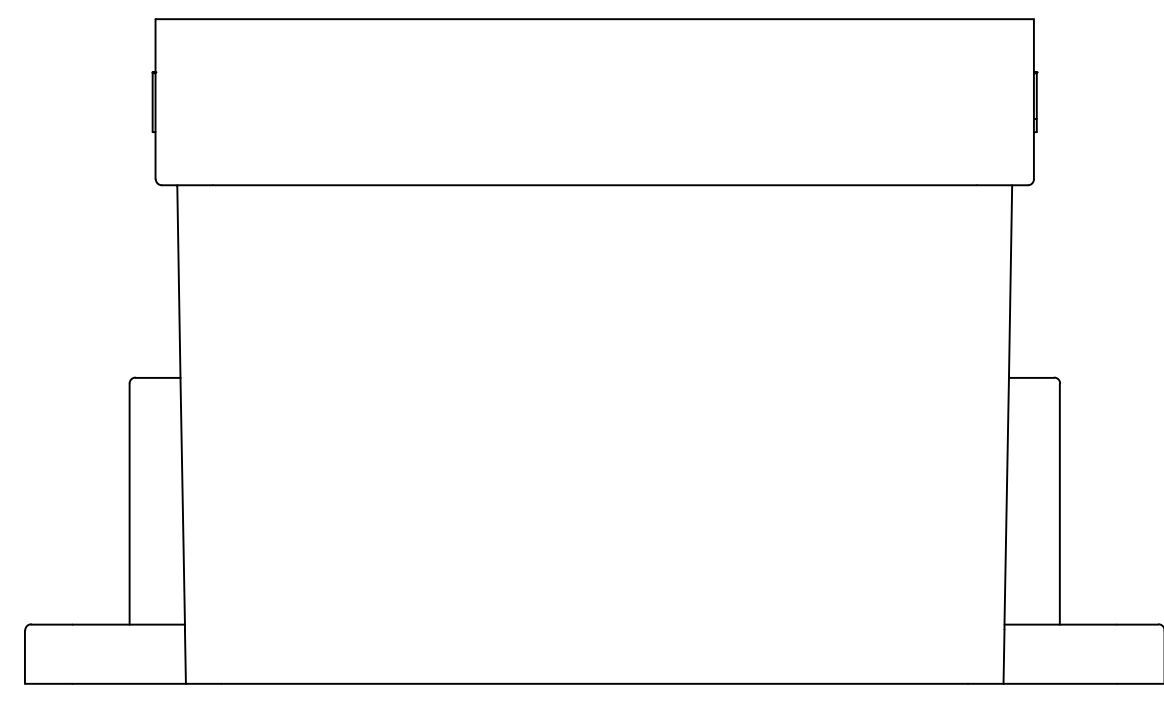
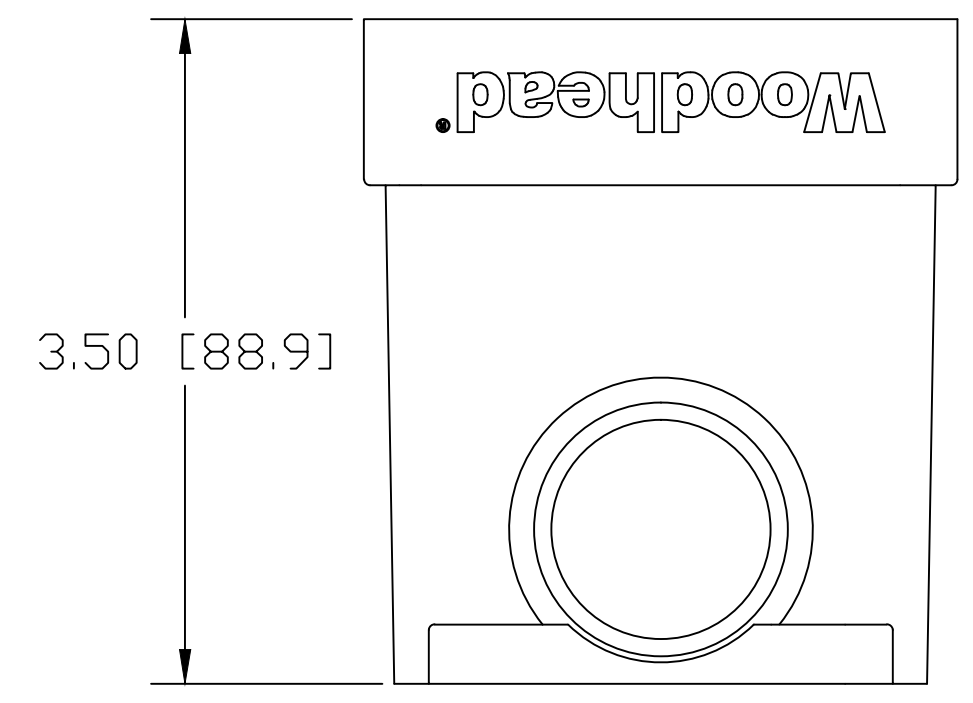
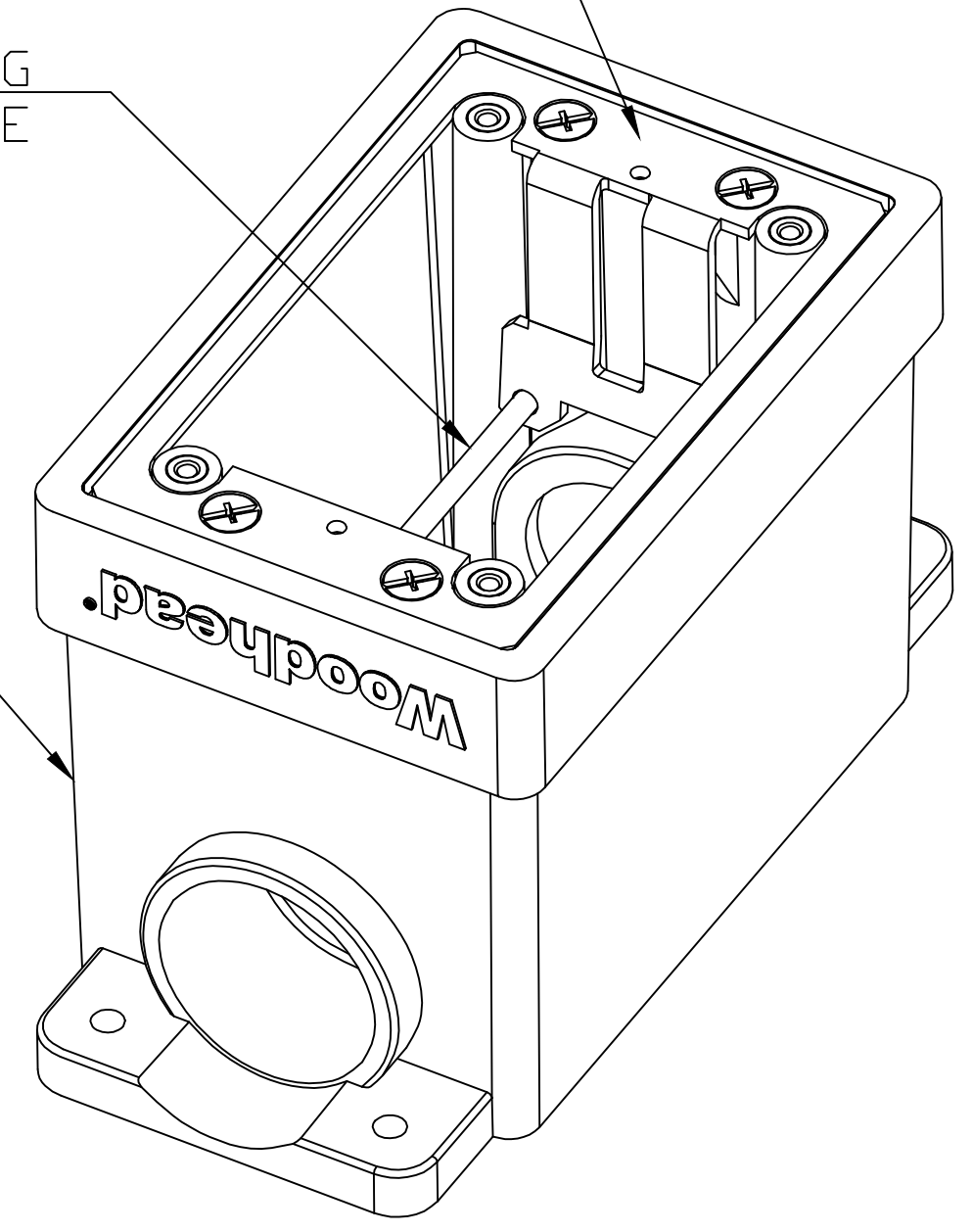
INCLUDES:
REDUCERS FOR 3/4" AND 1/2" CONDUIT
AND PLUGS FOR UNUSED HOLES.



STAINLESS STEEL
MOUNTING PLATE

GROUNDING
WIRE

PVC BOX



MATERIAL #	ENGINEERING #	COLOR
1301280150	455-FD1	YELLOW
1301280160	455-FD1BLK	BLACK

RELEASE DRAWING	QUALITY SYMBOL
EC NO.: IPG2014-0796	▽=0
DRWN: HKNEELAN 2013/11/01	▽C=0
CH'KD: HKNEELAN	
APPR: JFMURPHY 2013/11/08	
REV	
A	

GENERAL TOLERANCES (UNLESS SPECIFIED)	
	mm INCH
4 PLACES	±.005 ±.0005
3 PLACES	±.010 ±.0010
2 PLACES	±0.13 ±.010
1 PLACE	±0.25 ±.020
ANGULAR ±.5°	
DRAFT WHERE APPLICABLE MUST REMAIN WITHIN DIMENSIONS	

DIMENSION STYLE INCH[MM]	
DRAWN BY	DATE
HKNEELAN	2013/11/01
CHECKED BY	DATE
HKNEELAN	2013/11/01
APPROVED BY	DATE
JFMURPHY	2013/11/08
MATERIAL NO.	SEE CHART
SIZE	C

SCALE NTS	DESIGN UNITS INCH	THIRD ANGLE PROJECTION
TITLE		
FD BOX, SINGLE GANG FOR WATERTITE PRODUCTS		
MOLEX INCORPORATED		
DOCUMENT NO.	SHEET NO.	
SD-130128-001	1 OF 1	
THIS DRAWING CONTAINS INFORMATION THAT IS PROPRIETARY TO MOLEX INCORPORATED AND SHOULD NOT BE USED WITHOUT WRITTEN PERMISSION		

13 12 11 10 9 8 7 6 5 4 3 2 1