

Click to
ORDER
samples

AMA65-Y



Wall Mount Adaptor

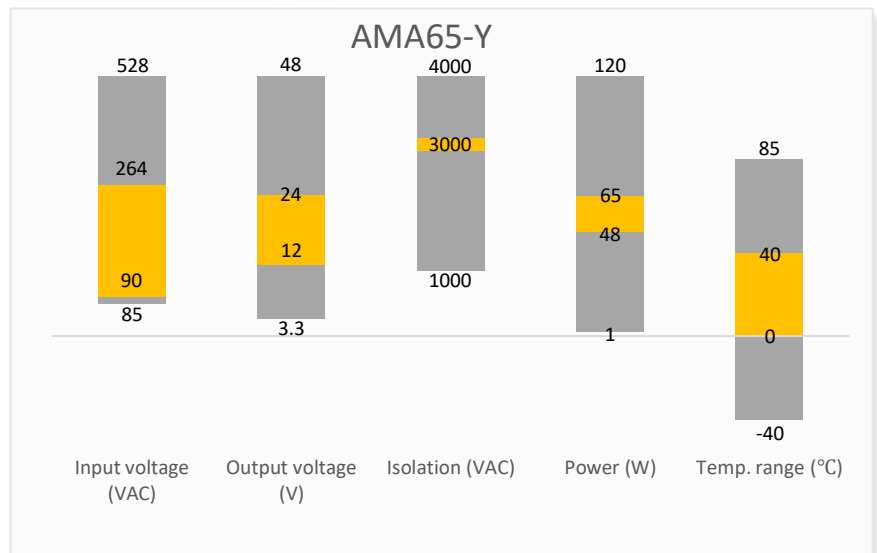
The AMA65-Y is a small industrial grade wall mount adapter. Offering a commercial input voltage range of 90-264VAC and an output power of 60W. This adapter will offer many benefits to powering your system such as low power consumption, high efficiency (complies with DoE level VI), meeting IEC62368-1, FCC, Class B, CISPR22, Class B.

It also features an isolation of 3000VAC for improved reliability and system safety and comes standard with output short circuit protection (OSCP) and output over-current protection (OCP).

Features

- Universal Input: 90 - 264VAC/47 - 63Hz
- Operating Temp: 0 °C to +40 °C
- High isolation voltage: 3000VAC
- Low ripple & noise, 240mV(p-p), max
- Output short circuit, over-current protection
- Regulated Output

Summary



Training



Product Training Video
(click to open)



Press Release

Coming Soon!

Application Notes

Applications



Portable Equipment

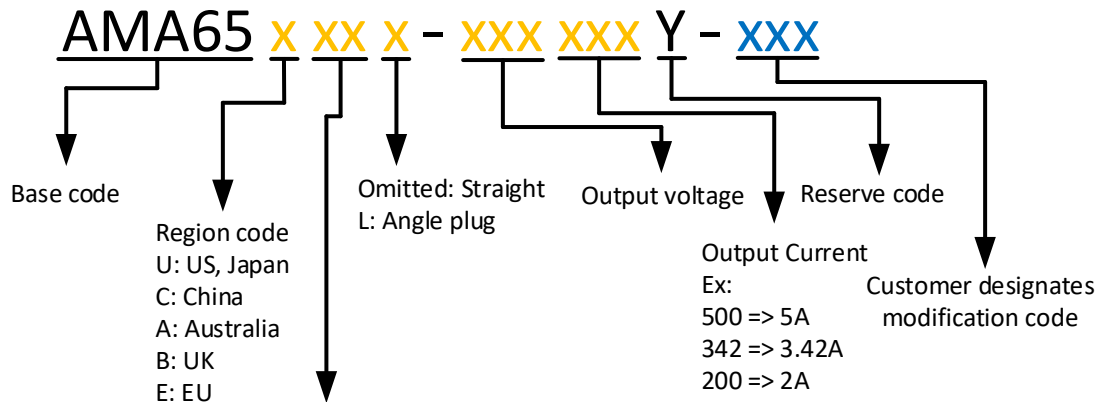


Industrial

Models & Specifications

General Feature					
Model	Input Voltage (VAC)	Output Voltage (VDC)	Output Current max (A)	Output Power max (W)	Efficiency (%)
AMA65U-120500Y	90 - 264	12	5.0	60	87
AMA65E-120500Y	90 - 264	12	5.0	60	87
AMA65U-190342Y	90 - 264	19	3.42	65	88
AMA65E-190342Y	90 - 264	19	3.42	65	88
AMA65U-240200Y	90 - 264	24	2.0	48	87
AMA65E-240200Y	90 - 264	24	2.0	48	87

Please refer to below coding rule for completed part numbers. Eg. AMA65UR5-120500Y for industrial grade adaptor with US wall plug which comes with 5.5mm*2.5mm*9.5mm straight standard output plug.



Plug type	Code	O. D.	I. D.	Length
Standard	R4	5.5mm	2.1mm	9.5mm
	R5	5.5mm	2.5mm	9.5mm
Locking	K1	5.5mm	2.1mm	9.5mm
	K2	5.5mm	2.5mm	9.5mm
USB	U2	* USB type C (For 12V, 19V output models only)		

* NOTE: The USB type C connector option is only a physical USB type-C connector which does not support PD and programmable power supply.

Input Specification					
Parameters	Conditions	Minimum	Typical	Maximum	Units
Voltage range		90	100 - 240	264	VAC
Frequency		47	50 - 60	63	Hz
Input current	Vin at 100 -240VAC			2	A
Leakage Current	230VAC/50Hz		0.25		mA

Output Specification						
Parameters	Conditions		Minimum	Typical	Maximum	Units
Output voltage	12VDC output			12		VDC
	19VDC output			19		
	24VDC output			24		
Output current	12VDC output		0		5.0	A
	19VDC output		0		3.42	
	24VDC output		0		2.0	
Voltage regulation					±5	%
Ripple and Noise	20 MHz bandwidth	12&19VDC output			200	mVp-p
		24VDC output			240	

Ripple and Noise are measured at 20MHz bandwidth by using a 0.1uF (M/C) and 10uF (E/C) parallel capacitor.

Isolation Specifications				
Parameters	Conditions	Typical	Rated	Units
Tested I/O voltage	60 sec, leakage current < 10mA		3000	VAC

General Specification						
Parameters	Conditions		Minimum	Typical	Maximum	Units
Operating temperature			0		40	°C
Storage temperature			-20		70	°C
Efficiency	At active average mode	12VDC output	87.67			%
		19VDC output	88.0			
		24VDC output	87.76			
Power consumption	Vin at 100 -240VAC, no load	12VDC output			100	mW
		19&24VDC output			210	
Humidity	Non-condensing		20		90	% RH
Altitude			0		2000	m
DOE LEVEL			VI			
Short circuit protection			Auto recovery			
Over current protection			Auto recovery			
Dimensions (L x W x H)	US		4.15 x 1.65 x 3.41 inches (105.40 x 42.00 x 86.50mm)			
	EU		4.15 x 1.65 x 3.89 inches (105.40 x 42.00 x 98.80mm)			
Output Cable length			59.06 inches (1500mm)			
MTBF			> 175 000 hrs (Telcordia SR-332, t=+25°C)/Full Load			

All specifications in this datasheet are measured at an ambient temperature of 25°C, humidity<75%, nominal input voltage and at rated output load unless otherwise specified.

Safety Specifications

Parameters

Agency approvals cULus UL62368-1, CE EN62368-1

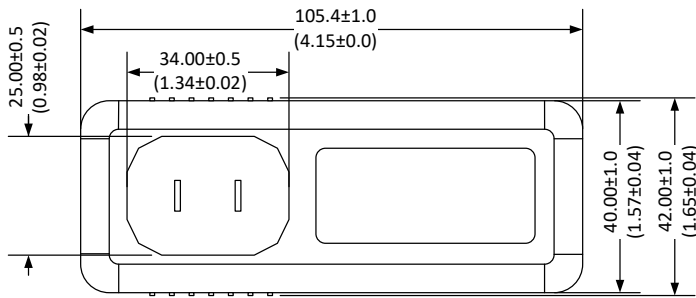
Information technology Equipment Design to meet IEC62368-1

Standards EMC - Radiated & Conducted emission FCC, Class B
CISPR22, Class B

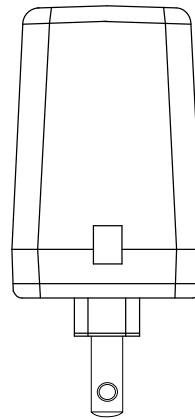
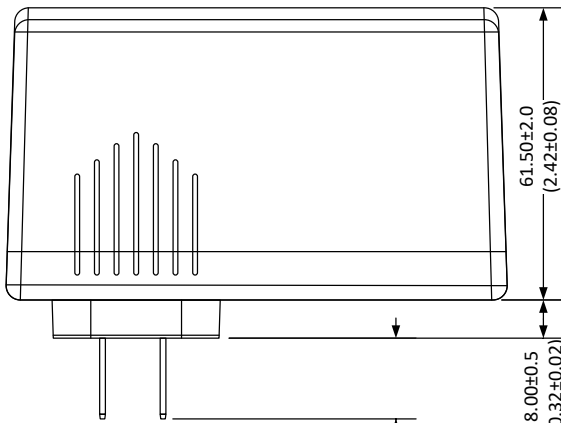
Surge Immunity IEC61000-4-5, L-N 1KV/1.2*50us, 5 time, no function error

Dimensions

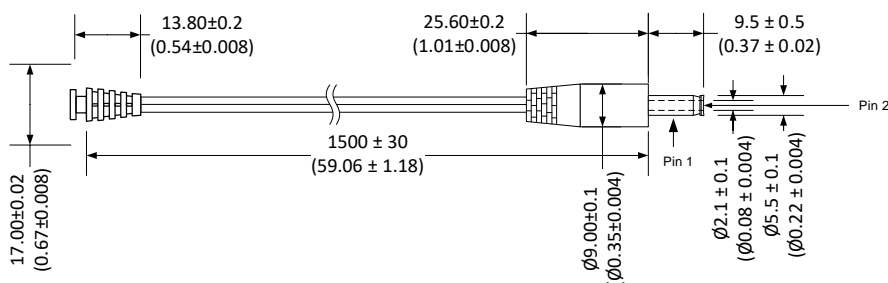
US Plug:



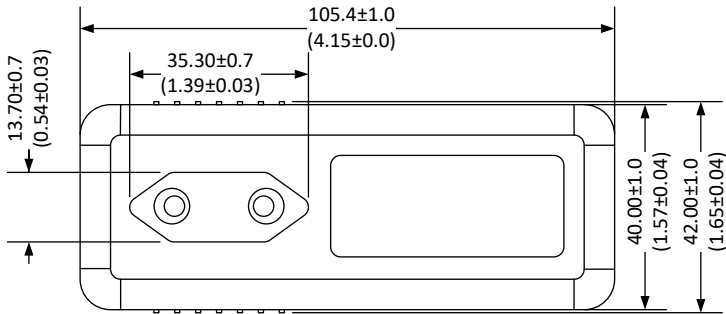
Pin Output Specifications	
Pin	Output Level
1	RTN(-)
2	+Vout



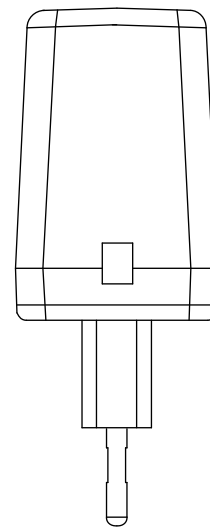
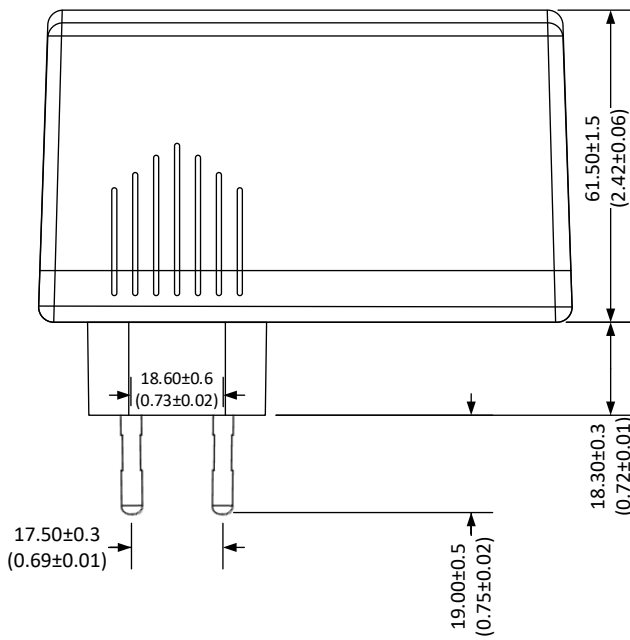
Dimensions mm(inch).



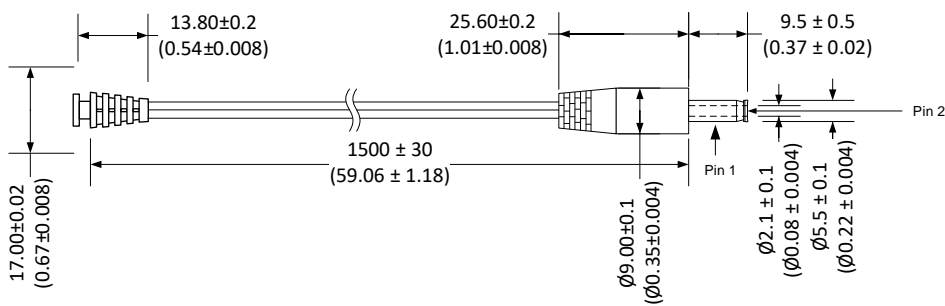
European Plug:



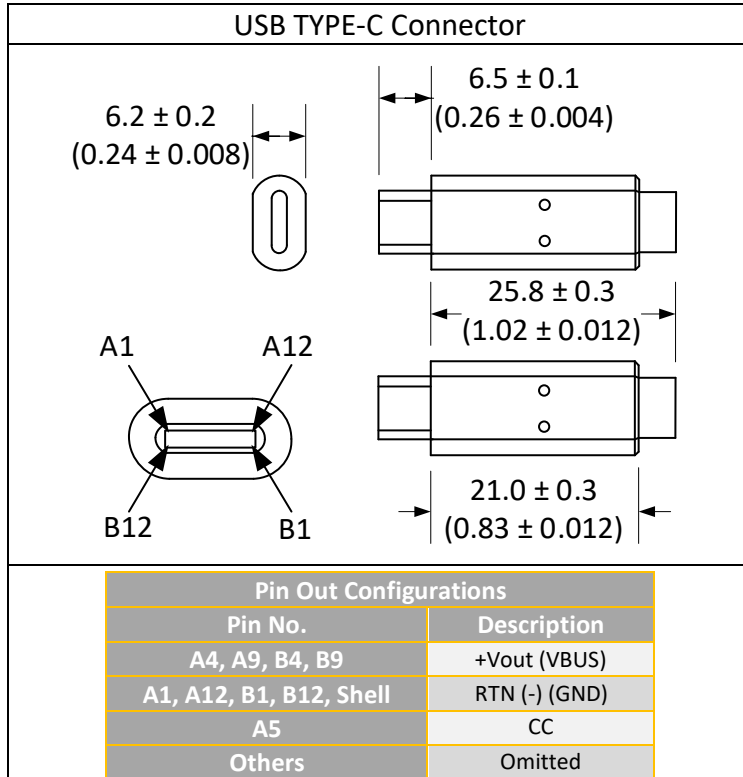
Pin Output Specifications	
Pin	Output Level
1	RTN(-)
2	+Vout



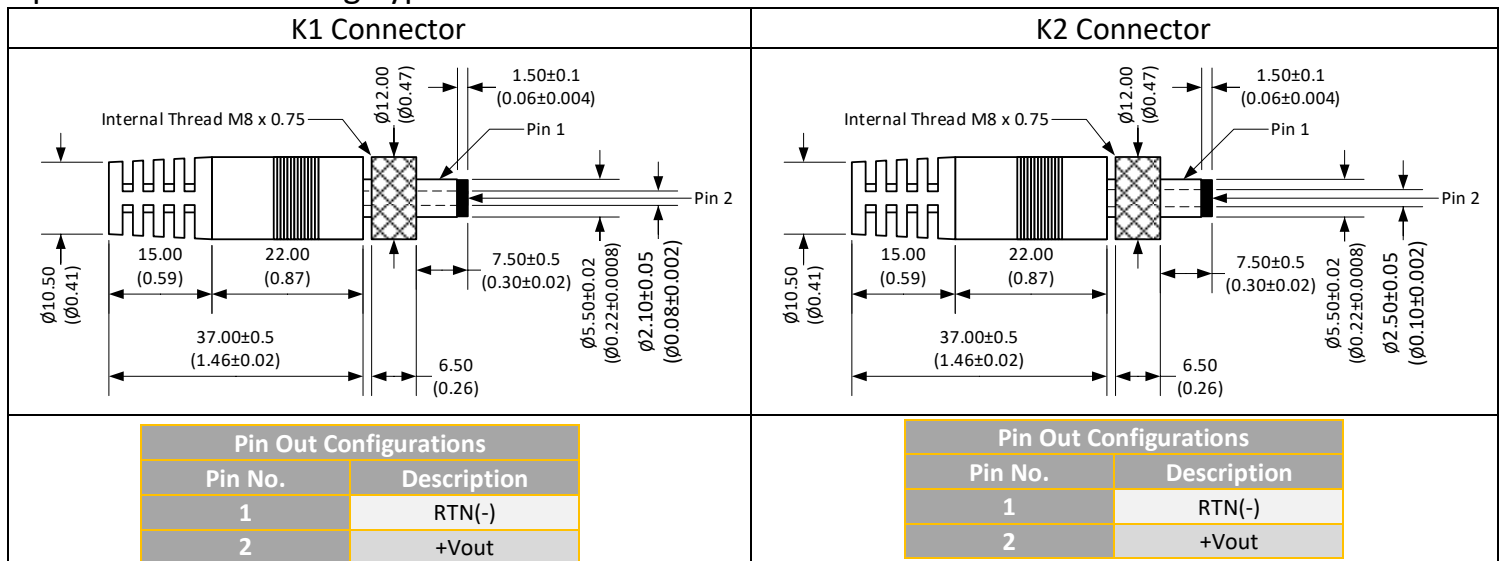
Dimensions mm(inch).



Optional USB Connector:



Optional Barrel Locking Type Connector:

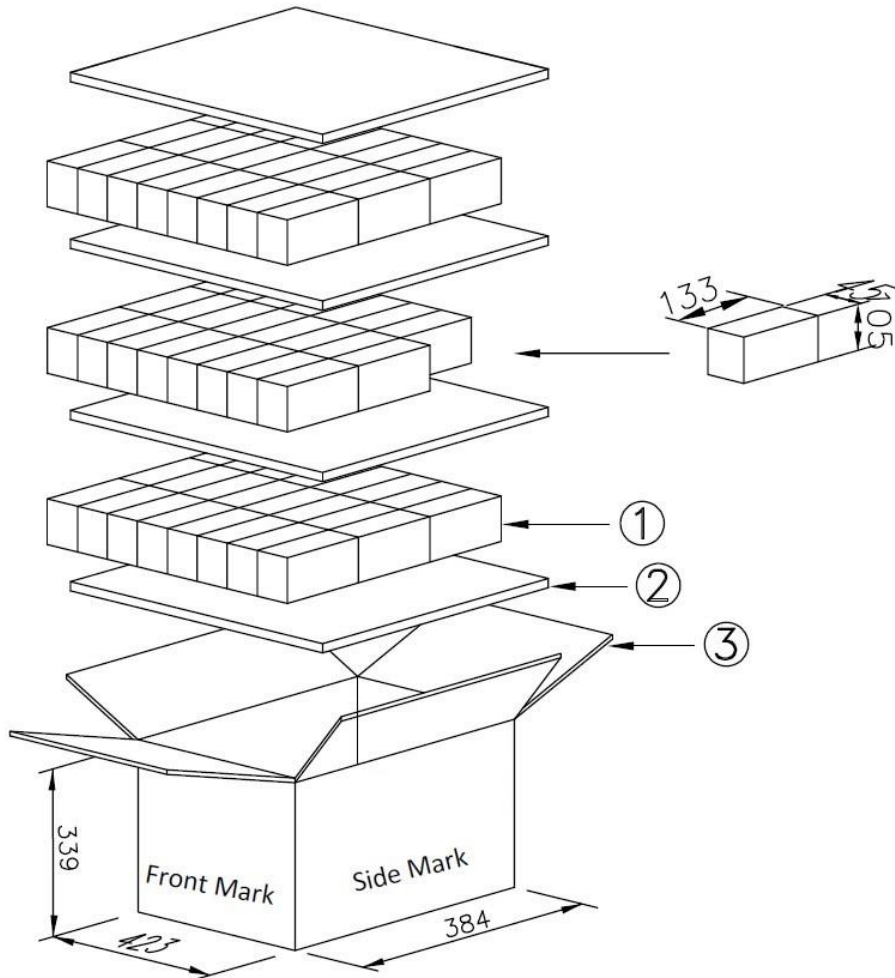


NOTE:

1. USB TYPE-C connector: Limited maximum output voltage of 20V, and maximum output current of 5A.

Packing

For US and European Plug:



Packing information:

- CARTON : L*W*H=(423*384*339) +/-5mm K=K
- CLAPBOARD : (406*367) +/-3mm B33 4PCS
- WHITE BOX : 45*133*105 C9
- Q'TY : 24*3=72PCS
- NET WEIGHT : (g)(ref)
- UNIT : mm

NOTE: **1.** Datasheets are updated as needed and as such, specifications are subject to change without notice. Once printed or downloaded, datasheets are no longer controlled by Aimtec; refer to www.aimtec.com for the most current product specifications. **2.** Product labels shown, including safety agency certifications on labels, may vary based on the date manufactured. **3.** Mechanical drawings and specifications are for reference only. **4.** All specifications are measured at an ambient temperature of 25°C, humidity<75%, nominal input voltage and at rated output load unless otherwise specified. **5.** Aimtec may not have conducted destructive testing or chemical analysis on all internal components and chemicals at the time of publishing this document. CAS numbers and other limited information are considered proprietary and may not be available for release. **6.** This product is not designed for use in critical life support systems, equipment used in hazardous environments, nuclear control systems or other such applications which necessitate specific safety and regulatory standards other the ones listed in this datasheet. **7.** Warranty is in accordance with Aimtec's standard Terms of Sale available at www.aimtec.com. **8.** Adaptors are intended for industrial use only.