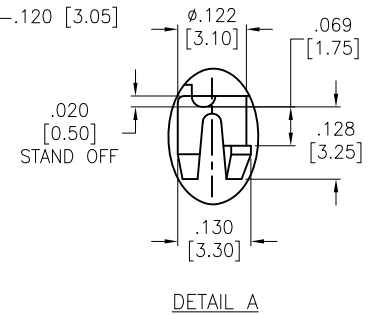
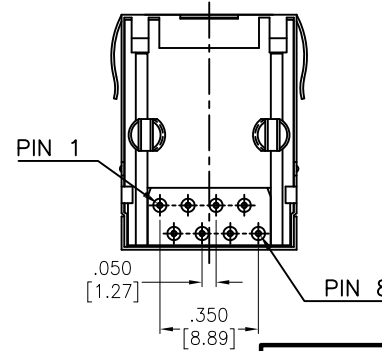
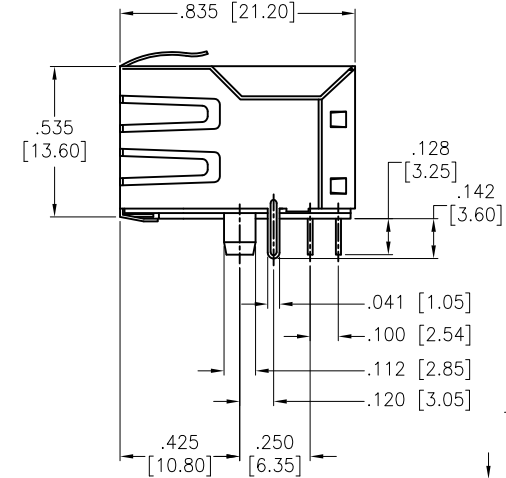
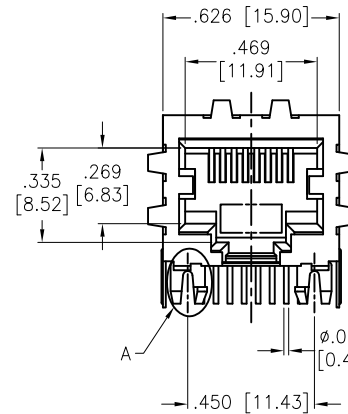
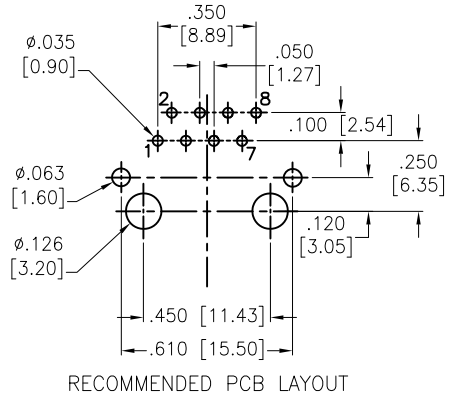
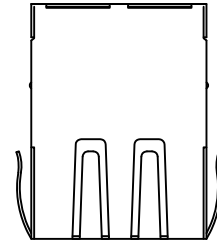


APPROVED: _____
 DATE: _____ TITLE: _____

Rev	AWO #	Description	Date	Appr
-		RELEASED	10/4/04	
A		UPDATE DRAWING	8/12/15	AY/NC
B		UPDATE DRAWING	8/12/15	AY/NC



SPECIFICATIONS:

Material:
 Insulator: PBT, Glass reinforced rated UL 94V-0
 Insulator color: Black
 Contacts: Phosphor Bronze
 Shield: Brass, Nickel plated
 Contacts Plating:
 Gold over Nickel underplate on contact area
 Gold flash over Nickel underplate on solder tails
 Electrical:
 Voltage Rating: 150 VAC max
 Current rating: 1.5 Amps max
 Contact Resistance: 20 mohms max.
 Insulation resistance: 500 Mohms min @500 VDC
 Dielectric withstanding voltage: 1500 Vrms for 1 minut
 Temperature Rating:
 Operating temperature: -40°C to +85°C
 Environmental:
 Lead free, RoHS compliant.



UNLESS OTHERWISE SPECIFIED ALL DIMENSIONS ARE INCHES [MM] TOLERANCES: EXCEPT AS NOTED INCHES HOLES .X ± .10 Ø.X ± .10 .XX ± .020 Ø.XX ± .015 .XXX ± .015 Ø.XXX ± .010		ADAM TECH INTERCONNECTS		909 Rahway Avenue, Union, NJ 07083 Phone: 908-687-5000 Fax: 908-687-5710	
APPROVALS		DATE		TITLE	
DRAWN	SS	10/4/04		MODULAR TELEPHONE JACK, 8P8C RIGHT ANGLE, PCB, FULL SHIELD	
CHECKED		SIZE	PART NO.	REV.	
APPROVED		X	MTJ-88GX1-FSD-PG6	B	
REF: S00065T		SCALE: NTS	SHEET 1 OF 1		