

SPECIFICATIONS

RoHS Compliant

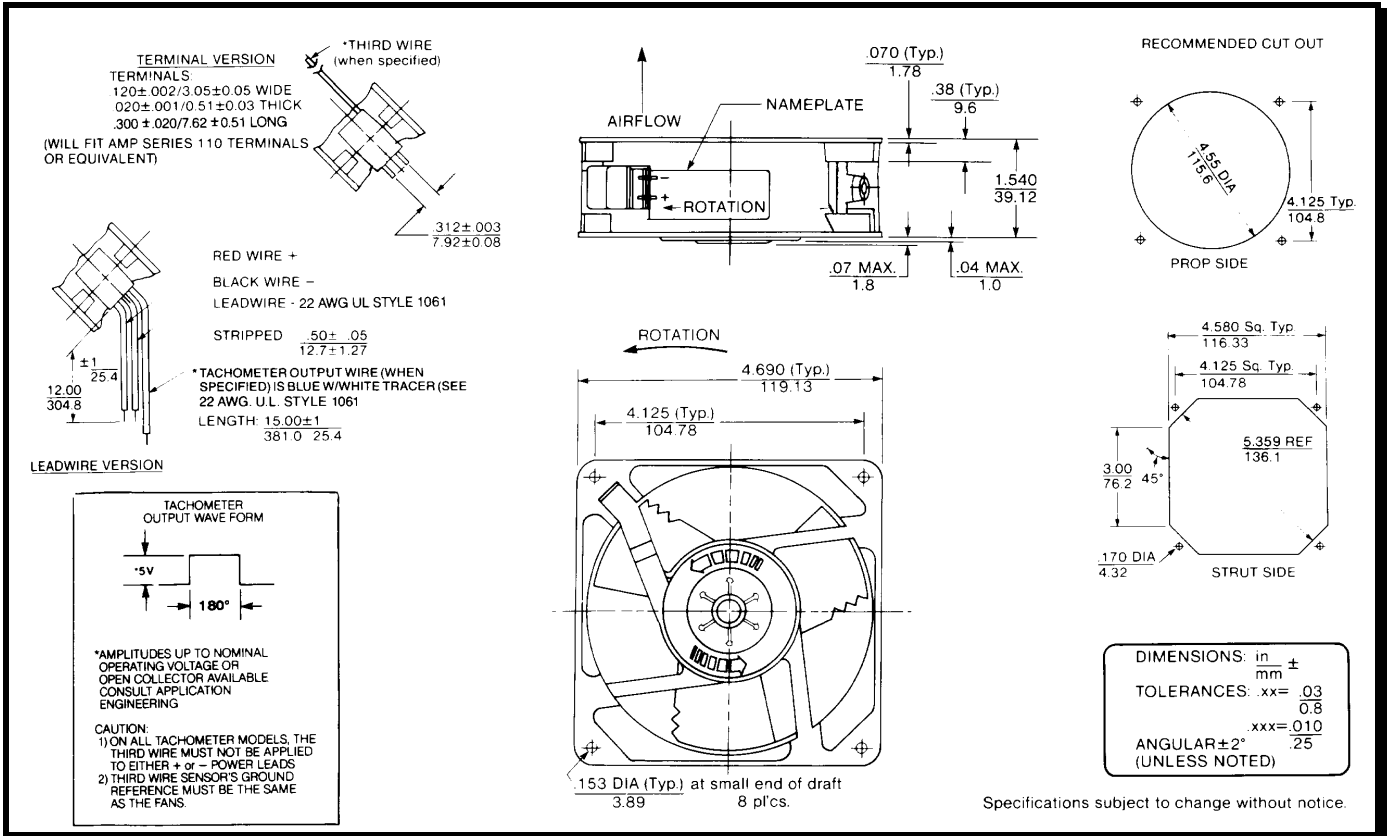


Model Number: MD24B5-E2

Part Number: 039030

November 29, 2004

Mechanical Drawing:



Motor:

Nominal Voltage	= 24 vdc
Operating Voltage Range	= 12 - 28 vdc
Running Current	= 0.250 amps
Locked Rotor Current	= 0.750 amps
Running Power	= 6.0 watts
Average Speed	= 3100 rpm
Bearings	= Ball
Air Flow	= 110 CFM
Acoustic	= 50.0 dBA

Construction:

Venturi: Die-Cast Zinc Alloy, Black
 Propeller: Plastic, Black, UL 94V-0

Life Expectancy:

This fan is designed for continuous duty life of 83,000 hours at 40°C.

Agency Approved:

UL, CE

Additional Features:

Brushless DC Motor
 Electronic Locked Rotor Protected
 Polarity Protected
 Automatic Restart Capability
 Operating Temperature: -10°C to 70°C
 Storage Temperature: -40°C to 85°C
 Environmental Type II coating

Tachometer:

Output: 5 volt TTL
 Isolated: No
 Pulses per Rev.: 2

Termination:

12" Lead wires, 22AWG, UL 1061
 Red - Fan Power, (+)
 Black - Fan Ground, (-)
 Blue/White - Tachometer, (Output)