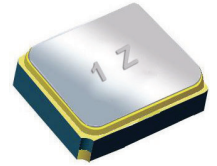


Surface Mount 1591.5 MHz SAW Filter

AFS14A35-1591.5-T2



RoHS
Compliant



1.4 x 1.1 x 0.7 mm

FEATURES:

- 1.4 x 1.1 x 0.7 mm low profile SMT package
- Low Insertion loss
- Excellent selectivity with high out-of-band rejection

APPLICATIONS:

- Wireless Communication
- Remote Control
- Cellular Phones

ELECTRICAL SPECIFICATIONS:

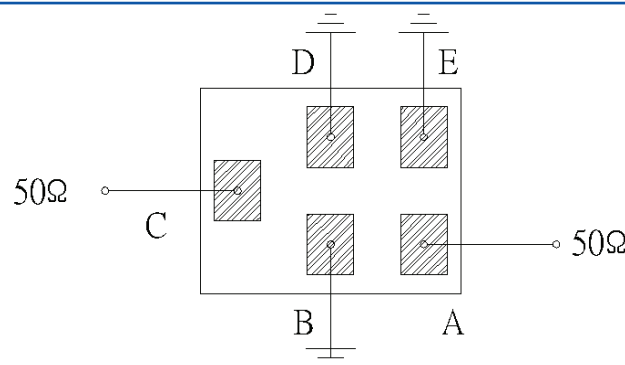
Maximum Ratings

Item	Value
Input Power Level	+10 dBm max.
DC Permissive Voltage	3.0V DC max.
Operating Temperature Range	-40°C to + 85°C
Storage Temperature Range	-40°C to + 85°C

Parameters	Minimum	Typical	Maximum	Units	Notes
Center Frequency (f_c)		1591.5		MHz	
Insertion Loss (IL)		2.4	3.7	dB	1574~1609 MHz
3-dB Bandwidth		35		MHz	
Amplitude Ripple		1.3	2.6	dB	1574~1609 MHz
Worst-Case Input / Output Return Loss	7.7	9.5		dB	1574~1609 MHz
Group Delay Variation		17	50	ns	1574~1609 MHz
Stop-band Attenuation (Referenced to 0.0 dB)	28	34		dB	10 ~1200 MHz
	28	34			1200~1450 MHz
	20	37			1450~1540 MHz
	9	31			1626~1710 MHz
	30	37			1710~2000 MHz
	30	37			2000~2500 MHz
Temperature Coefficient of frequency		-36		ppm/°C	
Source Impedance (Z_S)		50		Ω	See note # 1
Load Impedance (Z_L)		50		Ω	See note # 1

Note #1: No matching network required for operation into 50 Ω 's

TEST CIRCUIT:

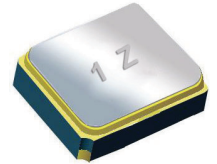


Surface Mount 1591.5 MHz SAW Filter

AFS14A35-1591.5-T2

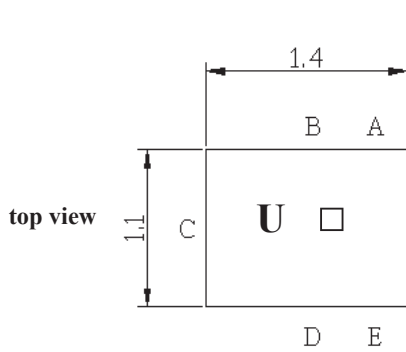


RoHS
Compliant

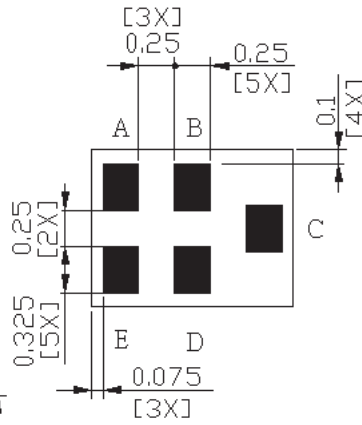


1.4 x 1.1 x 0.7 mm

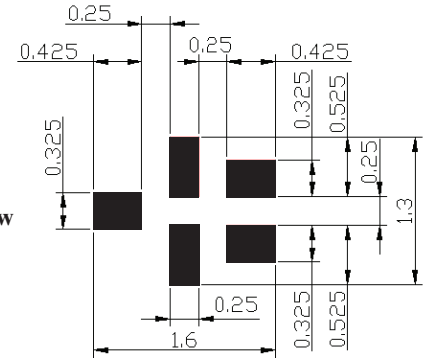
OUTLINE DIMENSIONS:



side view



Recommended Land Pattern:



■ : Land Pattern
Unit : mm

C:	Input
A:	Output
B, D, E:	Ground

*All Dimensions are in mm

□ Year/Month Code (Follow the table)

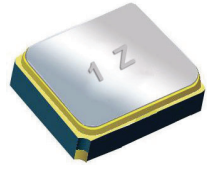
Year/Month	1	2	3	4	5	6	7	8	9	10	11	12
2009	A	B	C	D	E	F	G	H	J	K	L	M
2010	N	P	Q	R	S	T	U	V	W	X	Y	Z
2011	A	B	C	D	E	F	G	H	J	K	L	M
2012	N	P	Q	R	S	T	U	V	W	X	Y	Z
2013	A	B	C	D	E	F	G	H	J	K	L	M
2014	N	P	Q	R	S	T	U	V	W	X	Y	Z

Surface Mount 1591.5 MHz SAW Filter

AFS14A35-1591.5-T2



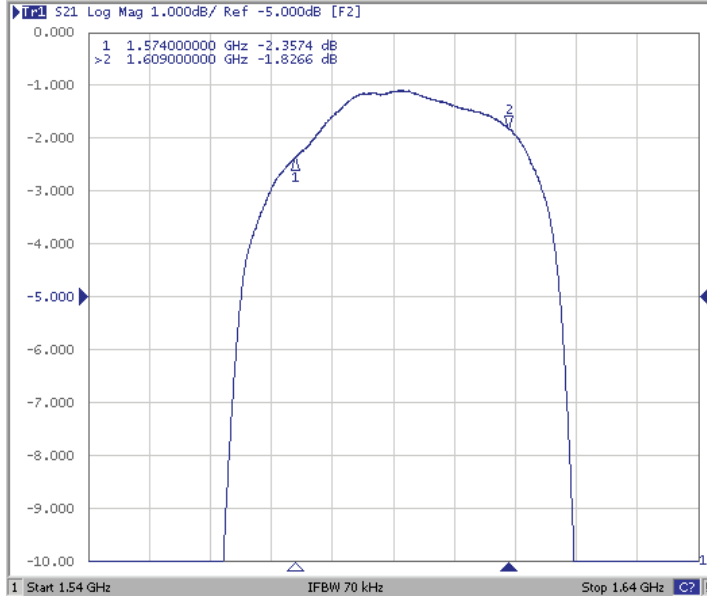
RoHS
Compliant



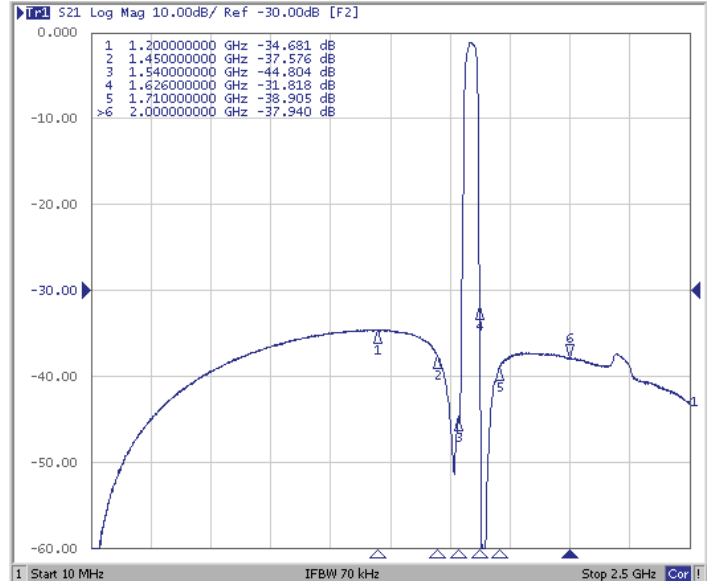
1.4 x 1.1 x 0.7 mm

FREQUENCY CHARACTERISTICS:

Filter Frequency Response (Narrowband)

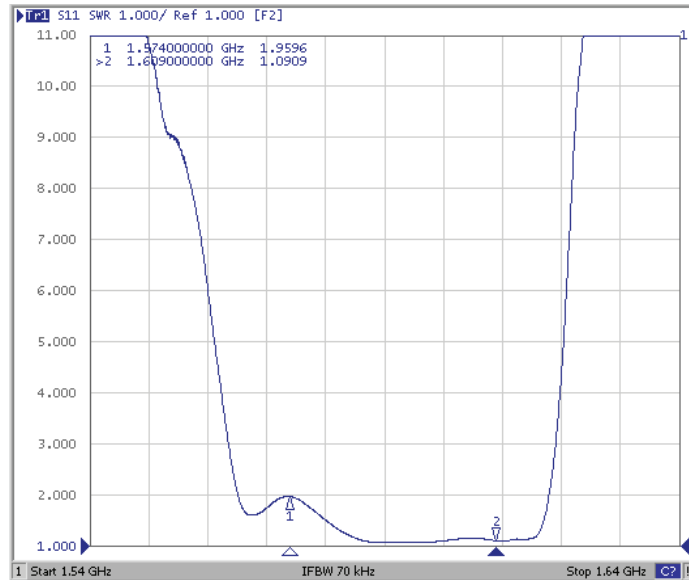


Filter Frequency Response (Wideband)

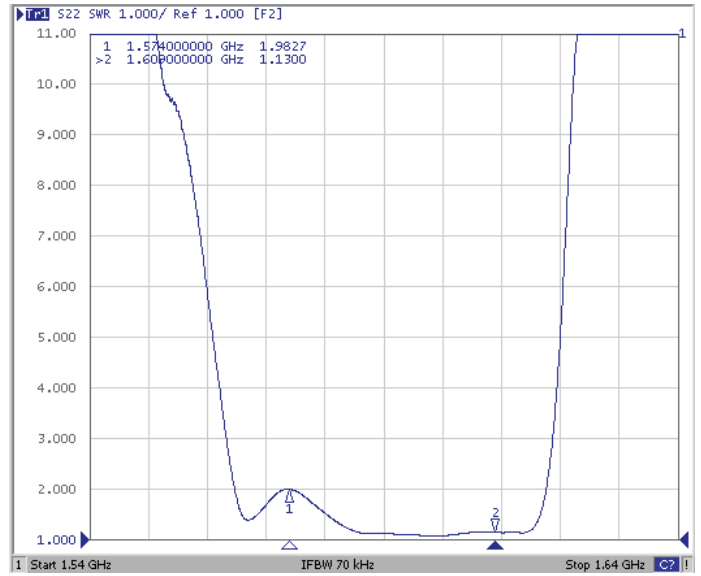


REFLECTION FUNCTIONS:

S11



S22

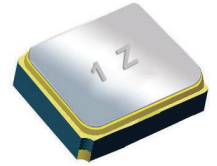


Surface Mount 1591.5 MHz SAW Filter

AFS14A35-1591.5-T2

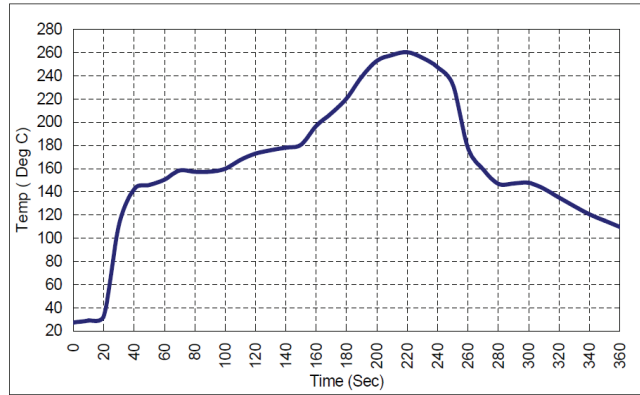


RoHS
Compliant



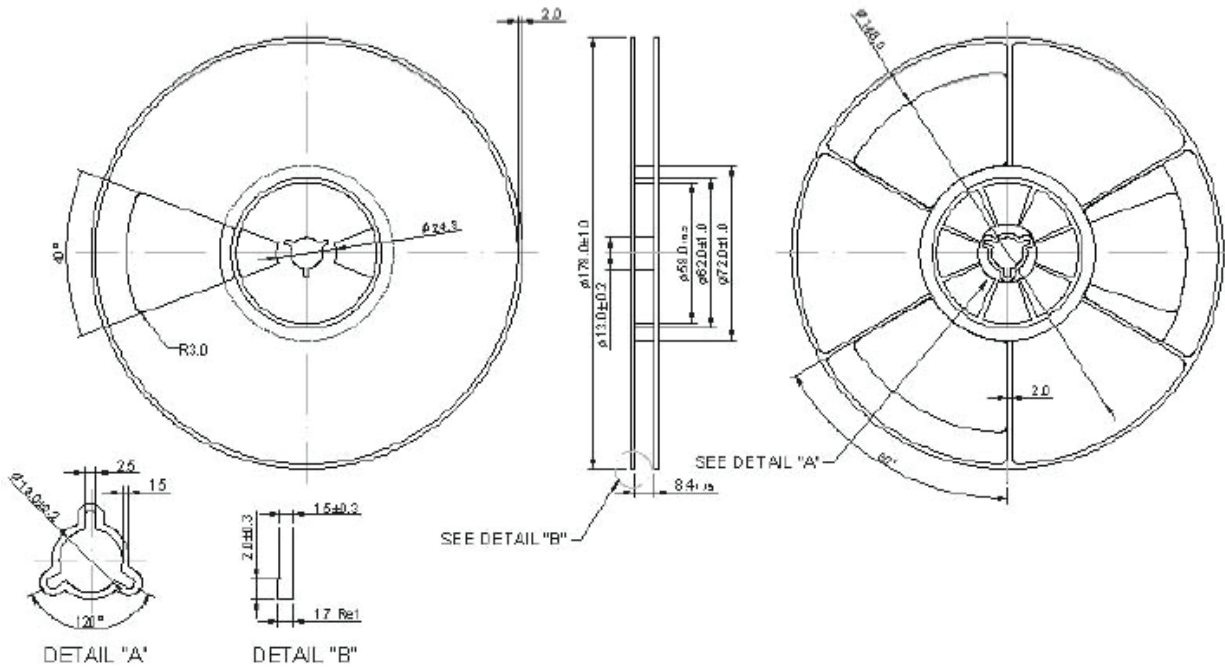
1.4 x 1.1 x 0.7 mm

REFLOW PROFILE:



PACKAGING: 2000 Units/Reel

Reel Count : 7" = 2k units



ATTENTION: Abracon Corporation's products are COTS – Commercial-Off-The-Shelf products; suitable for Commercial, Industrial and, where designated, Automotive Applications. Abracon's products are not specifically designed for Military, Aviation, Aerospace, Life-dependant Medical applications or any application requiring high reliability where component failure could result in loss of life and/or property. For applications requiring high reliability and/or presenting an extreme operating environment, written consent and authorization from Abracon Corporation is required. Please contact Abracon Corporation for more information.

ABRACON IS
ISO 9001:2008
CERTIFIED



Visit www.abracon.com for Terms & Conditions of Sale
30332 Esperanza, Rancho Santa Margarita, California 92688
tel 949-546-8000 | fax 949-546-8001 | www.abracon.com

Revised: 06.21.12