

6

5

4

3

2

1

E

E

D

D

C

C

B

B

A

A

6

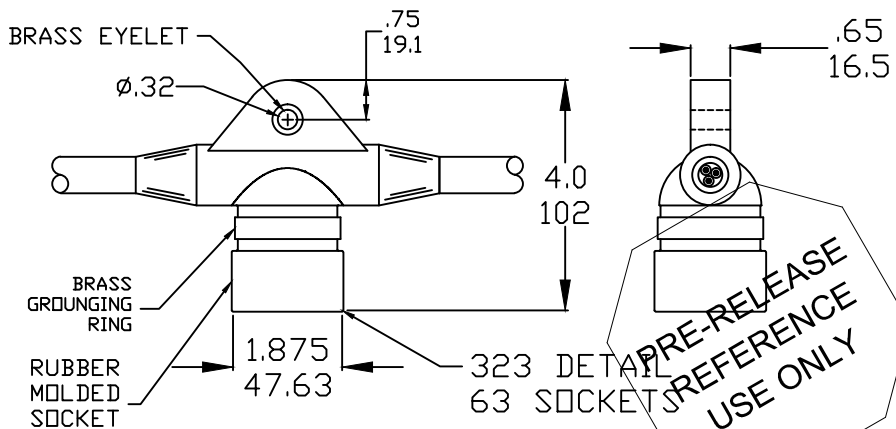
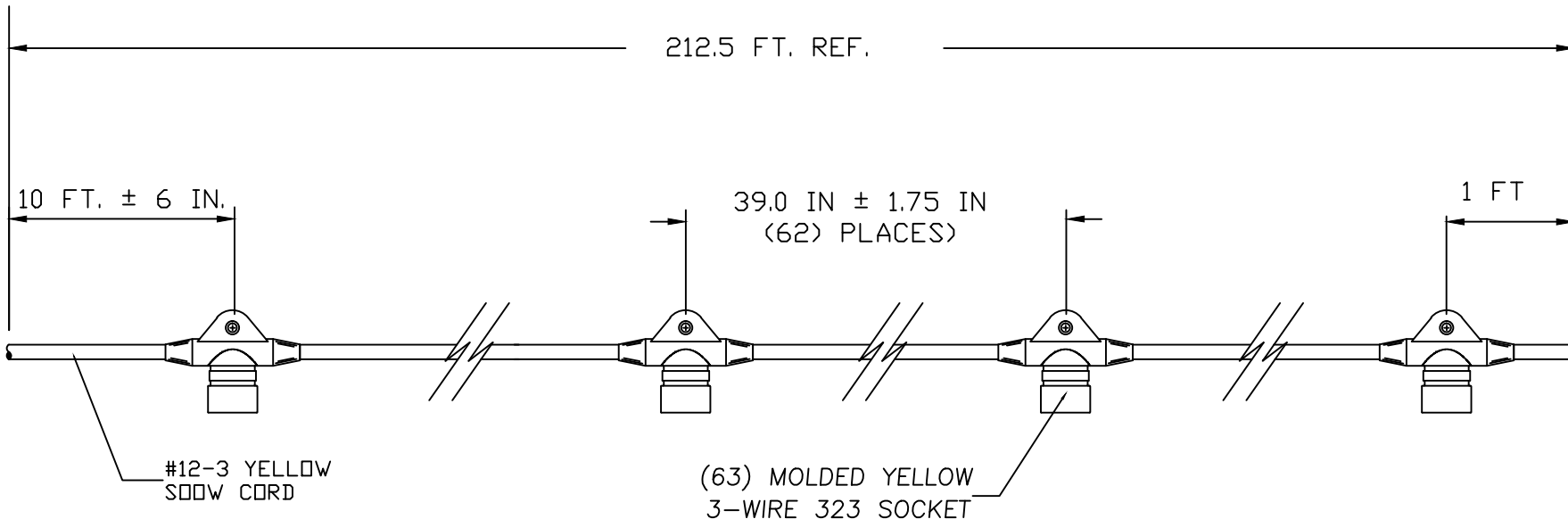
5

4

3

2

1



CUSTOMER APPROVAL DWG EC NO: WNA2011-0424 DRWN: HKNEELAN 2011/02/16 CHKD: HKNEELAN APPR: DTITUS 2011/02/18	QUALITY SYMBOLS ▽=0 ▽C=0	GENERAL TOLERANCES (UNLESS SPECIFIED)		DIMENSION STYLE IN/MM		SCALE NTS	DESIGN UNITS INCH	THIRD ANGLE PROJECTION		
		4 PLACES ±-- ±--	mm ±--	INCH ±--	DRAWN BY TVICKERS	DATE 2010/06/02	TITLE STRINGLIGHT 212.5 FT. (63) 323@39 IN. CENTERS 10 FT. LEAD & 1 FT TAIL			
		3 PLACES ±-- ±.005			CHECKED BY HKNEELAN	DATE 2011/02/17				
		2 PLACES ±0.13 ±.010			APPROVED BY DTITUS	DATE 2011/02/18	MOLEX INCORPORATED			
1 PLACE ±0.25 ±.020			MATERIAL NO. 1301060169		DOCUMENT NO. SD-130106-029					
DRAFT WHERE APPLICABLE MUST REMAIN WITHIN DIMENSIONS		ANGULAR ±.5°		THIS DRAWING CONTAINS INFORMATION THAT IS PROPRIETARY TO MOLEX INCORPORATED AND SHOULD NOT BE USED WITHOUT WRITTEN PERMISSION						