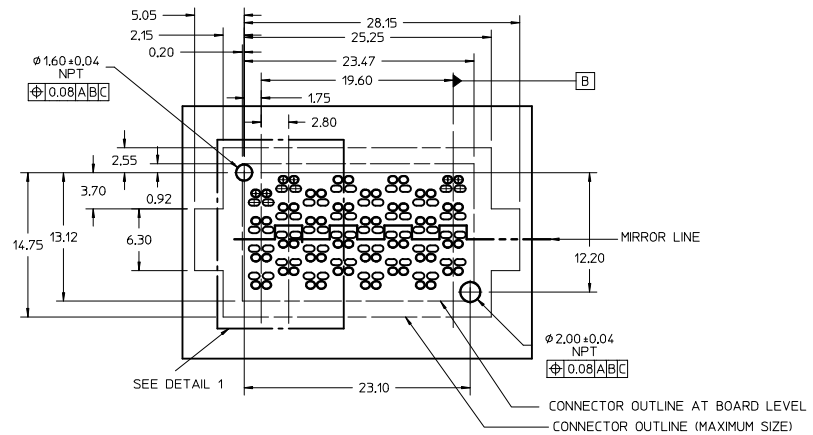
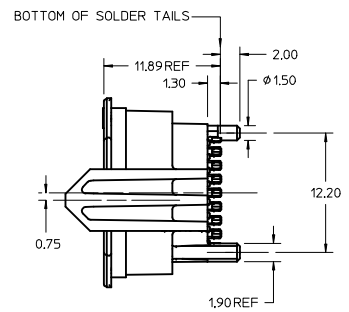
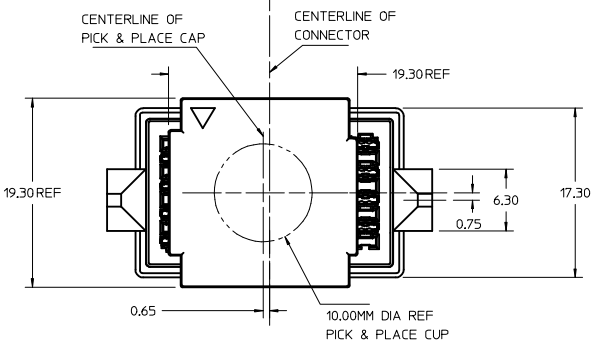
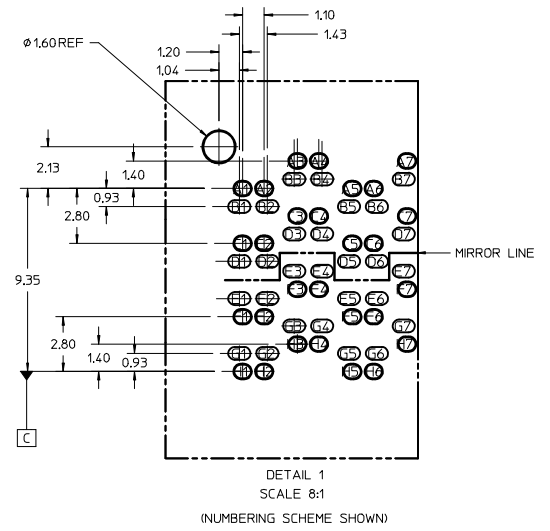
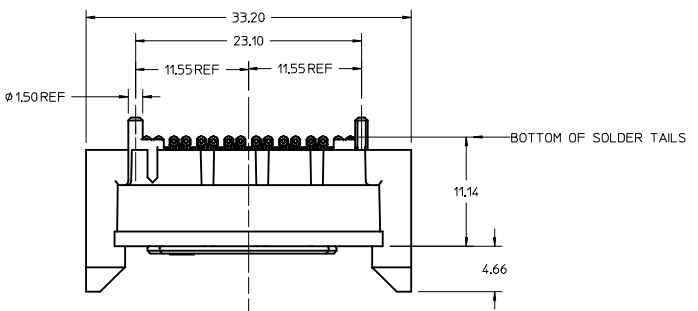


NOTES:

- HOUSING MATERIAL: LCP, GLASS FILLED, UL 94V-0, BLACK
CONTACT MATERIAL: HIGH PERFORMANCE COPPER ALLOY
SOLDER CHARGE: LEAD FREE SOLDER ALLOY
- FINISH:
CONTACTS: SELECT GOLD: 30 HNCES MIN ON CONTACT AREA,
AND 100H INCHES MIN TIN ON SOLDERABLE PORTION
OF SOLDER TAILS, OVER 50 HNCES MIN NICKEL OVERALL.
- PRODUCT SPECIFICATION: PS-170807-0001
- PACKAGING SPECIFICATION: PK-170814-002
- APPLICATION SPECIFICATION: AS-170807-0001
- MATES TO THE 1708070037 PLUG.



- FOOT PRINT NOTES:
- DATUM -A- IS THE TOP OF THE PCB.
 - ALL DIMENSIONS ARE BASICS.
 - ROW A AND C PADS (SIGNAL PADS) ARE COPPER DEFINED.
 - ROW B AND D PADS (SHIELD PADS) ARE SOLDER MASK DEFINED.
 - SEE APPLICATION SPECIFICATION FOR ADDITIONAL INFORMATION.



UPDATE REVISION IEC NO: UCP2016-1035 DRAWN: KANG 2015/09/14 CHECKED: JESSIECHUA 2015/09/30 APPR: SHONG 2015/09/30	QUALITY SYMBOLS ▽=0 ▽=0 ▽=0	GENERAL TOLERANCES (UNLESS SPECIFIED)		DIMENSION STYLE MM ONLY	SCALE 4:1	DESIGN UNITS METRIC	THIRD ANGLE PROJECTION		
		4 PLACES ± --- INCH 3 PLACES ± --- INCH 2 PLACES ± 0.15 INCH 1 PLACE ± --- INCH 0 PLACE ± --- INCH	mm --- --- --- ---	DRAWN BY JESSIECHUA	DATE 2014/05/30	CHECKED BY SHONG	DATE 2014/05/30	APPROVED BY SHONG	DATE 2014/06/03
		ANGULAR ±1/2°		MATERIAL NO. 1708140037	DOCUMENT NO. SD-170814-0037				
		DRAFT WHERE APPLICABLE MUST REMAIN WITHIN DIMENSIONS		SIZE D	THIS DRAWING CONTAINS INFORMATION THAT IS PROPRIETARY TO MOLEX INCORPORATED AND SHOULD NOT BE USED WITHOUT WRITTEN PERMISSION				

RECEPTACLE
4X8, 8MM, 85 OHMS
NEOSCALE

molex

SHEET NO.
1 OF 1