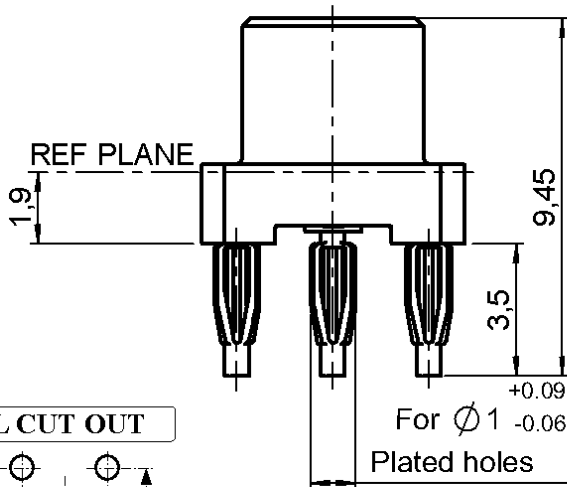
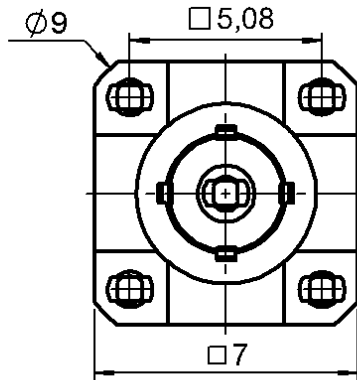


STRAIGHT JACK RECEPTACLE FOR PCB

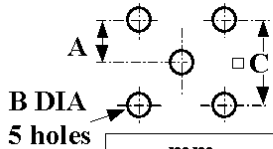
R113.416.000

PRESS FIT LEGS

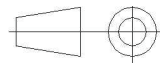
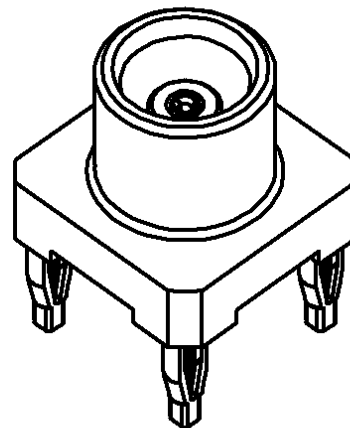
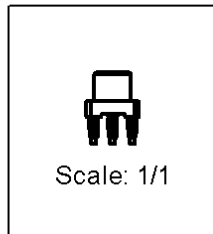
Series : MCX



PANEL CUT OUT



	mm	
	Maxi	mini
A	2.565	2.515
B	1.09	0.94
C	5.105	5.055



All dimensions are in mm.

COMPONENTS	MATERIALS	PLATING (µm)
BODY	BRASS	GOLD 0.2 OVER NICKEL 2
CENTER CONTACT	BERYLLIUM COPPER	GOLD 1.3 OVER NICKEL 2
OUTER CONTACT	-	-
INSULATOR	PTFE	-
GASKET	-	-
OTHERS PARTS	PHOSPHOR BRONZE	TIN 3 OVER NICKEL 2
-	-	-
-	-	-

Issue : 0540 D

In the effort to improve our products, we reserve the right to make changes judged to be necessary.



STRAIGHT JACK RECEPTACLE FOR PCB

R113.416.000

PRESS FIT LEGS

Series : **MCX**

PACKAGING

SPECIFICATION

Standard	Unit	Other
100	'W' option	Contact us

ELECTRICAL CHARACTERISTICS

ENVIRONMENTAL

Impedance		50 Ω
Frequency		0-6 GHz
VSWR	1.05 +	0.050 x F(GHz) Maxi
Insertion loss		0.03* √F(GHz) dB Maxi
RF leakage	- (NA - F(GHz)) dB Maxi
Voltage rating		335 Veff Maxi
Dielectric withstanding voltage		1000 Veff mini
Insulation resistance		1000 MΩ mini

Operating temperature	-40/+85 ° C
Hermetic seal	NA Atm.cm3/s
Panel leakage	NA

OTHER CHARACTERISTICS

Assembly instruction **NA**

Others :

* Coaxial Transmission Line Only

MECHANICAL CHARACTERISTICS

Center contact retention		
Axial force – Mating end	10	N mini
Axial force – Opposite end	10	N mini
Torque	NA	N.cm mini
Recommended torque		
Mating	NA	N.cm
Panel nut	NA	N.cm
Mating life	500	Cycles mini
Weight	0.970	g

Issue : 0540 D

In the effort to improve our products, we reserve the right to make changes judged to be necessary.



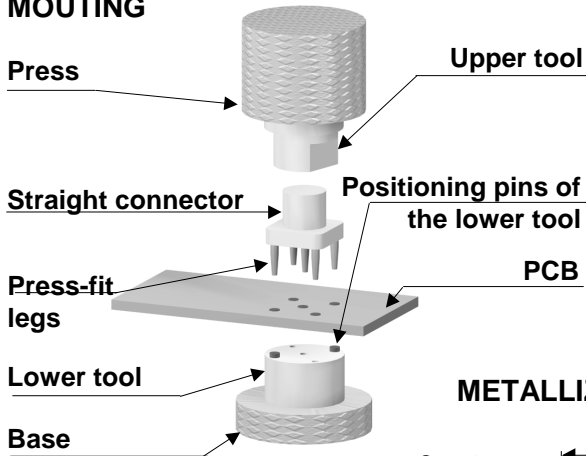
STRAIGHT JACK RECEPTACLE FOR PCB

R113.416.000

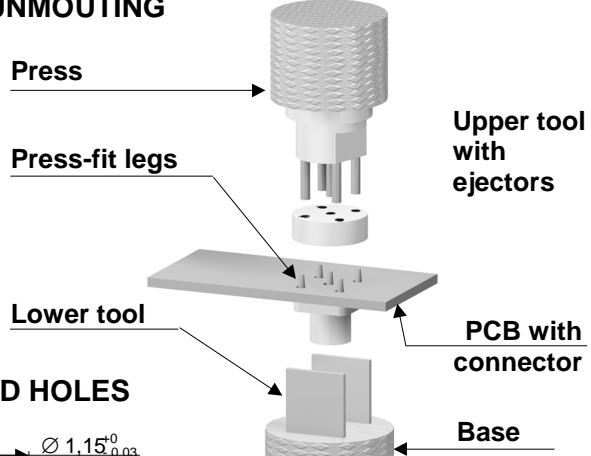
PRESS FIT LEGS

Series : MCX

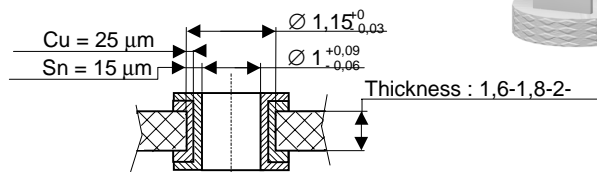
MOUNTING



UNMOUNTING

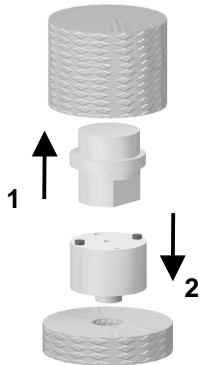


METALLIZED HOLES



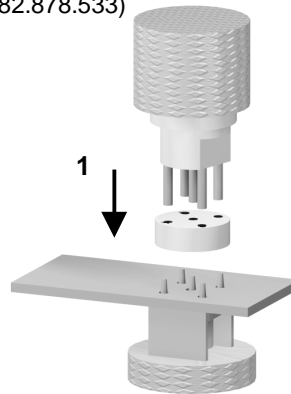
1

Slide the upper tool (R282.878.140) into the machine (press).
Slide the lower tool (R282.878.523) into the base.



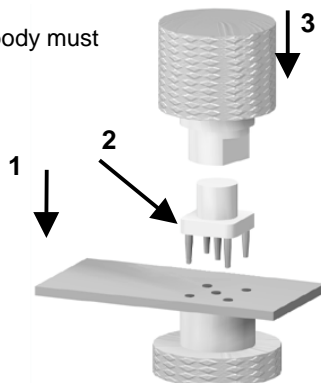
1

Place correctly the PCB and the connector on the lower tool.(R282.878.533)



2

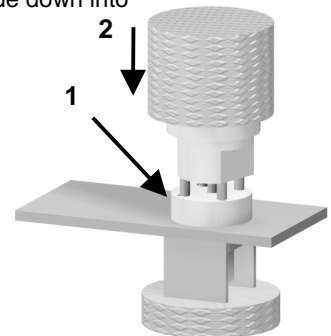
Place correctly the PCB on the lower tool.
Introduce the press-fit legs into the holes of the PCB.
Push on top (100N mini per press-fit leg) until total insertion.
Note: the connector body must rest on the PCB.



2

Place the upper tool (R282.878.513) at the back of the connector and place correctly the ejectors :
- on the press-fit legs (if their length exceed the PCB thickness)
- in the holes of the PCB (if not).
Press the upper tool (100N mini per press-fit leg) to remove the connector until it slide down into the lower tool.

CAUTION :
A plated hole of the PCB can be used up to 3 times.



Issue : 0540 D

In the effort to improve our products, we reserve the right to make changes judged to be necessary.

