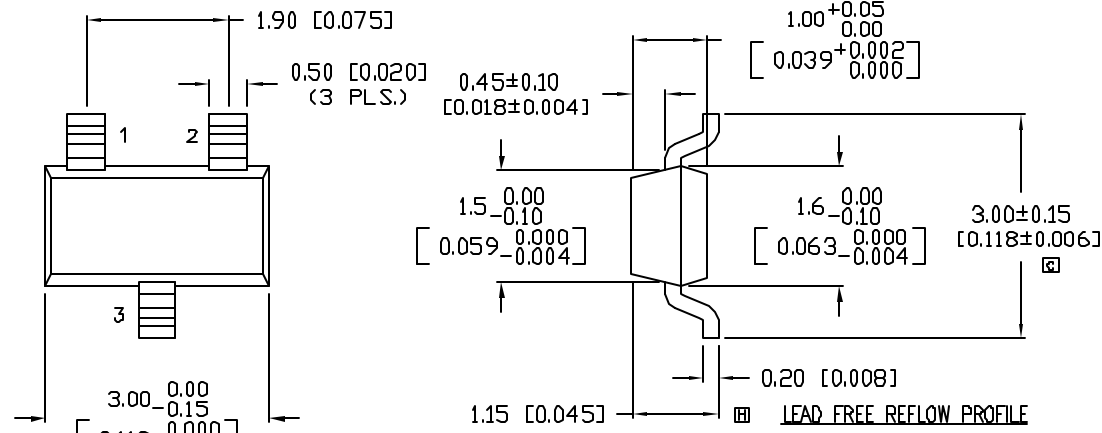
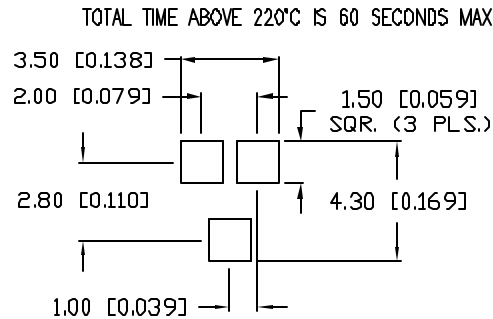
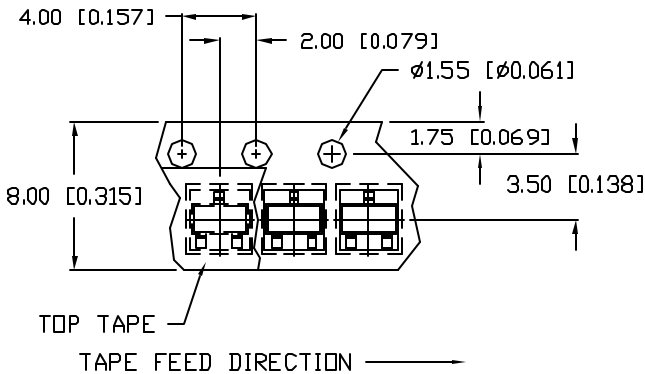
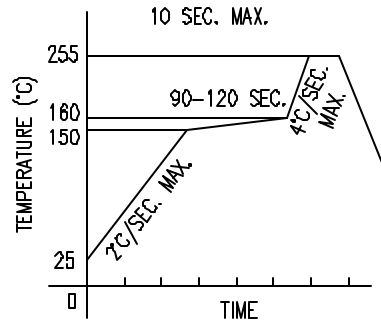
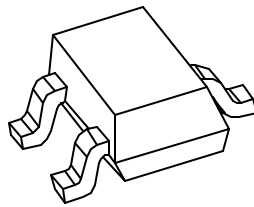
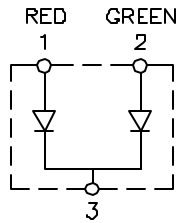


UNCONTROLLED DOCUMENT



TOP VIEW POLARITY



*UNLESS OTHERWISE SPECIFIED TOLERANCES PER DECIMAL PRECISION ARE: X=±1 (±0.039), XX=±0.5 (±0.020), XXX=±0.25 (±0.010), XXXX=±0.127 (±0.005). LEAD SIZE=±0.05 (0.002), LEAD LENGTH=±0.75 (±0.030), MIN.= +DECIMAL PRECISION -0.00, MAX.= +0.00 -DECIMAL PRECISION

PART NUMBER
SSL-LX15IGC-RP-TR

REV.
H

REV.	E.C.N. NUMBER AND REVISION COMMENTS	DATE
A	CORRECTED SOLDER SPEC.	11.6.95
B	E.C.N. #10165.	5.21.96
C	E.C.N. #10412.	4.28.98
D	E.C.N. #10BRDR. & REDRAWN.	1.15.01
E	E.C.N. #10752.	5.25.01
F	E.C.N. #10877.	6.10.02
G	E.C.N. #10901.	8.22.02
H	E.C.N. #11148.	2.23.05

ELECTRO-OPTICAL CHARACTERISTICS $T_A=25^\circ\text{C}$ $I_f=20\text{mA}$

PARAMETER	MIN	TYP	MAX	UNITS	TEST COND
PEAK WAVELENGTH		635 (RED)		nm	
		565 (GREEN)		nm	
FORWARD VOLTAGE (R/G)		2.0/2.2	2.5/2.6	V _f	
REVERSE VOLTAGE	5.0			V _r	I _r =100µA
AXIAL INTENSITY		10		mcd	I _f =20mA
VIEWING ANGLE		140		2x theta	
EMITTED COLOR:	RED/GREEN				
EPOXY LENS FINISH:	WATER CLEAR				

LIMITS OF SAFE OPERATION AT 25°C PER CHIP

PARAMETER	COLORS	MAX	UNITS
PEAK FORWARD CURRENT*		160	mA
STEADY CURRENT	(R/G)	30/25	mA
POWER DISSIPATION		100	mW
DERATE FROM 25°C		-1.2	mW/°C
OPERATING, STORAGE TEMP.		-30 TO +85	°C

* $t < 10\mu\text{s}$

NOTES:

- 1. 3,000 PIECES PER REEL.
- 2. PIN 3 IS ORIENTED TOWARDS THE TAPE SPROCKET HOLE.
- 3. LABEL MUST BE PERMANENTLY ATTACHED TO EACH REEL.



UNCONTROLLED DOCUMENT

REV.
H

PART NUMBER
SSL-LX15IGC-RP-TR

SOT-23 SURFACE MOUNT 635nm RED/565nm GREEN LED,
WATER CLEAR LENS, TAPE AND REEL.

CONFIDENTIAL INFORMATION

THE INFORMATION CONTAINED IN THIS DOCUMENT IS THE PROPERTY OF LUMEX INC. EXCEPT AS SPECIFICALLY AUTHORIZED IN WRITING BY LUMEX INC., THE HOLDER OF THIS DOCUMENT SHALL KEEP ALL INFORMATION CONTAINED HEREIN CONFIDENTIAL AND SHALL PROTECT SAME IN WHOLE OR IN PART FROM DISCLOSURE AND DISSEMINATION TO ALL THIRD PARTIES.

RELIABILITY NOTE

OUR MANY YEARS OF EXPERIENCE DATA ACCUMULATION INDICATE THAT SOLDER HEAT IS A MAJOR CAUSE OF EARLY AND FUTURE FAILURE. PLEASE PAY ATTENTION TO YOUR SOLDERING PROCESS.



290 E. HELEN ROAD
PALATINE, IL 60067-6976
PHONE: +1.847.359.2790
US WEB: www.lumex.com
TW WEB: www.lumex.com.tw

DRAWN BY: BC	CHECKED BY:	APPROVED BY:	DATE: 2.23.95
			PAGE: 1 OF 1
			SCALE: N/A