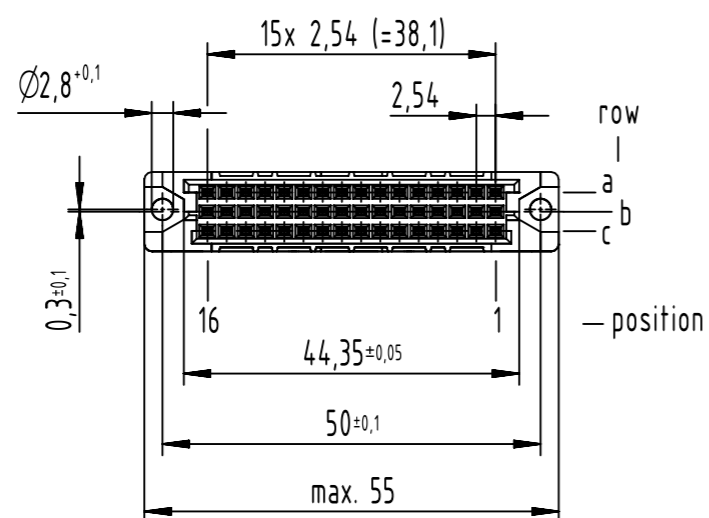
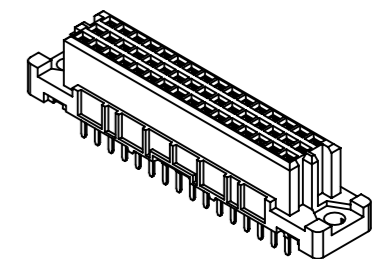
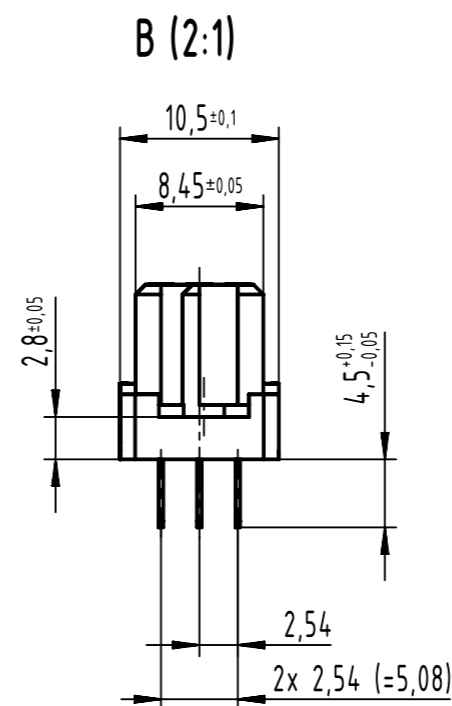
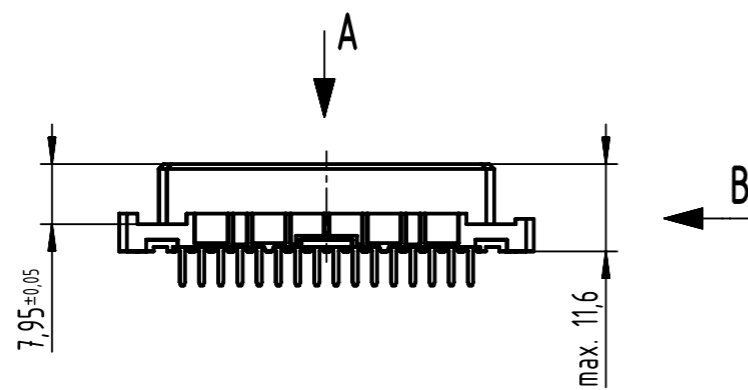


48 solder contacts

☒ = solder contact

□ = position without contact



09 23 248 5825 015	Au30
09 23 248 7825	3
09 23 248 6825	2
09 23 248 2825	1
part no.	performance level

further information see product data sheet

 All rights reserved Department EL PD HARTING D-32339 Espelkamp	All Dimensions in mm Original Size DIN A3	Scale 1:1	Free size tol. IEC 60603-2	Ref. Sub.
	Created by STORCK	Inspected by LEHNERT	Standardisation	Date 2021-11-05
Title DIN Signal type 2C female solder 4.5 48-pole				Doc-Key / ECM-Nr. 100181948/UGD/053/C 500000204801
Type TB		Number 0923248X825		Rev. C
				Page 1/1