

**Data**

**Connection data**

Pole No. 7

**Physical data**

Width 35 mm / 1.378 inch

Height 18.3 mm / 0.72 inch

Depth 36.5 mm / 1.437 inch

**Material data**

Color gray

Fire load 0.218 MJ

Weight 7.8 g

Subject to changes. Please also observe the further product documentation!

## Commercial data

|                       |                   |
|-----------------------|-------------------|
| Product Group         | 18 (X-COM-System) |
| PU (SPU)              | 25 Stück          |
| Packaging type        | box               |
| Country of origin     | DE                |
| GTIN                  | 4017332715126     |
| Customs tariff number | 39269097900       |

## Optional accessories

### Mounting

#### Mounting accessories



**Item no.: 209-173**

Fixing screw; for cable clamp; 7 or more poles

[www.wago.com/209-173](http://www.wago.com/209-173)



**Item no.: 209-174**

Cable clamp; for strain relief; 7 or more poles

[www.wago.com/209-174](http://www.wago.com/209-174)

### Marking accessories

#### Marker



**Item no.: 209-501/000-007**

WSB marking card; as card; not stretchable; plain; snap-on type; gray

[www.wago.com/209-501/000-007](http://www.wago.com/209-501/000-007)



**Item no.: 209-501/000-012**

WSB marking card; as card; not stretchable; plain; snap-on type; orange

[www.wago.com/209-501/000-012](http://www.wago.com/209-501/000-012)



**Item no.: 209-501/000-024**

WSB marking card; as card; not stretchable; plain; snap-on type; violet

[www.wago.com/209-501/000-024](http://www.wago.com/209-501/000-024)



**Item no.: 209-501/000-023**

WSB marking card; as card; not stretchable; plain; snap-on type; green

[www.wago.com/209-501/000-023](http://www.wago.com/209-501/000-023)



**Item no.: 209-501/000-017**

WSB marking card; as card; not stretchable; plain; snap-on type; light green

[www.wago.com/209-501/000-017](http://www.wago.com/209-501/000-017)

Subject to changes. Please also observe the further product documentation!

WAGO Kontakttechnik GmbH & Co. KG

Hansastr. 27

32423 Minden

Phone: +49571 887-0 | Fax: +49571 887-169

Email: [info.de@wago.com](mailto:info.de@wago.com) | Web: [www.wago.com](http://www.wago.com)

Do you have any questions about our products?

We are always happy to take your call at +49 (571) 887-44222.



**Item no.: 209-501**  
WSB marking card; as card; not stretchable; plain; snap-on type; white

[www.wago.com/209-501](http://www.wago.com/209-501)



**Item no.: 209-501/000-006**  
WSB marking card; as card; not stretchable; plain; snap-on type; blue

[www.wago.com/209-501/000-006](http://www.wago.com/209-501/000-006)



**Item no.: 209-501/000-005**  
WSB marking card; as card; not stretchable; plain; snap-on type; red

[www.wago.com/209-501/000-005](http://www.wago.com/209-501/000-005)



**Item no.: 209-501/000-002**  
WSB marking card; as card; not stretchable; plain; snap-on type; yellow

[www.wago.com/209-501/000-002](http://www.wago.com/209-501/000-002)

## Downloads

### Documentation

#### Bid Text

|                         |              |                |          |
|-------------------------|--------------|----------------|----------|
| 769-1607<br>X81 - Datei | Feb 19, 2019 | xml<br>2.7 kB  | Download |
| 769-1607<br>doc - Datei | May 23, 2017 | doc<br>23.6 kB | Download |

#### Additional Information

|                        |             |               |          |
|------------------------|-------------|---------------|----------|
| Technical explanations | Apr 3, 2019 | pdf<br>2.2 MB | Download |
|------------------------|-------------|---------------|----------|

## CAD/CAE-Data

### CAD data

|                       |     |          |
|-----------------------|-----|----------|
| 2D/3D Models 769-1607 | URL | Download |
|-----------------------|-----|----------|

### CAE data

|                            |     |          |
|----------------------------|-----|----------|
| EPLAN Data Portal 769-1607 | URL | Download |
| WSCAD Universe 769-1607    | URL | Download |
| ZUKEN Portal 769-1607      | URL | Download |

Subject to changes. Please also observe the further product documentation!

WAGO Kontakttechnik GmbH & Co. KG  
Hansastr. 27  
32423 Minden  
Phone: +49571 887-0 | Fax: +49571 887-169  
Email: [info.de@wago.com](mailto:info.de@wago.com) | Web: [www.wago.com](http://www.wago.com)

Do you have any questions about our products?  
We are always happy to take your call at +49 (571) 887-44222.

## Environmental Product Compliance

### Compliance Search

Environmental Product Compliance 769-1607

URL

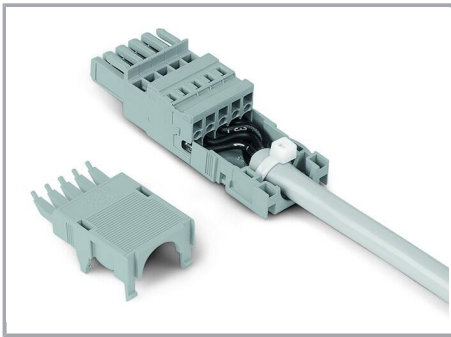
Download

Strain relief housing; gray

---

## Installation Notes

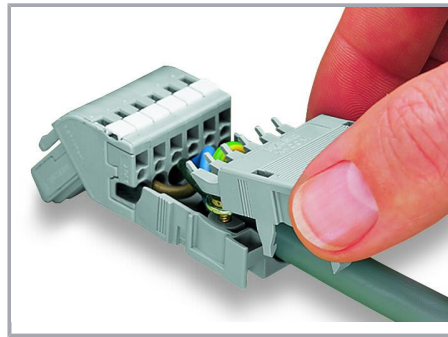
### Installation



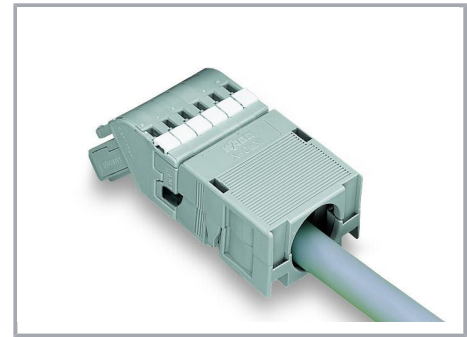
2- to 5-pole strain relief housings feature one cable outlet (rear side).

6- to 9-pole strain relief housings feature two cable outlets and one cover.

10- to 16-pole strain relief housings feature three cable outlets and two covers.



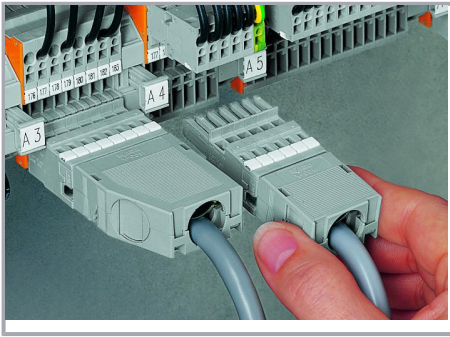
Snapping on a strain relief housing.



Snap-on type strain relief housing, consists of strain relief support and housing, 6-pole and 1-conductor female plugs, angled, 6-pole

### Application

Subject to changes. Please also observe the further product documentation!



#### Application

Snap-on type strain relief housings for 769 Series

Subject to changes. Please also observe the further product documentation!