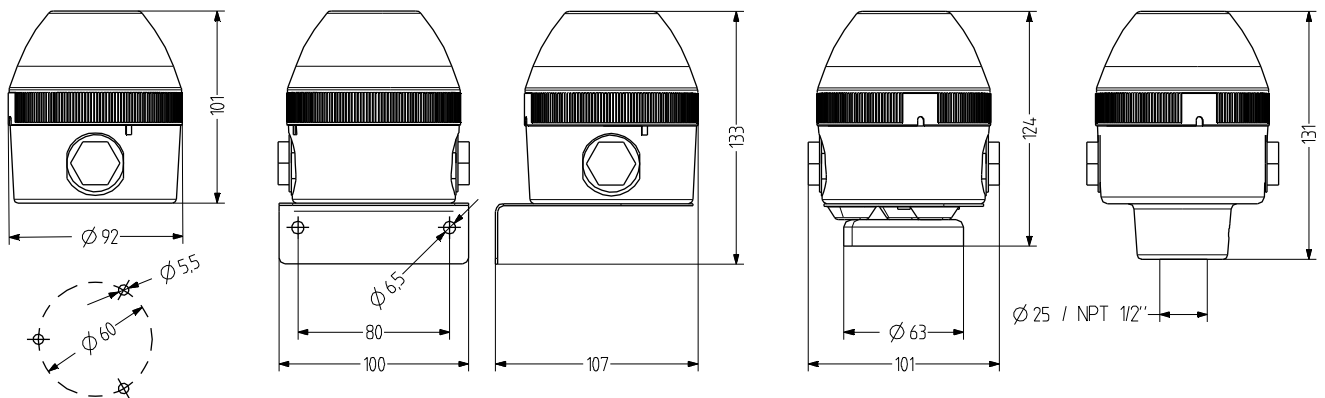


NES LED steady/flashing beacon

- Ø 90 mm LED steady/flashing beacon
- Wide voltage range due to switched-mode power supply technology
- Good signalling effect
- High degree of protection IP 65 & IP 67
- Modern LED technology – 3 high-power LEDs
- Steady and flashing light, can be switched externally
- For industrial and general applications
- 4 types of mounting



TECHNICAL DATA

Housing	Ø 90 mm, Polycarbonate black (RAL 9005)
Lens	Polycarbonate, ribbed inside orange, red, clear, blue, green or yellow
Type of mounting	horizontal, vertical, Tube mounting or Magnetic mounting
Cable entry	side: 2× M20 × 1.5 with blind plugs (optional cable gland 7-14 mm), bottom: Grommet 5-7 mm
Connection technology	Terminal 2,5 mm ²
Leakage current	0,003 A (PLC-suitable)

Beacon type	LED steady beacon or LED flashing beacon
Light source	3 High Power LEDs
Strobe/flash frequency	2 Hz
Duty cycle	100 %
Service life	Light source: >50.000 h
Operating temperature	-30°C/+60°C
Degree of protection	IP65, IP67 & UL Type 4/4x/13
Weight	250 g



NES

ORDER DATA

Lens colour	Nominal voltage	Voltage range [V]	Nominal current [A]	Type of mounting		
				horizontal	Tube Ø 25 mm	Tube NPT 1/2"
orange	12-24 V AC/DC	11-26 V AC	0,400	440 101 405	440 301 405	440 401 405
		11-30 V DC	0,310			
	24-48 V AC/DC	16-60 V AC 16-80 V DC	0,270	440 101 408	440 301 408	440 401 408
	110-240 V AC/DC	80-265	0,040	440 101 413	440 301 413	440 401 413
red	12-24 V AC/DC	11-26 V AC	0,400	440 102 405	440 302 405	440 402 405
		11-30 V DC	0,310			
	24-48 V AC/DC	16-60 V AC 16-80 V DC	0,270	440 102 408	440 302 408	440 402 408
	110-240 V AC/DC	80-265	0,040	440 102 413	440 302 413	440 402 413
clear	12-24 V AC/DC	11-26 V AC	0,400	440 104 405	440 304 405	440 404 405
		11-30 V DC	0,310			
	24-48 V AC/DC	16-60 V AC 16-80 V DC	0,270	440 104 408	440 304 408	440 404 408
	110-240 V AC/DC	80-265	0,040	440 104 413	440 304 413	440 404 413
blue	12-24 V AC/DC	11-26 V AC	0,400	440 105 405	440 305 405	440 405 405
		11-30 V DC	0,310			
	24-48 V AC/DC	16-60 V AC 16-80 V DC	0,270	440 105 408	440 305 408	440 405 408
	110-240 V AC/DC	80-265	0,040	440 105 413	440 305 413	440 405 413
green	12-24 V AC/DC	11-26 V AC	0,400	440 106 405	440 306 405	440 406 405
		11-30 V DC	0,310			
	24-48 V AC/DC	16-60 V AC 16-80 V DC	0,270	440 106 408	440 306 408	440 406 408
	110-240 V AC/DC	80-265	0,040	440 106 413	440 306 413	440 406 413
yellow	12-24 V AC/DC	11-26 V AC	0,400	440 107 405	440 307 405	440 407 405
		11-30 V DC	0,310			
	24-48 V AC/DC	16-60 V AC 16-80 V DC	0,270	440 107 408	440 307 408	440 407 408
	110-240 V AC/DC	80-265	0,040	440 107 413	440 307 413	440 407 413



Steady & flashing



WMS



MSR



MMR



MGS



AKV



MBK



MQS

ACCESSORIES

Type	Type of accessory	Tube length	Weight	Order number
WMS	Metal bracket for wall mounting		160 g	817 200 900
MMR	Tube mounting Aluminium with plastic foot	50 mm		698 806 007
		100 mm		698 806 008
		250 mm		698 806 009
		400 mm		698 806 010
MSR	Tube mounting Stainless steel with die-cast zinc foot, black (powder-coated)	50 mm		698 806 021
		100 mm		698 806 022
		250 mm		698 806 023
		400 mm		698 806 024
MGS	Magnetic fixing		340 g	817 203 900
AKV	Cable gland M20x1,5			698 800 026
MBK	Earthing kit for UL-compliant installation			819 201 900
MQS	Mounting plate for UL-compliant installation			817 202 900