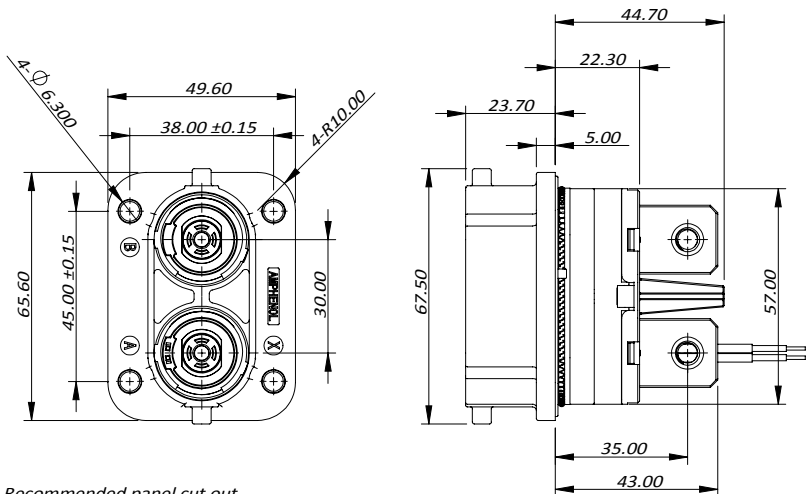


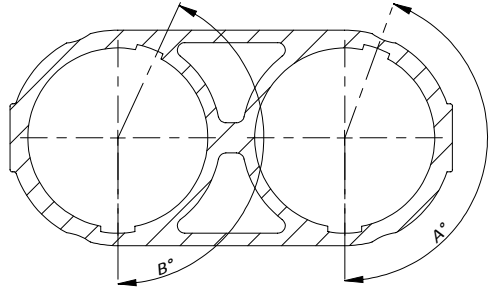
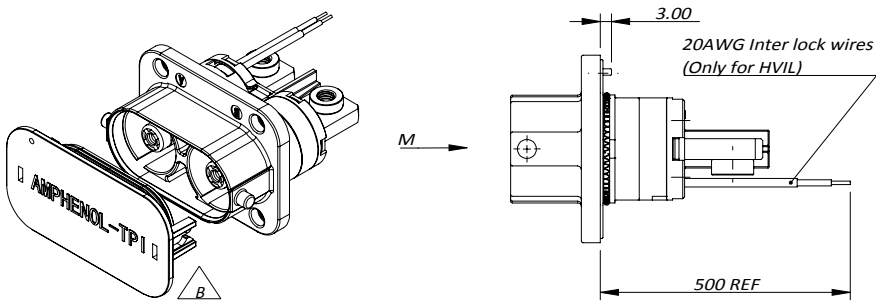
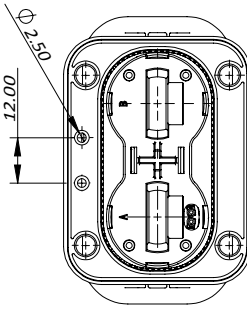
THIS DRAWING IS SUPPLIED FOR INFORMATION ONLY. DESIGN FEATURES, SPECIFICATIONS AND PERFORMANCE DATA SHOWN HEREON ARE THE PROPERTY OF THE AMPHENOL CORPORATION. NO RIGHTS OF REPRODUCTION ARE IMPLIED. ALL DIMENSIONS ARE SUBJECT TO NORMAL MANUFACTURING VARIATIONS.

CUSTOMER DRAWING

REVISIONS					
REV#	ECN#	REVISION ACTION	REV.BY:	APPR.BY:	DATE
B	--	Add new parts and Key U/V	Star	JL	10/15/2020
C	--	新增H6/H8/PM8规格料号	Star	JL	11/20/2020
D	--	Add M10 specification	Star	JL	02/23/2021



Recommended panel cut out



M向键位示意图

Key	角度A°	角度B°
X	160	160
Y	200	200
U	160	200
V	200	160

规格参数(Spec.):

- 工作温度 Operating temperature : -40°C ~ +125°C.
- 带高压互锁 Electrical interlock (HVIL).
- 额定电流 Current rating:
Power: 300A; HVIL: 5A.
- 额定电压 Operating voltage:
Power: 1000 VDC; Signal: 60 VDC.
- 耐电压 Dielectric withstanding voltage:
A. 与插座对插后, Pin与铁壳之间
When mated, between pin and metal shell: 5000 VDC.
B. 与插座对插后, Pin与HVIL之间
When mated, between pin and HVIL: 5000 VDC.
C. 与插座对插后, HVIL与铁壳之间
When mated, between HVIL and metal shell: 500 VDC.
D. 与插座对插前, 两个HVIL端子之间耐压
Before mating, between two HVIL terminals: 500 VDC.
- 防护等级 Protection class: Mated-IP6k9k & IP67, unmated-IP2X.
- 电磁屏蔽 360° full Shielding.
- 机械寿命 Mating cycle: 100 Min.
- 推荐法兰盘螺丝安装扭矩 Recommended Screw
Assembly Torque on Flange : 6.2~7.6Nm
- 推荐铜排安装扭矩 Recommended Fasten Torque on Lug:
M6: 3.6~4.4Nm, M8: 7.2~8.8Nm, M10: 17.1~20.9Nm
- 镀灰锌/锌镍合金, 符合RoHS, 满足500H中性盐雾实验
Gray Zinc/Nickel(ZnNi) Plating. RoHS compliant, Rated at 500hours salt spray.

订购信息 Ordering Information

PL082 X - 30 1 - 10 PM 6 - 2

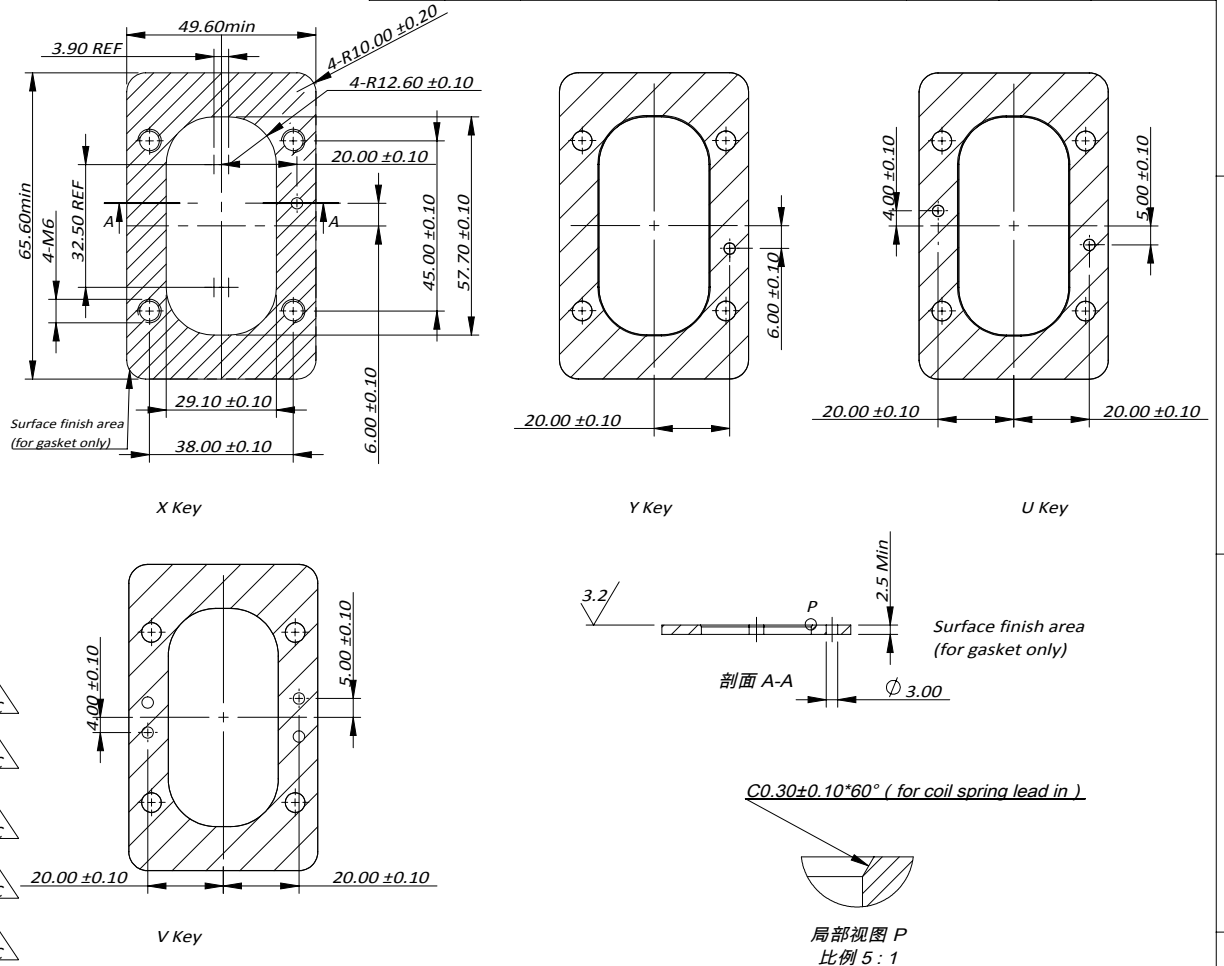
Key and Color	HVIL	Hole Type	Hole Size
"X", Orange	"0", NO HVIL	"D", through hole	
"Y", Black	"1", With HVIL	"M", thread hole	
"U", Yellow		"H", slot hole	
"V", Green		"PM", punched nut	

	Amphenol Technical Products International Asia.					PART NAME: PwrLok 10mm G2 2POS Rcpt Lug
	第三角投影 THIRD ANGLE PROJECTION	页面 SHEET 1 OF 2	幅面 SIZE A4	版次 REV. D	比例 SCALE --	
签名 SIGNATURE Star	日期 DATE 02/23/2021	UNLESS OTHERWISE SPECIFIED 1) All dimensions are in metric(mm). 2) Tolerances are as follows: 1.PL DEC ± 1.00 2.PL DEC ± 0.50 3.PL DEC ± 0.20			CUST PART #	CUST REV.
制图 DRAWN Star	审核 CHECKED	批准 APPROVAL	Angles ±1°			

THIS DRAWING IS SUPPLIED FOR INFORMATION ONLY. DESIGN FEATURES, SPECIFICATIONS AND PERFORMANCE DATA SHOWN HEREON ARE THE PROPERTY OF THE AMPHENOL CORPORATION. NO RIGHTS OF REPRODUCTION ARE IMPLIED. ALL DIMENSIONS ARE SUBJECT TO NORMAL MANUFACTURING VARIATIONS.

1	2	3	4
型号	AC P/N	型号	AC P/N
PL082X-300-10M6-2	AC-HA010932	PL082X-301-10M6-2	AC-HA010944
PL082Y-300-10M6-2	AC-HA010933	PL082Y-301-10M6-2	AC-HA010945
PL082U-300-10M6-2	AC-HA016971	PL082U-301-10M6-2	AC-HA016991
PL082V-300-10M6-2	AC-HA016972	PL082V-301-10M6-2	AC-HA016992
PL082X-300-10M8-2	AC-HA010934	PL082X-301-10M8-2	AC-HA010946
PL082Y-300-10M8-2	AC-HA010935	PL082Y-301-10M8-2	AC-HA010947
PL082U-300-10M8-2	AC-HA016975	PL082U-301-10M8-2	AC-HA016995
PL082V-300-10M8-2	AC-HA016976	PL082V-301-10M8-2	AC-HA016996
PL082X-300-10D6-2	AC-HA010938	PL082X-301-10D6-2	AC-HA010950
PL082Y-300-10D6-2	AC-HA010939	PL082Y-301-10D6-2	AC-HA010951
PL082U-300-10D6-2	AC-HA016979	PL082U-301-10D6-2	AC-HA016999
PL082V-300-10D6-2	AC-HA016980	PL082V-301-10D6-2	AC-HA017000
PL082X-300-10D8-2	AC-HA010940	PL082X-301-10D8-2	AC-HA010952
PL082Y-300-10D8-2	AC-HA010941	PL082Y-301-10D8-2	AC-HA010953
PL082U-300-10D8-2	AC-HA016983	PL082U-301-10D8-2	AC-HA017003
PL082V-300-10D8-2	AC-HA016984	PL082V-301-10D8-2	AC-HA017004
PL082X-300-10D10-2	AC-HA010942	PL082X-301-10D10-2	AC-HA010954
PL082Y-300-10D10-2	AC-HA010943	PL082Y-301-10D10-2	AC-HA010955
PL082U-300-10D10-2	AC-HA016987	PL082U-301-10D10-2	AC-HA017007
PL082V-300-10D10-2	AC-HA016988	PL082V-301-10D10-2	AC-HA017008
PL082X-300-10PM6-2	AC-HA011977	PL082X-301-10PM6-2	AC-HA011979
PL082Y-300-10PM6-2	AC-HA011978	PL082Y-301-10PM6-2	AC-HA011980
PL082U-300-10PM6-2	AC-HA017011	PL082U-301-10PM6-2	AC-HA017015
PL082V-300-10PM6-2	AC-HA017012	PL082V-301-10PM6-2	AC-HA017016
PL082X-300-10PM8-2	AC-HA017356	PL082X-301-10PM8-2	AC-HA017374
PL082Y-300-10PM8-2	AC-HA017357	PL082Y-301-10PM8-2	AC-HA017375
PL082U-300-10PM8-2	AC-HA017358	PL082U-301-10PM8-2	AC-HA017376
PL082V-300-10PM8-2	AC-HA017359	PL082V-301-10PM8-2	AC-HA017377
PL082X-300-10H6-2	AC-HA017362	PL082X-301-10H6-2	AC-HA017380
PL082Y-300-10H6-2	AC-HA017363	PL082Y-301-10H6-2	AC-HA017381
PL082U-300-10H6-2	AC-HA017364	PL082U-301-10H6-2	AC-HA017382
PL082V-300-10H6-2	AC-HA017365	PL082V-301-10H6-2	AC-HA017383
PL082X-300-10H8-2	AC-HA017368	PL082X-301-10H8-2	AC-HA017386
PL082Y-300-10H8-2	AC-HA017369	PL082Y-301-10H8-2	AC-HA017387
PL082U-300-10H8-2	AC-HA017370	PL082U-301-10H8-2	AC-HA017388
PL082V-300-10H8-2	AC-HA017371	PL082V-301-10H8-2	AC-HA017389
PL082X-300-10M10-2	AC-HA010936	PL082X-301-10M10-2	AC-HA010948
PL082Y-300-10M10-2	AC-HA010937	PL082Y-301-10M10-2	AC-HA010949
PL082U-300-10M10-2	AC-HA017824	PL082U-301-10M10-2	AC-HA017828
PL082V-300-10M10-2	AC-HA017825	PL082V-301-10M10-2	AC-HA017829

REVISIONS					
REV#	ECN#	REVISION ACTION	REV.BY:	APPR.BY:	DATE
B	--	Add new parts and Key U/V/W/T	Star	JL	10/15/2020
C	--	新增H6/H8/PM8规格料号	Star	JL	11/20/2020
D	--	Add M10 specification	Star	JL	02/23/2021



	Amphenol Technical Products International Asia.					PART NAME: PwrLok 10mm G2 2POS Rcpt Lug
	第三角投影 THIRD ANGLE PROJECTION	页面 SHEET	幅面 SIZE	版次 REV.	比例 SCALE	
签名 SIGNATURE	日期 DATE	UNLESS OTHERWISE SPECIFIED 1) All dimensions are in metric(mm). 2) Tolerances are as follows: 1.PL DEC ± 1.00 2.PL DEC ± 0.50 3.PL DEC ± 0.20			CUST PART #	CUST REV.
制图 DRAWN	Star	02/23/2021	Angles ±1°			
审核 CHECKED						
批准 APPROVAL						