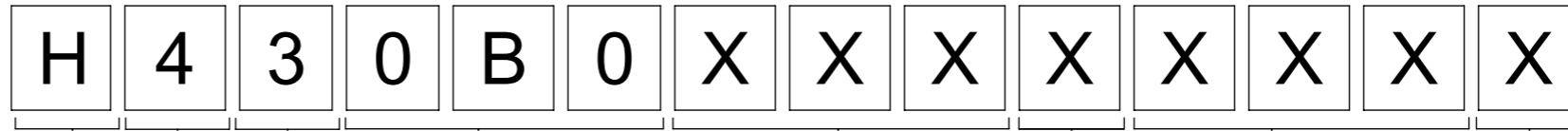
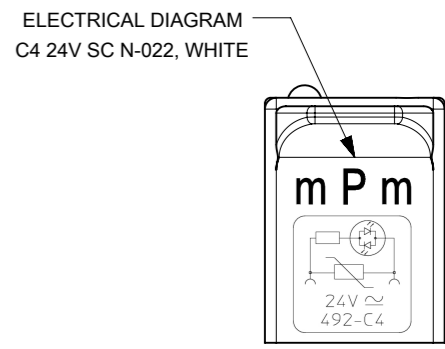
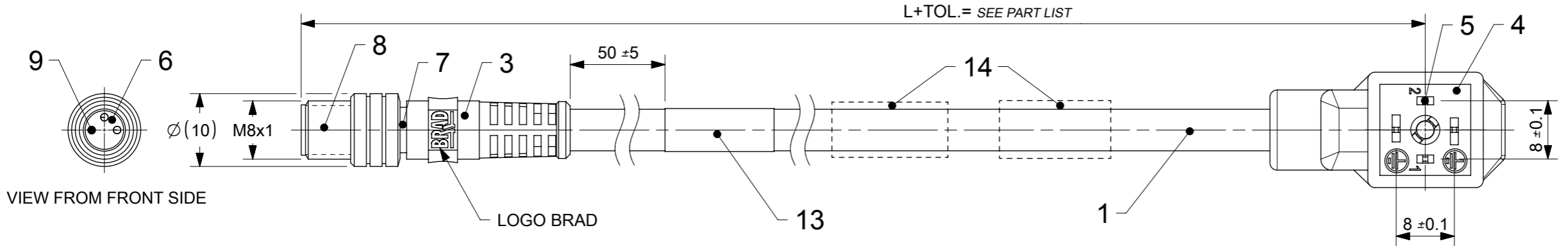
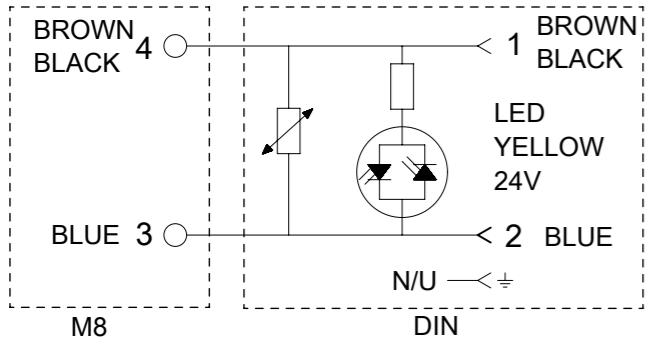


ELECTRICAL DIAGRAM C4

PART No. MATRIX



- H- Form C
8mm contact spacing
- 3- 3 Pole
Male
- 4- NC
Single Keyway
- 0B0 - Standard Wiring
Yellow LED/ zener diode/ 24V
Earth Position H6/H12
M8 Male/ Straight
- XXX - Cable Type
- M - Metres
F - Feet
- Length
020 = 2M
050 = 5M
200 = 20M
- Moulding color
Blank - Black PUR
A - Grey
Y - Yellow
H - 2x I/D Carrier
Coupling Nut Material
Blank - Standard
1 - Hexagonal/ Stainless Steel
5 - Delrin
7 - Teflon



NOTES:
ELECTRICAL DATA:
VOLTAGE RATING: 60V AC / 75V DC
AMPERAGE RATING: 3A

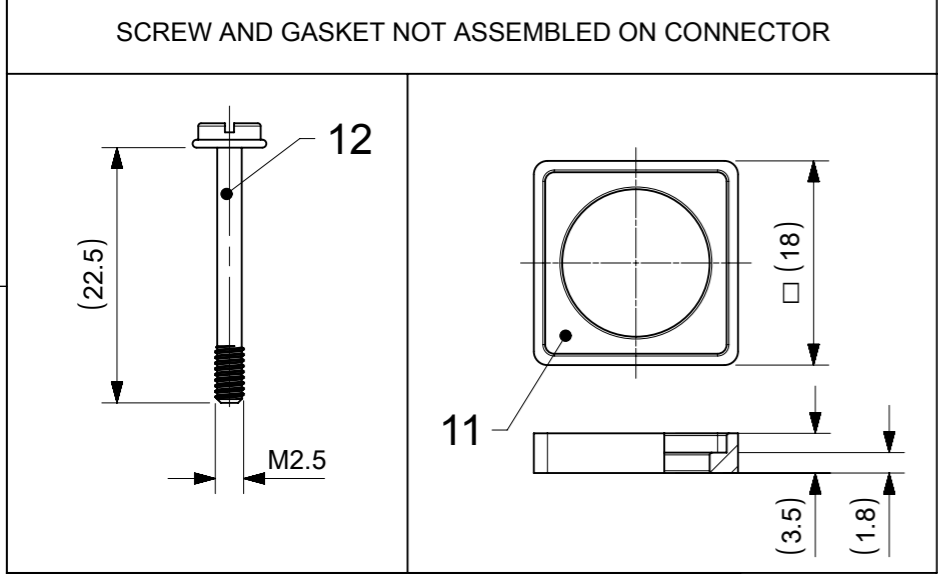
ENVIRONMENTAL:
PROTECTION: IP67
OPERATING TEMPERATURE: -5°C TO +70°C

CUSTOMER PRODUCT APPROVAL
APPROVED BY: _____
DATE: _____
MUST BE SIGNED AND RETURNED BEFORE PRODUCTION WILL BEGIN

CABLE SPECIFICATION:

CABLE TYPE	CROSS SECTION	OPERATING VOLATGE	FIXED OPERATING TEMPERATURE	FLEXING OPERATING TEMPERATURE	JACKET MATERIAL	JACKET COLOR
E12	3x0.50mm ²	300V	-20°C TO +70°C, 3x O.D	-15°C TO +70°C, 5x O.D	PVC	BLACK
I03	3x0.34mm ²	300V	-30°C to +70°C	-5°C to +70°C	PVC	GRAY

ITEM	QTY	DESCRIPTION	MATEIRAL	FINISH/ COLOR
14	2	I/D CARRIER 6-10mmx30mm	-	-
13	1	LABEL 2.0X1.75	VINYL	YELLOW
12	1	SCREW M2.5X22.5	STEEL	ZINC
11	1	PROFIED GASKET G19.2	NBR	BLACK
10	1	PCB C4 24V YELLOW LED	-	-
9	3	CONTACT 10 MALE	BRASS	GOLD OVER NICKEL
8	1	MALE COUPLING NUT	BRASS	Ni-PLATED
7	1	M8 3/4 POLE SLEEVE	BRASS	Ni-PLATED
6	1	3P MALE INSERT	PUR	BLACK
5	4	PLATED CONTACT	BRASS	SILVER
4	1	INSERT HSG 2P+2T	PA66 + 25%V	BLACK
3	-	MOULDING MATERIAL	TPU	BLACK
2	-	MOULDING MATERIAL	PP	BLACK
1	-	CABLE 3xXmm2	-	-



PART LIST

MOLEX PN	ENGINEERING NO	L±TOL. [mm]
1210360284	H430B0I03M030	3000±30
1210360683	H430B0E12M006	600±20
1210360861	H430B0E12M010	1000±20
1210360862	H430B0E12M050	5000±40
1210360982	H430B0E12M003H	300±20

THIS DRAWING CONTAINS INFORMATION THAT IS PROPRIETARY TO MOLEX ELECTRONIC TECHNOLOGIES, LLC AND SHOULD NOT BE USED WITHOUT WRITTEN PERMISSION

SYMBOLS: $\nabla = 0$ DIMENSION UNITS: mm SCALE: 3:2

GENERAL TOLERANCES (UNLESS SPECIFIED):
ANGULAR TOL ± 1.0°
4 PLACES ±
3 PLACES ±
2 PLACES ± 0.05
1 PLACE ± 0.3
0 PLACES ± 0.5

DRAFT WHERE APPLICABLE MUST REMAIN WITHIN DIMENSIONS

THIRD ANGLE PROJECTION

CURRENT REV DESC: INITIAL RELEASE

EC NO: 609942
DRWN: SSM 2018/12/18
CHK'D: RSILLER 2019/01/07
APPR: RSILLER 2019/01/07

INITIAL REVISION:
DRWN: SSM 2018/12/18
APPR: RSILLER 2019/01/07

molex

CSE DIN 3P 2W MM ST XXM PVC

PRODUCT CUSTOMER DRAWING

DOCUMENT NUMBER: 1210360284
DOC TYPE: PSD
DOC PART: 000
REVISION: A

MATERIAL NUMBER: SEE PART LIST
CUSTOMER: GENERAL MARKET
SHEET NUMBER: 1 OF 1