

**HIGH FREQUENCY WEARBLE COIL FOR WIRELESS POWER TRANSFER**

**Product Name**

Wireless Charging Coil - High Frequency Receive

<b>Molex PN</b>	<b>Part Description</b>
1461798011	Wireless Charging Coil - High Frequency Receive

<b>REVISION:</b>  <b>B</b>	<b>ECR/ECN INFORMATION:</b> EC No: 111410 DATE: 2016/12/28	<b>TITLE:</b>  <b><u>HIGH FREQUENCY WEARBLE COIL FOR</u></b>  <b><u>WIRELESS POWER TRANSFER</u></b>		<b>SHEET No.</b>  <b>1 of 6</b>
<b>DOCUMENT NUMBER:</b> <b>AS-1461798011</b>		<b>CREATED / REVISED BY:</b> Benson Liu 2016/12/28	<b>CHECKED BY:</b> Ryan Liu 2016/12/28	<b>APPROVED BY:</b> Welson Tan 2016/12/28

# nucurrent

a **molex** partner

## High Frequency Wearable Receiver

### HIGH FREQUENCY WEARABLE COIL FOR WIRELESS POWER TRANSFER

#### FEATURES

- Industry's highest FPCB Q Factor
- Wearable and accessory form factor
- Industry leading thinness of 0.53 mm MAX(w/shield)
- Enables high efficiency solutions
- FPCB construction:
  - Increased durability
  - Repeatable performance
  - Integration with other electronics
- Custom design available

Molex Part Number

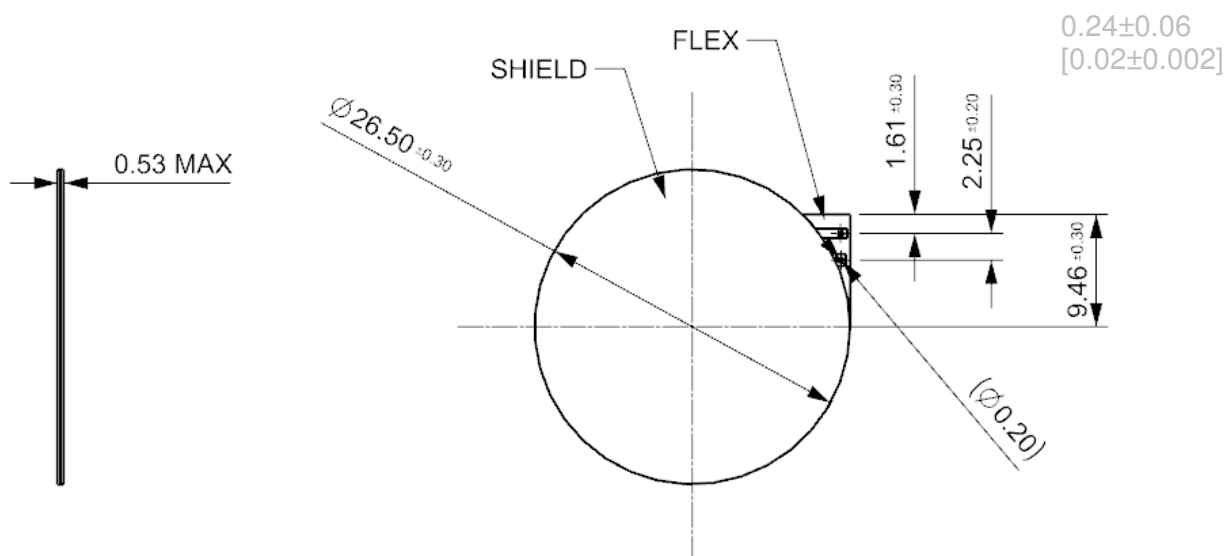
1461798011

Electrical Parameters at 25°C

Inductance +/-2%, @ 6.78 MHz (uH)	DCR +/- 2% (mOhm)	ESR +/- 2% (mOhm)	Quality Factor
2.6	245	1165	90

Mechanical Parameters (mm)

Coil Thickness	Assembly Thickness (w/shield)	Material
0.24	0.53 MAX	Flex



a **molex** partner

## High Frequency Wearable Receiver

### GENERAL DESCRIPTION:

This specification describes a FPCB wearable receiver coil for wireless power transfer at frequencies supported by the Rezence Standard (6.78MHz). The information in this document is for reference and benchmark purposes only. The user is responsible for validating coil performance based on users own testing environment.

### PRODUCT DESCRIPTION:

This high efficiency coil is designed for high performance on wearable devices as smartwatches, fitness trackers etc. Standard FPCB construction enables integration with other electronics, high durability, high yield manufacturing and consistent performance.

### DEFINITIONS:

**Equivalent Series Resistance (ESR):** resistance measured at or around the operating frequency. ESR accurately characterizes any losses such as skin effect or proximity effect and any additional effects that may occur in the presence of material such as shielding, metal backing, or the housing. Comparison of coil assembly and in situation ESR measurements can accurately determine sources of loss. This metric should be given serious consideration during product selection to ensure full characterization of system electrical parameters.

**Direct Current Resistance (DCR):** resistance measured at DC or measured at very low frequencies (60 Hz - 100 Hz) and is often considered an incomplete measurement in wireless charging environments because it does not take into account actual causes of resistance during operation. NuCurrent recommends ESR as the most relevant measurement of resistance in a wireless power coil, but provides DCR values as well.

### PRODUCT TUNING:

To maximize coil and system performance, it is important to optimize the tuning circuit for every application. Improper tuning can lead to inferior system performance even if the individual system blocks, including the coil, comprise high performance components.

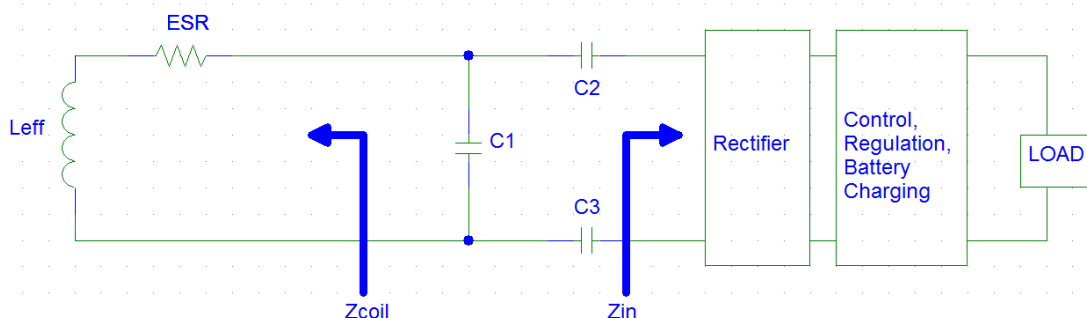
The objective of the matching circuit is to resonate the inductive coil ( $Z_{COIL}$ ) and match it to  $Z_{IN}$  (See diagram below).  $Z_{IN}$  may be variable; for example when charging a battery, there is a swing in the  $Z_{LOAD}$  value which may translate to a swing in  $Z_{IN}$ . Instead of optimizing for the full swing in  $Z_{IN}$ , a relatively straightforward approach to keep losses low may be to match for maximum efficiency when  $Z_{IN}$  is at full load (peak power draw).

A generic tuning/matching network (C1, C2, C3) is provided below as a typical system for wireless charging using magnetic resonance coupling. The topology is a shunt-series-differential-capacitor network. Depending on the application, choice of ICs, effective self-Inductance of the coil ( $L_{EFF}$ ), and coupling with the transmitter, a derivative topology (e.g. single-ended series, differential series, etc.) may also be implemented.

# nucurrent

a **molex** partner

## High Frequency Wearable Receiver



With regards to the capacitor-network, the choice of topology is dependent on the desired  $V_{\text{RECTIFIER}}$  and the receiver coil selection. A good rule of thumb to determine the **relative**  $V_{\text{RECTIFIER}}$  between different receive coils is to compute the product  $L_{\text{EFF}} \times A_{\text{EFF}}$ , where  $A_{\text{EFF}}$  is the effective area of the coil. Series tuning is typically preferred for high  $L_{\text{EFF}}$  coils with good coupling (to the transmitter) to induce a  $V_{\text{RECTIFIER}}$  within the desired range (typically 7V - 15V for a 4W - 7W receiver). Shunt tuning can be used with very low  $L_{\text{EFF}}$  coils with low coupling. In general, the shunt helps boost the  $V_{\text{RECTIFIER}}$ . Shunt-series tuning may be used for coils which demonstrate intermediate coupling with the transmitter; this topology also offers more flexibility towards designing for  $Z_{\text{IN}}$ .

SMT inductors (not shown) may be added in series with C2 and/or C3 to block high frequency harmonics. An EMI filter may also be utilized to prevent harmonics generated at the rectifier stage to re-enter the wireless link.

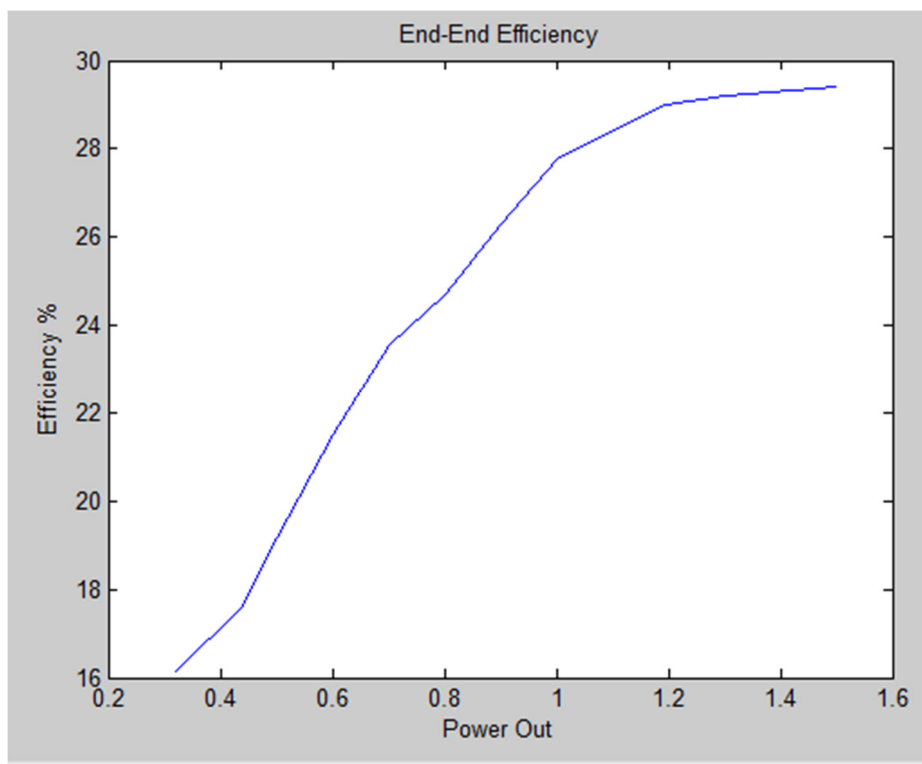
In order to account for the effect of the environment on the coil, all measurements, including  $Z_{\text{COIL}}$ , should be performed in-situ, i.e. the coil assembly placed in its intended location in the end application.

Finally, the choice of the matching topology and filtering components is a function of the desired performance, complexity and BOM.

For detailed product specific tuning information, please contact Molex at [www.molex.com](http://www.molex.com) or via phone 1 800-78MOLEX (1 800 786-6539).

**PERFORMANCE:**

For custom applications, NuCurrent can optimize antenna assemblies for thickness, price or efficiency. The data below demonstrates the performance of the wearable device using a standard Class 2 transmitter.



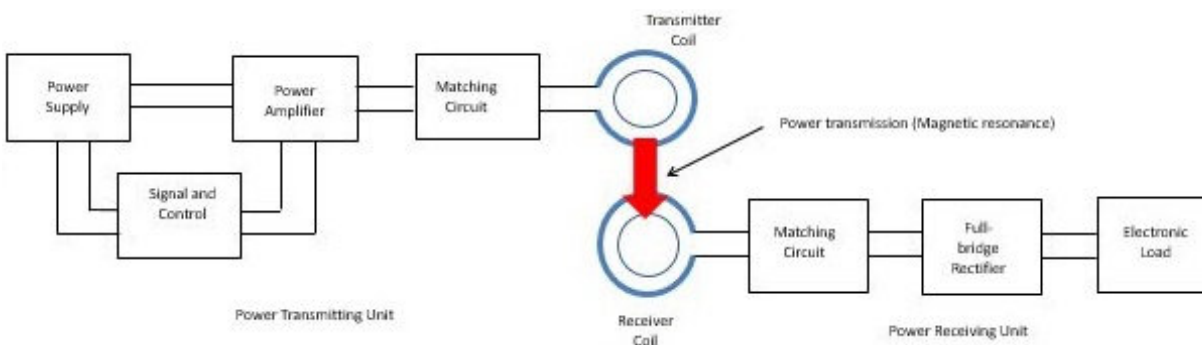
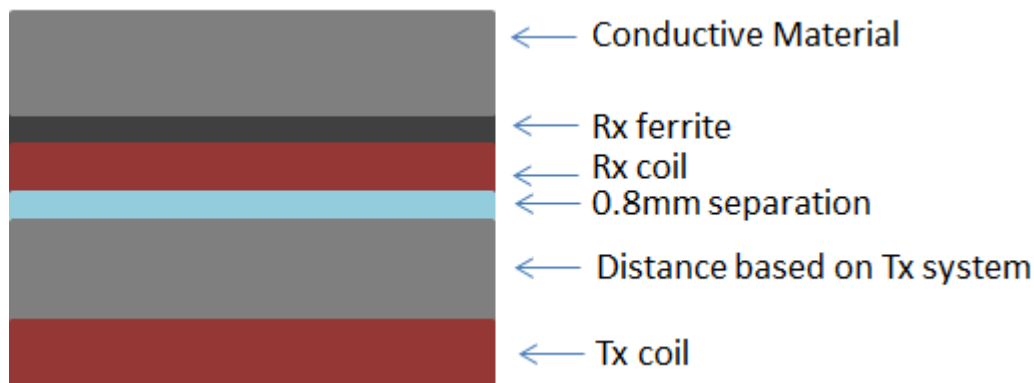
- A Certified Class 2 transmitter used for all tests
- Tests done with receiver located in the center of Transmitter
- End-End Efficiency is defined as Rectified Power/Input Power

## GENERAL REQUIREMENTS:

### A. CONNECTIONS FOR TESTING

- I. 34AWG copper wire recommended for pad soldering

### B. RECOMMENDED TEST SETUP



## REFERENCE DOCUMENTS:

Please see Company website for more information.