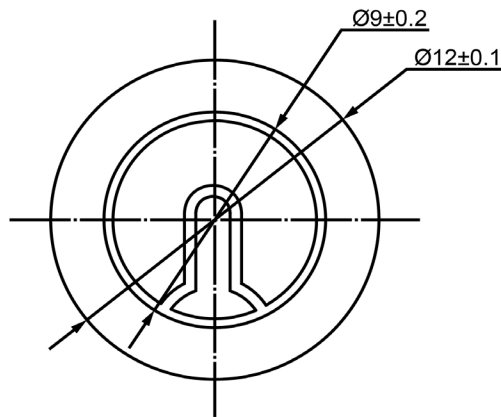
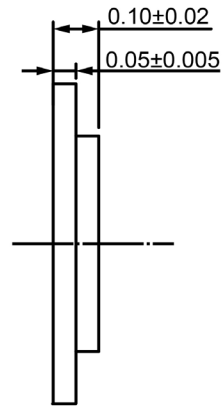


TOP VIEW



SIDE VIEW



Specifications

Description	Value	Unit
Resonant Frequency	5,100	(Hz)
Resonant Impedance (Max)	600	(Ohm)
Max Input Voltage	30	(V)
Capacitance	12,000	(pF)
Plate Material	Alloy	
Operating Temperature	-20 ~ +60	°C
Storage Temperature	-20 ~ +70	°C

Notes

- 1) All dimensions are in mm unless otherwise noted
- 2) All parts meet RoHS



Revision History

Version	Description	Date	Approved		
1	Released from Engineering	10/21/2013	J.S		
Drawn by	Date	Checked by	Date	Approved by	Date
A.B.	10/21/2013	C.E.	10/21/2013	J.S	10/21/2013

Piezo Bender

P12051-1