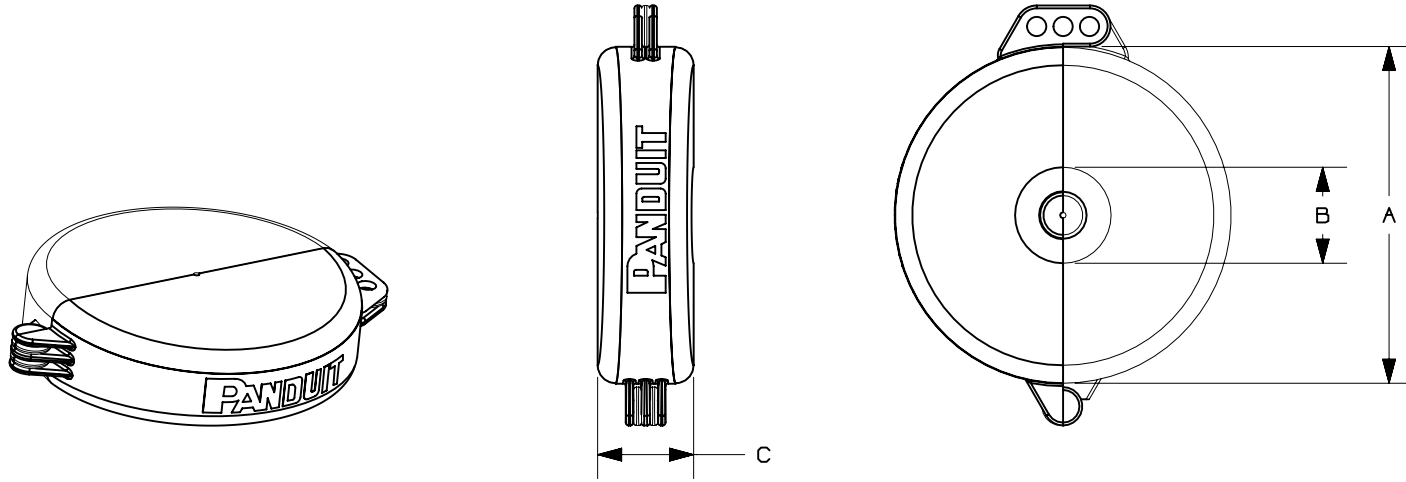


THIS COPY IS PROVIDED ON A RESTRICTED BASIS AND IS NOT TO BE USED IN ANY WAY DETRIMENTAL TO THE INTERESTS OF PANDUIT CORP.

| PART NUMBER | COLOR  | VALVE HANDLE SIZE<br>IN. [MM] | DIM. "A"<br>IN. [MM] | DIM. "B"<br>IN. [MM] | DIM. "C"<br>IN. [MM] | STANDARD<br>PKG. |
|-------------|--------|-------------------------------|----------------------|----------------------|----------------------|------------------|
| PSL-V2A     | RED    | 1.0-3.0 [25-76]               | 3.5 [89]             | .75 [19]             | 1.5 [38]             | 1                |
| PSL-V2BLU   | BLUE   | 1.0-2.5 [25-63]               | 3.0 [76]             | .75 [19]             | 1.5 [38]             |                  |
| PSL-V2GRN   | GREEN  | 1.0-2.5 [25-63]               | 3.0 [76]             | .75 [19]             | 1.5 [38]             |                  |
| PSL-V2YEL   | YELLOW | 1.0-2.5 [25-63]               | 3.0 [76]             | .75 [19]             | 1.5 [38]             |                  |
| PSL-V4      | RED    | 2.5-5.0 [63-127]              | 5.5 [140]            | 1.7 [43]             | 1.75 [44]            |                  |
| PSL-V4BLU   | BLUE   | 2.5-5.0 [63-127]              | 5.5 [140]            | 1.7 [43]             | 1.75 [44]            |                  |
| PSL-V4GRN   | GREEN  | 2.5-5.0 [63-127]              | 5.5 [140]            | 1.7 [43]             | 1.75 [44]            |                  |
| PSL-V4YEL   | YELLOW | 2.5-5.0 [63-127]              | 5.5 [140]            | 1.7 [43]             | 1.75 [44]            |                  |
| PSL-V6A     | RED    | 3.0-6.5 [76.2-165]            | 7.0 [178]            | 2.0 [51]             | 2.0 [51]             |                  |
| PSL-V6BLU   | BLUE   | 3.0-6.5 [76.2-165]            | 7.0 [178]            | 2.5 [63]             | 2.0 [51]             |                  |
| PSL-V6GRN   | GREEN  | 3.0-6.5 [76.2-165]            | 7.0 [178]            | 2.5 [63]             | 2.0 [51]             |                  |
| PSL-V6YEL   | YELLOW | 3.0-6.5 [76.2-165]            | 7.0 [178]            | 2.5 [63]             | 2.0 [51]             |                  |
| PSL-V9      | RED    | 6.5-10.0 [165-254]            | 10.5 [267]           | 3.5 [89]             | 2.5 [63]             |                  |
| PSL-V9YEL   | YELLOW | 6.5-10.0 [165-254]            | 10.5 [267]           | 3.5 [89]             | 2.5 [63]             |                  |
| PSL-V13     | RED    | 10.0-13.0 [254-330]           | 14.5 [368]           | 4.0 [101]            | 3.0 [76]             |                  |
| PSL-V13YEL  | YELLOW | 10.0-13.0 [254-330]           | 14.5 [368]           | 4.0 [101]            | 3.0 [76]             |                  |



NOTES:  
 1. [ ] DENOTE MILLIMETERS  
 2. COLOR REQUIREMENTS  
 RED - PMS186  
 BLUE - PMS285  
 GREEN - PMS335  
 YELLOW - PMS109

| REV | DATE     | BY   | CHK  | APR  | DESCRIPTION  | ECN        |
|-----|----------|------|------|------|--|------------|
| 5   | 1-7-14   | JHAC | KLN  | MJPF | UPDATED DIMENSION B FOR PSL-V6GRN, YEL, AND BLU  | GAECN01536 |
| 4   | 12-19-13 | JHAC | MSAD | CLW  | UPDATED VALVE HANDLE SIZES FOR PSL-V2*, CHANGED DRAWING SIZE                             | GAECN01506 |
| 3   | 3-29-06  | RVU  |      |      | PSL-V2A: 1-2.5 WAS 1-3<br>PSL-V6A: 2.5-6.5 WAS 3.0-6.5                                   | 4429       |
| 2   | 1-24-06  | RVU  |      |      | ADDED PANTONE COLOR #  | 4335       |
| 1   | 9-8-05   | RVU  | DWY  |      | PART NO.'S PSL-V2, PSL-V4, AND PSL-V6 OBSOLETED<br>ADDED PART NO.'S PSL-VS2A AND PSL-V6A | 4168       |
| R   | 9-9-03   | RVU  | DWY  |      | DRAWING RELEASE  | 3399       |

|  |  |                                     |  |
|--|--|-------------------------------------|--|
| TITLE  |  | <b>PSL-V*** GATE VALVE LOCKOUTS</b> |  |
| ITEM REVISION NAME   |  | CUSTOMER DRAWING                    |  |
| DATASET FILE NAME  |  | G01204NZ/02                         |  |
| G01204NZ_DC_C10094/02B   |  |                                     |  |
| UNLESS OTHERWISE SPECIFIED,<br>DIMENSIONAL TOLERANCES ARE: IN [mm]<br>.x ± .032 [.81]    .xxx ± .01 [.25]<br>.xx ± .015 [.38]    ANGLES ± 5° |  |                                     |  |
| DRAWN BY   |  | MATERIAL:                           |  |
| RVU  |  | POLYPROPYLENE                       |  |
| DATE   |  | DRAWING NUMBER:                     |  |
| 9-9-03   |  | C10094                              |  |
| CHK  |  | SCALE                               |  |
| MSAD   |  | 1:4                                 |  |
| ECN  |  | SHT 1 OF 1                          |  |
|  |  | A                                   |  |