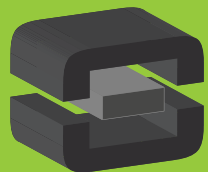


From Off-The-Shelf to Market-Ready© New Age Enclosures is your Single Source Solution.  
Let us quote modifying our Stock Enclosures to meet your end-use.  
visit [newageenclosures.com/services](http://newageenclosures.com/services) or call 855-4NA-ENCL today.

**CNC CUTOUTS**  
**PART DECORATING**  
**CUSTOM COLOR AND MATERIAL**  
**RF/EMI SHEILDING**  
**CUSTOM TOOL INSERTS**  
**CUSTOM ENCLOSURES AND DESIGN**



**NEW AGE**  
**ENCLOSURES**

DEVELOP THE FUTURE

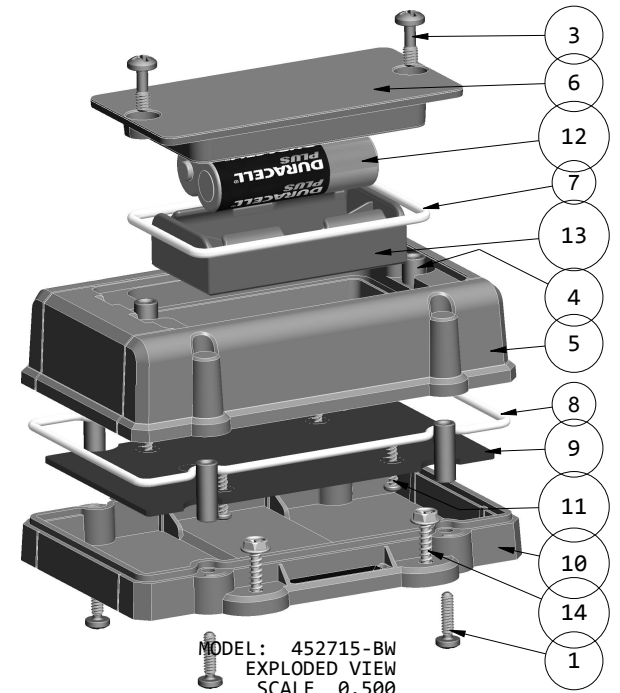
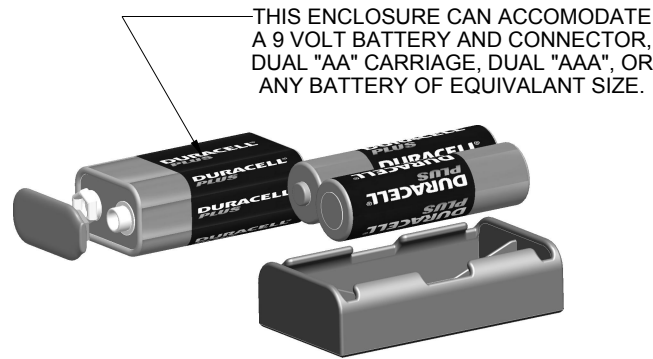


NOTES: UNLESS OTHERWISE SPECIFIED

- CORNERS DRAWN SHARP TO BE R.005 MAXIMUM.
- EXTERIOR SURFACE TEXTURE TO BE LIGHT EDM FINISH. EQUIVELANT TO MT-11020. CENTER PART TO BE POLISHED.
- INTERIOR SURFACE TEXTURE TO BE: NONE.
- ALL INSIDE RADII .010R. UNLESS OTHERWISE SPECIFIED.
- ALL EXTERNAL DIMENSIONS AFFECTED BY THE DRAFT APPLY AT THE LARGE END OF THE FEATURE, AND ALL INTERNAL FEATURES AFFECTED BY THE DRAFT APPLY AT THE SMALL END OF THE FEATURE UNLESS OTHERWISE SPECIFIED.
- 1 DEGREE DRAFT IN THE DIRECTION OF PULL IS PERMISSIBLE UNLESS OTHERWISE SPECIFIED.
- ASSEMBLY SCREWS FOR THE ENCLOSURE ARE INCLUDED. MOUNTING SCREWS FOR THE PCB AND WALL ARE SOLD SEPERATELY.
- MATERIAL / COLOR: ENCLOSURE IN ASA PLASTIC IS STANDARD IN BLACK OR GREY. SLIGHT COSMETIC SWIRLING, BLUSHING, AND/OR DISCOLORATION CAN OCCUR IN THIS ENCLOSURE DUE TO UV INHIBITORS IN THE RESIN. O-RING IN TPE IS STANDARD IN BLUE. CUSTOM MATERIALS AND COLORS ARE AVAILABLE UPON REQUEST FOR QUOTE.
- PCB SIZES ARE RECOMMENDATIONS ONLY. FINAL SIZES AND VERIFICATION OF ITS FIT ARE THE SOLE RESPONSIBILITY OF OEM.
- THIS ENCLOSURE IS CONSTRUCTED FOR INDOOR OR OUTDOOR USE TO PROVIDE A DEGREE OF PROTECTION TO THE EQUIPMENT INSIDE AGAINST THE INGRESS OF SOLID FOREIGN OBJECTS (FALLING DIRT); AND TO PROVIDE A DEGREE OF PROTECTION WITH RESPECT TO TO HARMFUL EFFECTS ON THE EQUIPMENT DUE TO THE INGRESS OF WATER (DRIPPING OR SPLASHING).

| R E V I S I O N |          |        |  |             |          |
|-----------------|----------|--------|--|-------------|----------|
| REV.            | DRAWN BY | ECO No | DESCRIPTION  | DATE        | APPROVED |
| A               | M BOYER  |        | PRELIMINARY RELEASE  | 2010-Sep-17 | D.C.     |
| J               | M BOYER  |        | REMOVE SHOWN USB CUTOUT                                      | 27-Jan-12   | D.C.     |
| 1.0             | M BOYER  |        | UPDATE TO AS-BUILT AND RELEASED TO MFG                       | 23-May-12   | D.C.     |
| 1.1             | M BOYER  | 2612   | REVISE STANDARD B.O.M. & INSERT SHEET 3                      | 26-Jul-12   | D.C.     |
| 2.0             | R CRUZ   | 8513   | UPDATE CONFIGURATION TABLE TO INCLUDE O-RINGS WITH ENCLOSURE | 30-Dec-13   | D.C.     |
| 2.1             | R CRUZ   | 0414   | UPDATE CONFIG TABLE - REMOVE BATTERY O-RING FROM -Sx CONFIGS | 24-Jan-14   | D.C.     |
| 2.2             | M BOYER  | 1314   | REVISE INSERT SIZE ON BOM                                    | 29-May-14   | D.C.     |
| 3.0             | M BOYER  | 1514   | INCREASE ORING THICKNESS                                     | 02-Jul-14   | D.C.     |
| 3.1             | R CRUZ   | 02115  | UPDATE NOTE 8  | 20-May-15   | D.C.     |
| 4.0             | R CRUZ   | 03115  | CHANGED O-RING COLOR FROM NATURAL TO BLUE                    | 07-Jul-15   | D.C.     |
| 4.1             | M BOYER  | 02516  | INCLUDE NOTE 10  | 2016-May-04 | D.C.     |
| 5.0             | M BOYER  | 01718  | CHANGE ORING TO BE OFF-THE-SHELF OR EQUIV.                   | 2018-Jun-19 |          |

| 452715(x) CONFIGURATIONS           |     |     |     |     |
|------------------------------------|-----|-----|-----|-----|
|                                    | -SW | -BS | -SS | -BW |
| 452715 BATTERY COVER               |     | 1   |     | 1   |
| 452715 COVER (w/o BATTERY)         | 1   |     | 1   |     |
| 452715 BASE                        |     | 1   | 1   |     |
| 452715 WALL BASE                   | 1   |     |     | 1   |
| 452715 HATCH                       |     | 1   |     | 1   |
| 6-32 PHILLIPS HEAD SCREW x .500"   | 4   | 4   | 4   | 4   |
| 8-32 PHILLIPS HEAD SCREW x .500"   |     | 2   |     | 2   |
| 6-32 x .281" OVERMOLD BRASS INSERT | 4   |     | 4   |     |
| 6-32 x .625" OVERMOLD BRASS INSERT |     | 4   |     | 4   |
| MAIN SEAL O-RING                   | 1   | 1   | 1   | 1   |
| BATTERY COMPARTMENT O-RING         |     | 1   |     | 1   |

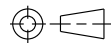


MODEL: 452715-BW  
EXPLODED VIEW  
SCALE 0.500

| 14   | No6 SHEET METAL SCREW x 1.00"   | 410 STAINLESS              | CUSTOMER SUPPLIED | 4    |
|------|---------------------------------|----------------------------|-------------------|------|
| 13   | BATTERY CARRIAGE AA - REFERENCE | KEYST # 2463               | CUSTOMER SUPPLIED | 1    |
| 12   | AA BATTERY - REFERENCE          | "AA" BATTERY SIZE          | CUSTOMER SUPPLIED | 2    |
| 11   | #4 HiLo x .250" SCREW           | ZINK PLATED                | SOLD SEPERATELY   | 4    |
| 10   | 452715 WALL BASE - STANDARD     | ASA                        | BLACK or GRAY     | 1    |
| 9    | 452715 PCB - REFERENCE          | .062" THICK                | CUSTOMER SUPPLIED | 1    |
| 8    | 452715 O-RING, MAIN SEAL        | OR-156 or EQUIV.           | INCLUDED          | 1    |
| 7    | 452715 O-RING, BATT COMP        | OTS                        | INCLUDED          | 1    |
| 6    | 452715 HATCH - STANDARD         | ASA                        | BLACK or GRAY     | 1    |
| 5    | 452715 BATTERY COVER - STANDARD | ASA                        | BLACK or GRAY     | 1    |
| 4    | 8-32 x .344" CLOSED-END INSERT  | TRISTAR 832X344MC          | OVER-MOLDED BRASS | 2    |
| 3    | 8-32 SCREW x .500               | STAINLESS STEEL - PHILLIPS | .375" LONG        | 2    |
| 2    | 6-32 x .625" INSERT             | TRISTAR 632X625C           | OVER-MOLDED BRASS | 4    |
| 1    | 6-32 SCREW x .500               | STAINLESS STEEL - PHILLIPS | .500" LONG        | 4    |
| ITEM | DESCRIPTION                     | MATERIAL                   | COLOR             | QTY. |

BILL OF MATERIALS - Wall Base & Battery Cover  
(See Sheet 3 for Standard Cover and Standard Base)

THIRD ANGLE PROJECTION



DO NOT SCALE DRAWING

TOLERANCES: UNLESS OTHERWISE SPECIFIED  
DIMENSIONS ARE IN U.S. INCHES.  
X.XX = .015 X.XXXX = .001  
X.XXX = .010 X.X" = 1"

NEW AGE ENCLOSURES

Customer's Part No: 452715

APPROVAL BY DATE

CHECK

ENG.

SCALE

AS NOTED

DRAWN BY

M BOYER 2010-Sep-17

**NEW AGE ENCLOSURES**

2240 South Thornburg Street Santa Maria, CA. 93455  
ph. (805) 595-1310 fax (805) 595-1024  
www.newageenclosures.com

INDUSTRIAL UTILITY - STANDARD  
SXL-452715X-XXX

SIZE

A 452715\_R5\_0

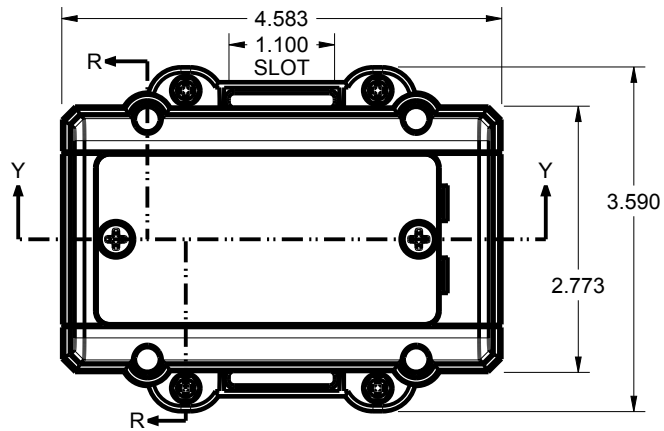
SHEET

1 OF 12

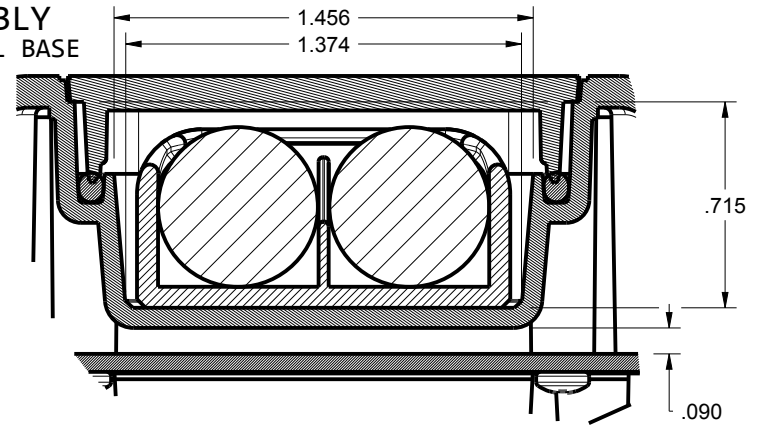
REV.DOC

5.0

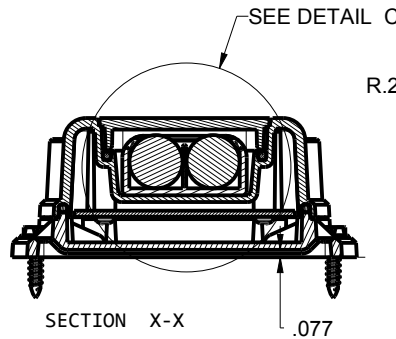
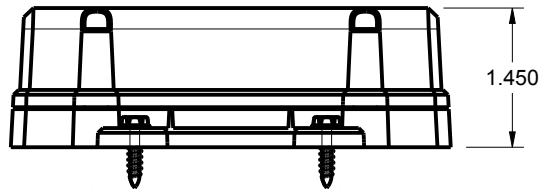
**452715-BW ASSEMBLY**  
COVER w/ BATTERY - WALL BASE



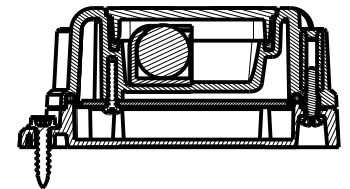
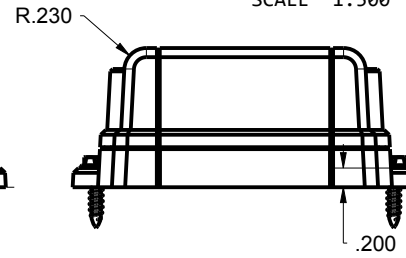
ASSEMBLY VIEW: 452715-BW  
SCALE 0.500



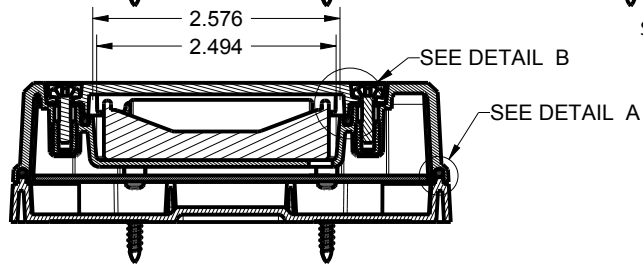
DETAIL C: 452715-BW  
SCALE 1.500



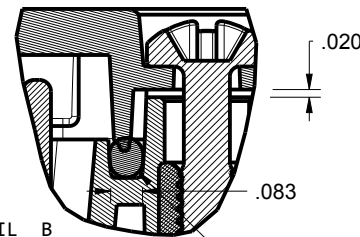
SECTION X-X



SECTION R-R

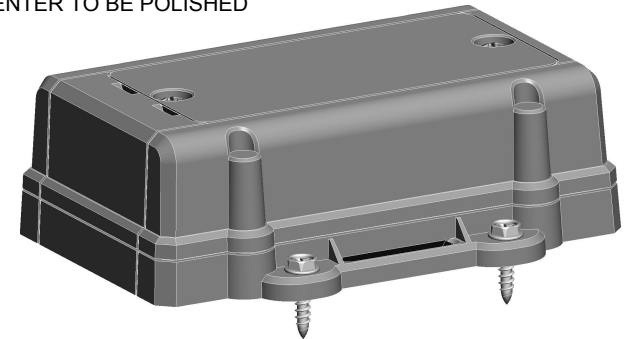


SECTION Y-Y

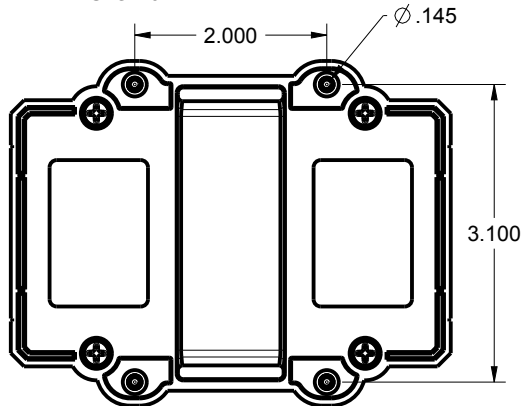


DETAIL B  
SCALE 2.000

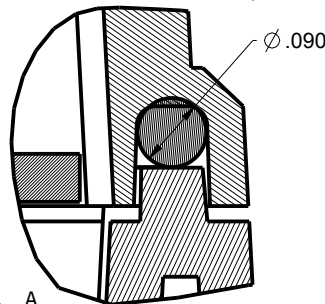
CENTER TO BE POLISHED



ISO VIEW: 452715-BW  
SCALE 0.600



DETAIL A  
SCALE 4.000



TOLERANCES: UNLESS OTHERWISE SPECIFIED  
DIMENSIONS ARE IN U.S. INCHES.

X.XX = .015 X.XXXX = .001  
X.XXX = .010 X.X° = 1°

NEW AGE ENCLOSURES

Customer's Part No: 452715

|          |          |      |
|----------|----------|------|
| APPROVAL | BY       | DATE |
| CHECK    |          |      |
| ENG.     |          |      |
| SCALE    | AS NOTED |      |

DRAWN BY  
M BOYER 2010-Sep-17

**NEW AGE ENCLOSURES**

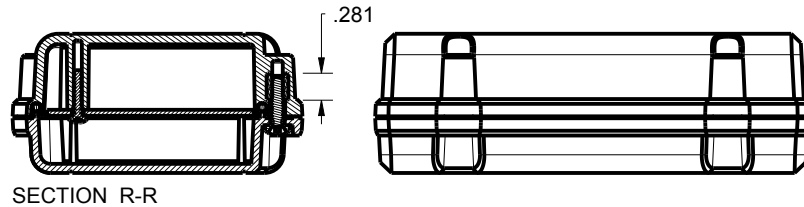
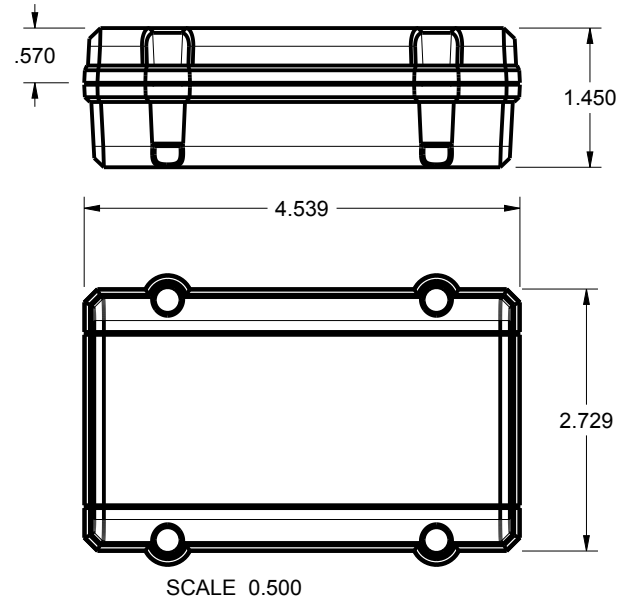
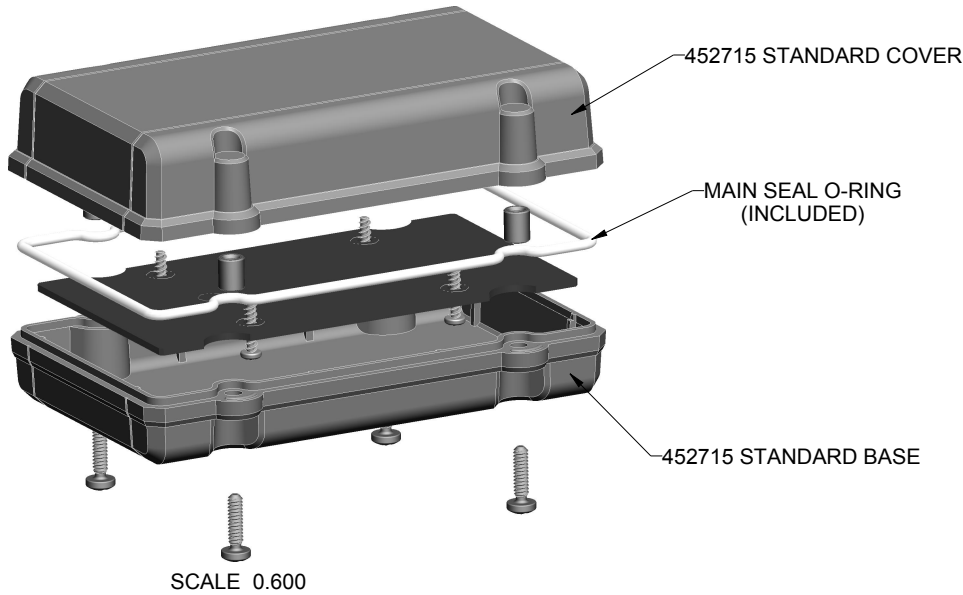
2240 South Thornburg Street Santa Maria, CA. 93455  
ph. (805) 595-1310 fax (805) 595-1024  
www.newageenclosures.com

INDUSTRIAL UTILITY - STANDARD  
SXL-452715X-XXX

|      |              |         |         |
|------|--------------|---------|---------|
| SIZE | DRAWING NAME | SHEET   | REV.DOC |
| A    | 452715_R5_0  | 2 OF 12 | 5.0     |

# 452715-SS ASSEMBLY

## STANDARD COVER - STANDARD BASE



| 452715(x) CONFIGURATIONS           |     |     |     |     |
|------------------------------------|-----|-----|-----|-----|
|                                    | -SW | -BS | -SS | -BW |
| 452715 BATTERY COVER               |     | 1   |     | 1   |
| 452715 COVER (w/o BATTERY)         | 1   |     | 1   |     |
| 452715 BASE                        |     | 1   | 1   |     |
| 452715 WALL BASE                   | 1   |     |     | 1   |
| 452715 HATCH                       |     | 1   |     | 1   |
| 6-32 PHILLIPS HEAD SCREW x .500"   | 4   | 4   | 4   | 4   |
| 8-32 PHILLIPS HEAD SCREW x .500"   |     | 2   |     | 2   |
| 6-32 x .281" OVERMOLD BRASS INSERT | 4   |     | 4   |     |
| 6-32 x .625" OVERMOLD BRASS INSERT |     | 4   |     | 4   |
| MAIN SEAL O-RING                   | 1   | 1   | 1   | 1   |
| BATTERY COMPARTMENT O-RING         |     | 1   |     | 1   |

| ITEM | DESCRIPTION              | MATERIAL                   | COLOR             | QTY. |
|------|--------------------------|----------------------------|-------------------|------|
| 7    | #4 HiLo x .250" SCREW    | ZINK PLATED                | SOLD SEPERATELY   | 4    |
| 6    | 452715 PCB - REFERENCE   | .062" THICK                | CUSTOMER SUPPLIED | 1    |
| 5    | 452715 O-RING, MAIN SEAL | OR-156 or EQUIV.           | INCLUDED          | 1    |
| 4    | 452715 COVER - STANDARD  | ASA                        | BLACK or GRAY     | 1    |
| 3    | 452715 BASE - STANDARD   | ASA                        | BLACK or GRAY     | 1    |
| 2    | 6-32 x .281" INSERT      | 832X281C                   | OVER-MOLDED BRASS | 4    |
| 1    | 6-32 SCREW x .500        | STAINLESS STEEL - PHILLIPS | .500" LONG        | 4    |

**BILL OF MATERIALS - Standard Base & Standard Cover**  
(See Sheet 1 for Battery Cover and Wall Base)

TOLERANCES: UNLESS OTHERWISE SPECIFIED  
DIMENSIONS ARE IN U.S. INCHES.  
X.XX = .015 X.XXXX = .001  
X.XXX = .010 X.X" = 1°

**NEW AGE ENCLOSURES**  
Customer's Part No: 452715

APPROVAL BY DATE  
CHECK  
ENG.  
SCALE AS NOTED

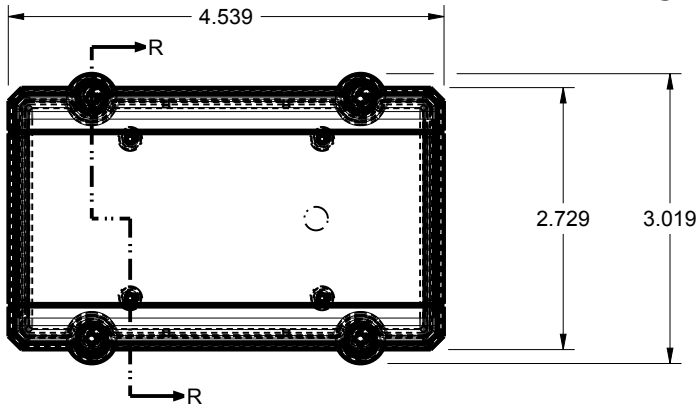
DRAWN BY M BOYER  
2010-Sep-17

**NEW AGE ENCLOSURES**  
2240 South Thornburg Street Santa Maria, CA. 93455  
ph. (805) 595-1310 fax (805) 595-1024  
www.newageenclosures.com

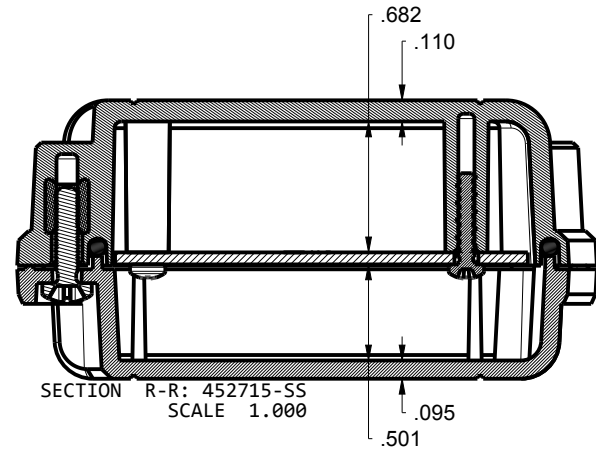
**INDUSTRIAL UTILITY - STANDARD SXL-452715X-XXX**

SIZE A DRAWING NAME 452715\_R5\_0 SHEET 3 OF 12 REV.DOC 5.0

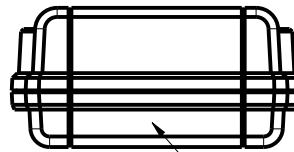
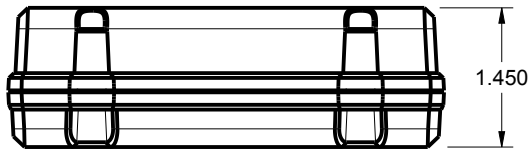
452715-SS ASSEMBLY  
COVER - BASE



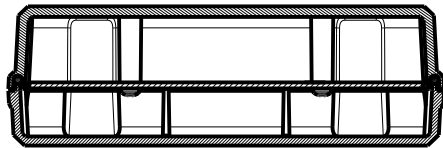
ASSEMBLY VIEW: 452715-SS  
SCALE 0.500



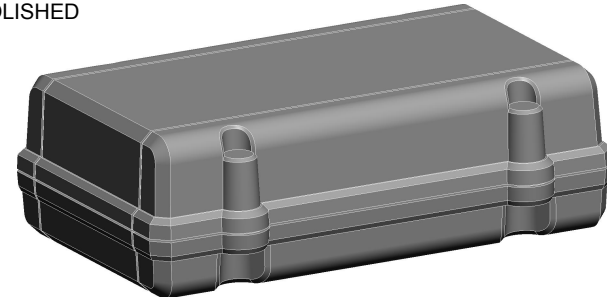
SECTION R-R: 452715-SS  
SCALE 1.000



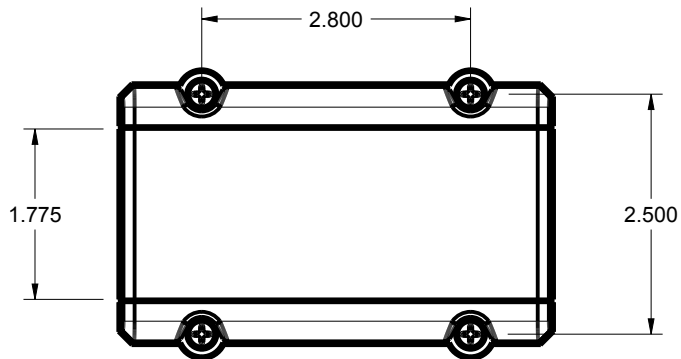
CENTER SECTION  
TO BE POLISHED



SECTION Y-Y



ISO VIEW: 452715-SS  
SCALE 0.600



TOLERANCES: UNLESS OTHERWISE SPECIFIED  
DIMENSIONS ARE IN U.S. INCHES.  
X.XX = .015 X.XXXX = .001  
X.XXX = .010 X.X° = 1°

NEW AGE ENCLOSURES  
Customer's Part No: 452715

|          |          |      |
|----------|----------|------|
| APPROVAL | BY       | DATE |
| CHECK    |          |      |
| ENG.     |          |      |
| SCALE    | AS NOTED |      |

|          |             |
|----------|-------------|
| DRAWN BY | 2010-Sep-17 |
| M BOYER  |             |

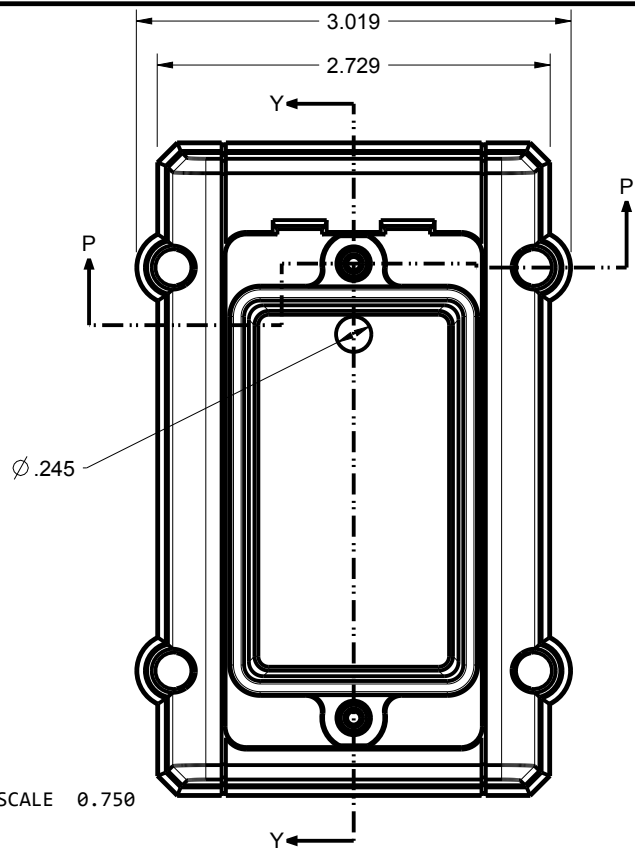
**NEW AGE ENCLOSURES**  
2240 South Thornburg Street Santa Maria, CA. 93455  
ph. (805) 595-1310 fax (805) 595-1024  
[www.newageenclosures.com](http://www.newageenclosures.com)

INDUSTRIAL UTILITY - STANDARD  
SXL-452715X-XXX

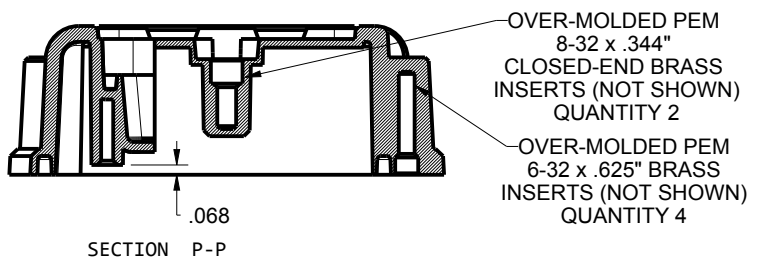
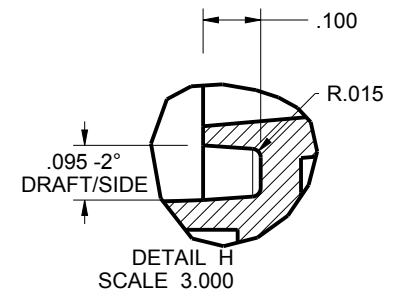
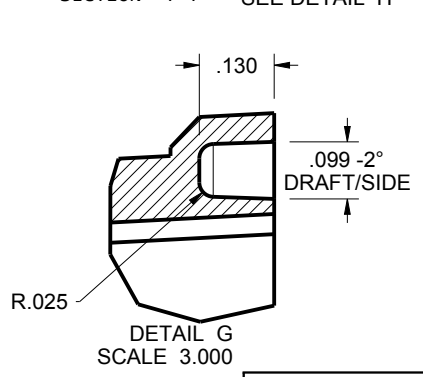
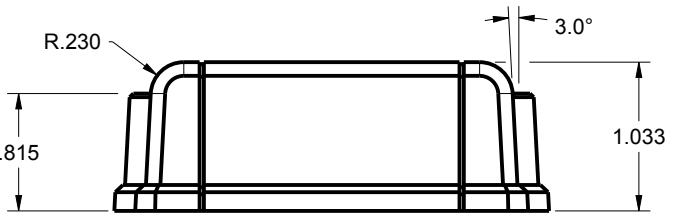
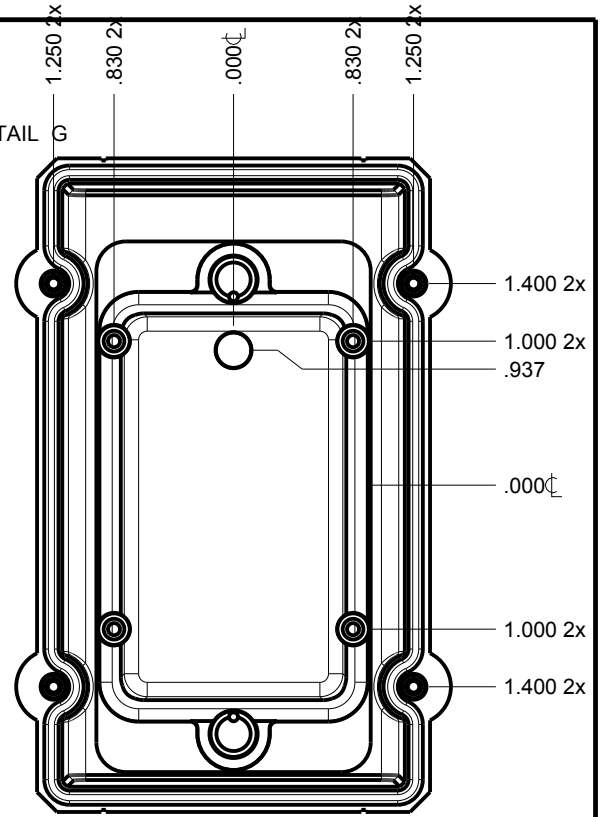
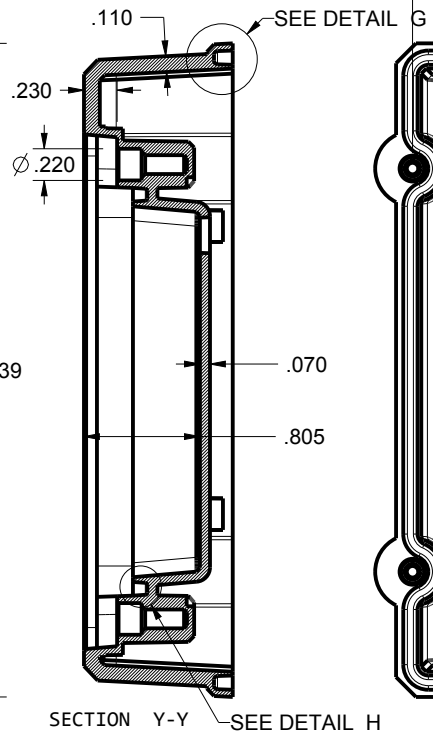
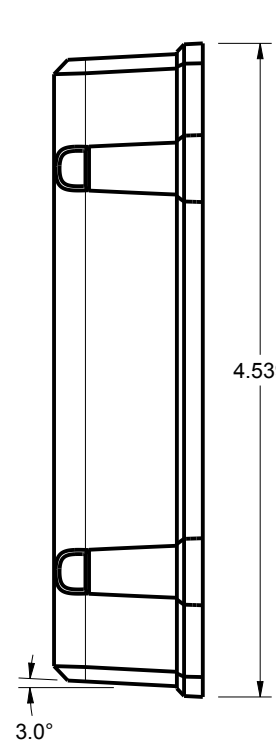
|      |              |
|------|--------------|
| SIZE | DRAWING NAME |
| A    | 452715_R5_0  |

|         |         |
|---------|---------|
| SHEET   | REV.DOC |
| 4 OF 12 | 5.0     |

**452715 BATTERY COVER**  
FOR USE IN CONFIG: -BS -BW



SCALE 0.750



TOLERANCES: UNLESS OTHERWISE SPECIFIED DIMENSIONS ARE IN U.S. INCHES.  
X.XX = .015 X.XXXX = .001  
X.XXX = .010 X.X° = 1°

**NEW AGE ENCLOSURES**  
Customer's Part No: 452715

|          |             |      |
|----------|-------------|------|
| APPROVAL | BY          | DATE |
| CHECK    |             |      |
| ENG.     |             |      |
| SCALE    | AS NOTED    |      |
| DRAWN BY | M BOYER     |      |
|          | 2010-Sep-17 |      |

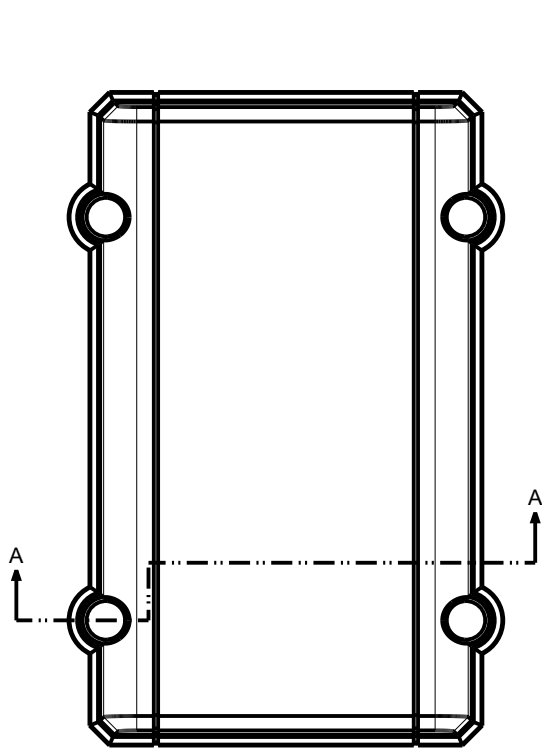
**NEW AGE ENCLOSURES**  
2240 South Thornburg Street Santa Maria, CA. 93455  
ph. (805) 595-1310 fax (805) 595-1024  
www.newageenclosures.com

**INDUSTRIAL UTILITY - STANDARD SXL-452715X-XXX**

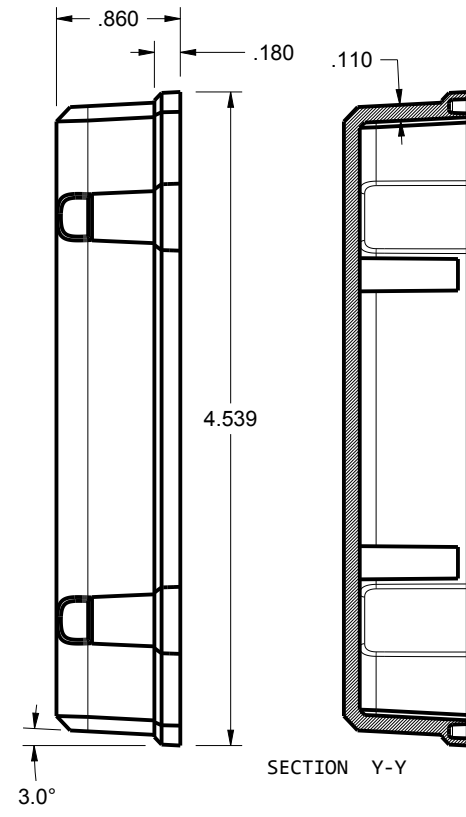
|      |              |         |         |
|------|--------------|---------|---------|
| SIZE | DRAWING NAME | SHEET   | REV.DOC |
| A    | 452715_R5_0  | 5 OF 12 | 5.0     |



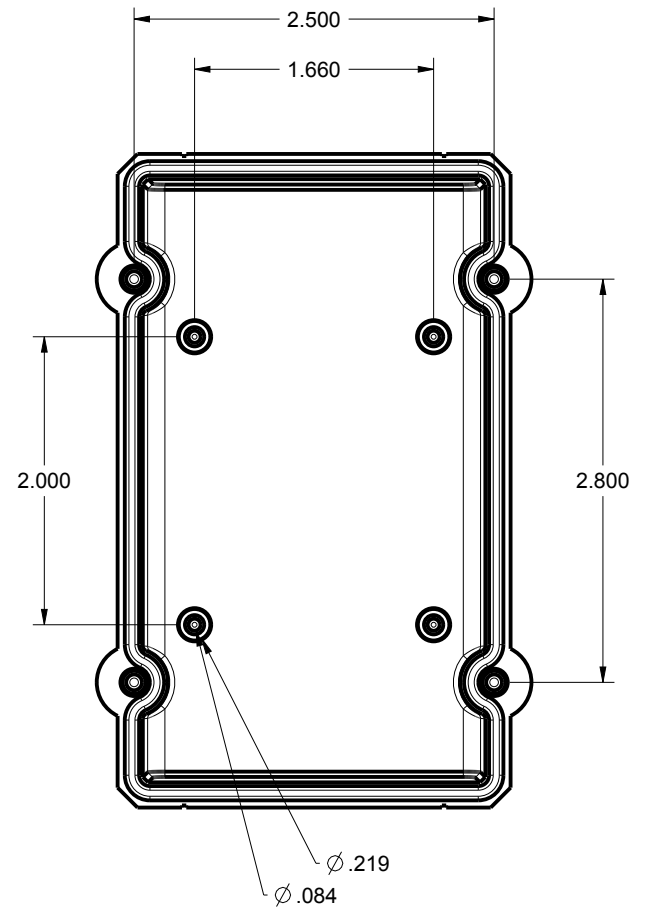
**452715 COVER**  
FOR USE IN CONFIG: -SW -SS



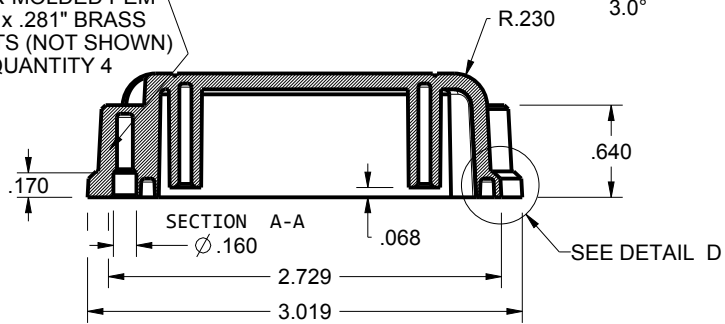
SCALE  $\phi$ .750



SECTION Y-Y

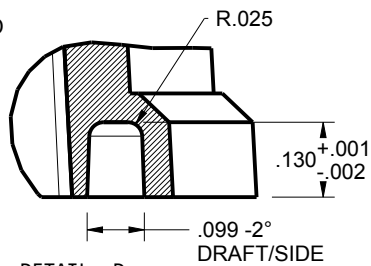


OVER-MOLDED PEM-6-32 x .281" BRASS INSERTS (NOT SHOWN) QUANTITY 4



SECTION A-A

SEE DETAIL D



DETAIL D  
SCALE 3.000



TOLERANCES: UNLESS OTHERWISE SPECIFIED DIMENSIONS ARE IN U.S. INCHES.  
X.XX = .015 X.XXXX = .001  
X.XXX = .010 X.X' = 1°

NEW AGE ENCLOSURES  
Customer's Part No: 452715

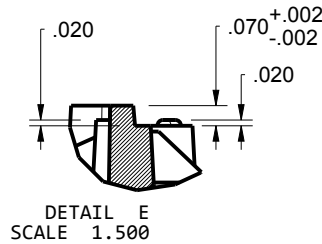
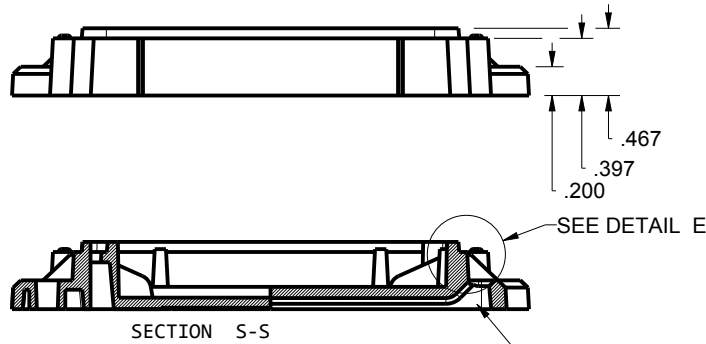
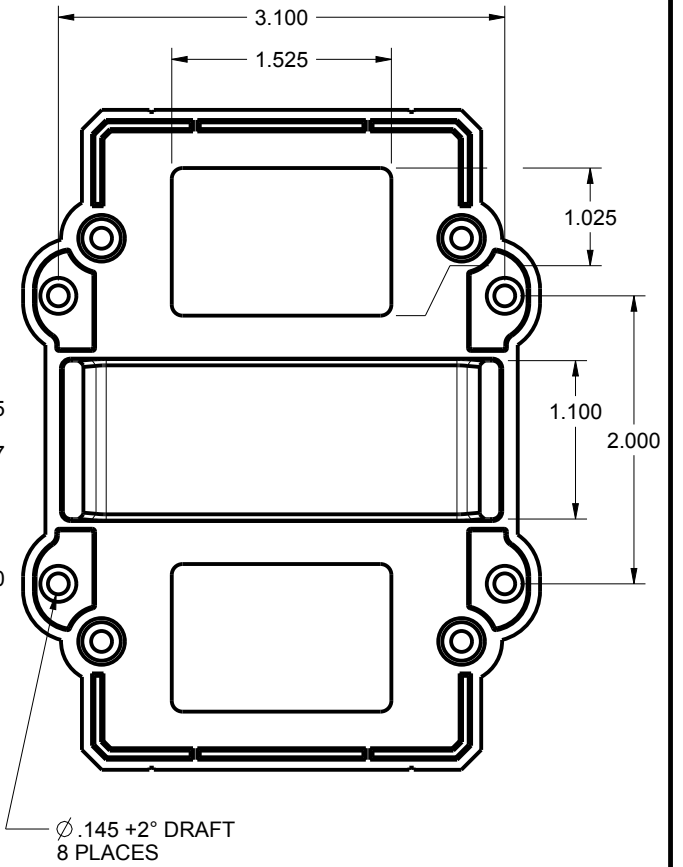
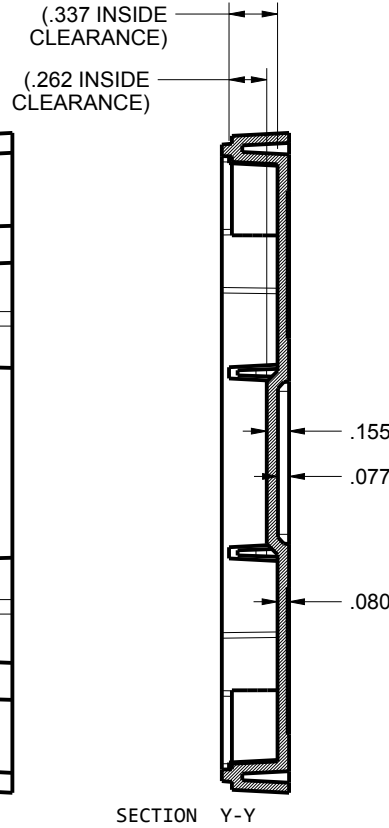
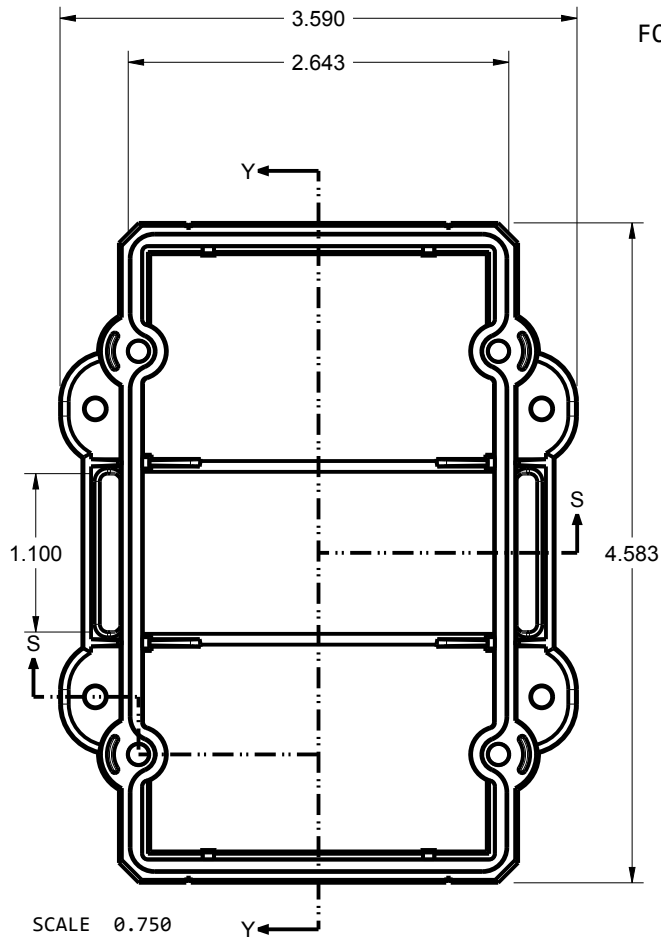
|          |             |               |
|----------|-------------|---------------|
| APPROVAL | BY          | DATE          |
| CHECK    |             |               |
| ENG.     |             |               |
| SCALE    | AS NOTED    |               |
| DRAWN BY | SIZE        | DRAWING NAME  |
| M BOYER  | 2010-Sep-17 | A 452715_R5_0 |

**NEW AGE ENCLOSURES**  
2240 South Thornburg Street Santa Maria, CA. 93455  
ph. (805) 595-1310 fax (805) 595-1024  
[www.newageenclosures.com](http://www.newageenclosures.com)

**INDUSTRIAL UTILITY - STANDARD SXL-452715X-XXX**

|         |         |
|---------|---------|
| SHEET   | REV.DOC |
| 6 OF 12 | 5.0     |

**452715 WALL BASE**  
FOR USE IN CONFIG: -SW -BW



OPENING FOR STRAP

TOLERANCES: UNLESS OTHERWISE SPECIFIED  
DIMENSIONS ARE IN U.S. INCHES.

X.XX = .015 X.XXXX = .001  
X.XXX = .010 X.X° = 1°

NEW AGE ENCLOSURES

Customer's Part No: 452715

APPROVAL BY DATE

CHECK

ENG.

SCALE AS NOTED

DRAWN BY M BOYER 2010-Sep-17

**NEW AGE ENCLOSURES**

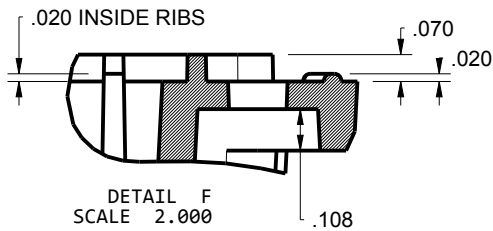
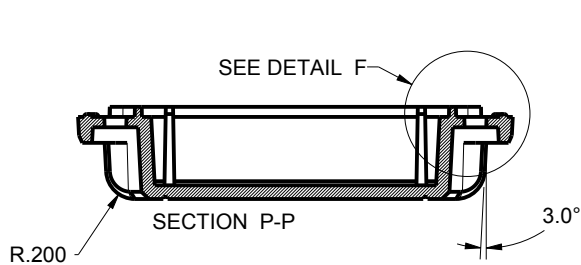
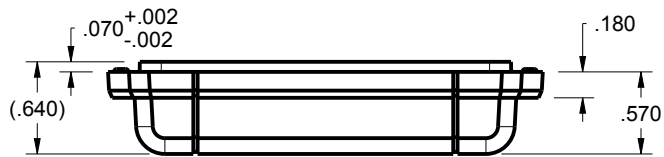
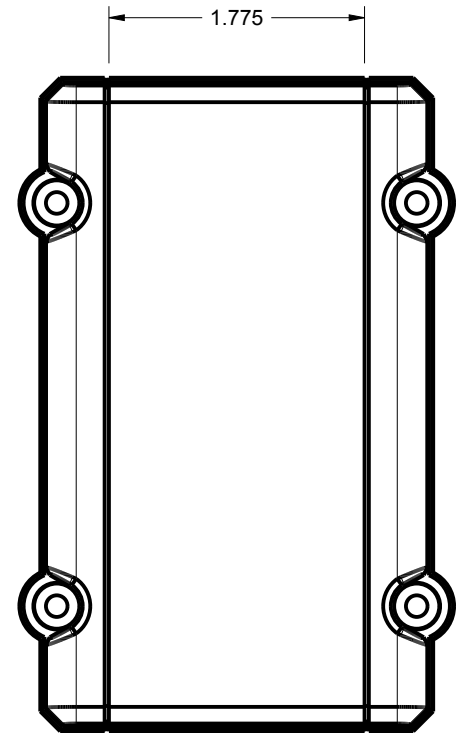
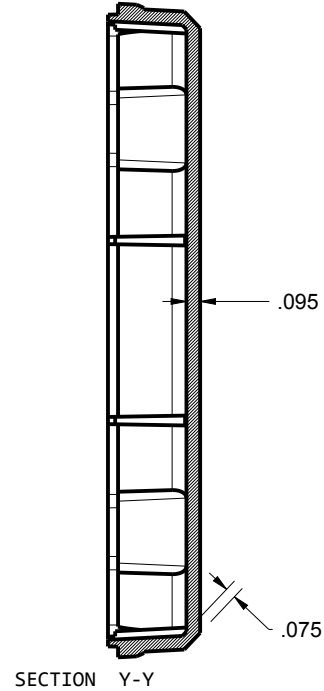
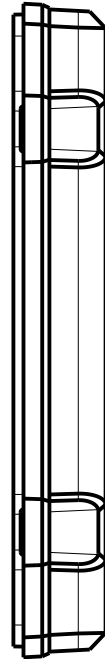
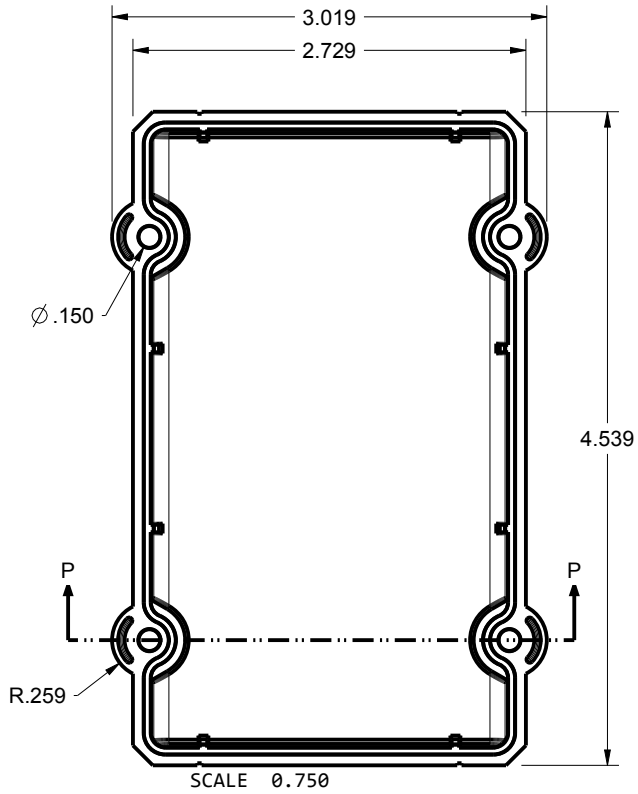
2240 South Thornburg Street Santa Maria, CA. 93455  
ph. (805) 595-1310 fax (805) 595-1024  
www.newageenclosures.com

INDUSTRIAL UTILITY - STANDARD  
SXL-452715X-XXX

SIZE A DRAWING NAME 452715\_R5\_0

SHEET 7 OF 12 REV.DOC 5.0

452715 BASE  
FOR USE IN CONFIG: -SS -BS



TOLERANCES: UNLESS OTHERWISE SPECIFIED  
DIMENSIONS ARE IN U.S. INCHES.

X.XX = .015 X.XXXX = .001  
X.XXX = .010 X.X° = 1°

NEW AGE ENCLOSURES

Customer's Part No: 452715

APPROVAL BY DATE

CHECK

ENG.

SCALE AS NOTED

DRAWN BY M BOYER 2010-Sep-17

**NEW AGE ENCLOSURES**

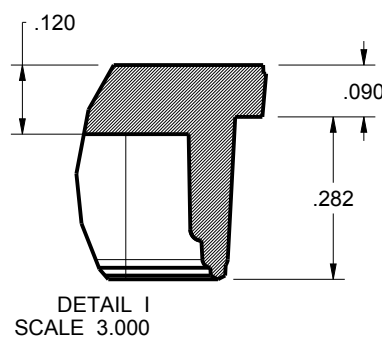
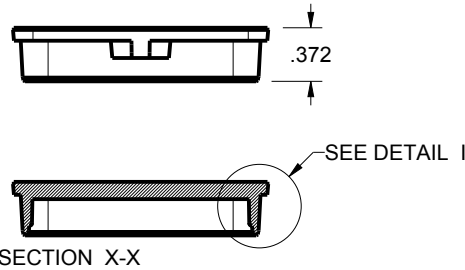
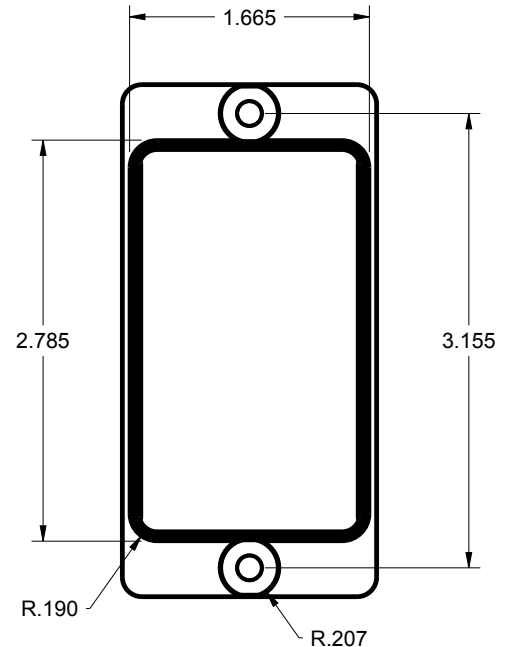
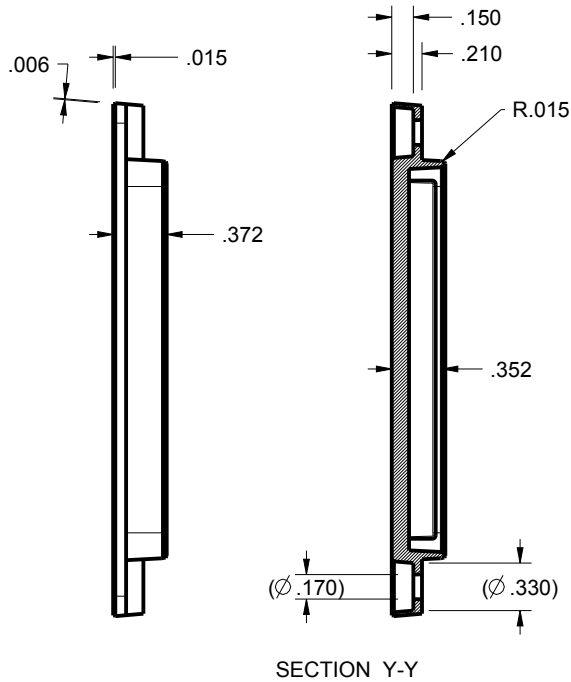
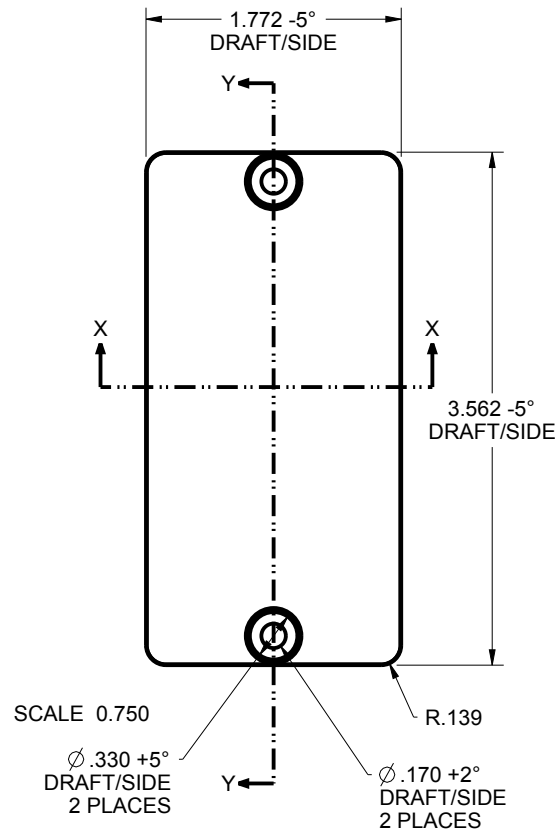
2240 South Thornburg Street Santa Maria, CA. 93455  
ph. (805) 595-1310 fax (805) 595-1024  
www.newageenclosures.com

INDUSTRIAL UTILITY - STANDARD  
SXL-452715X-XXX

SIZE A DRAWING NAME 452715\_R5\_0

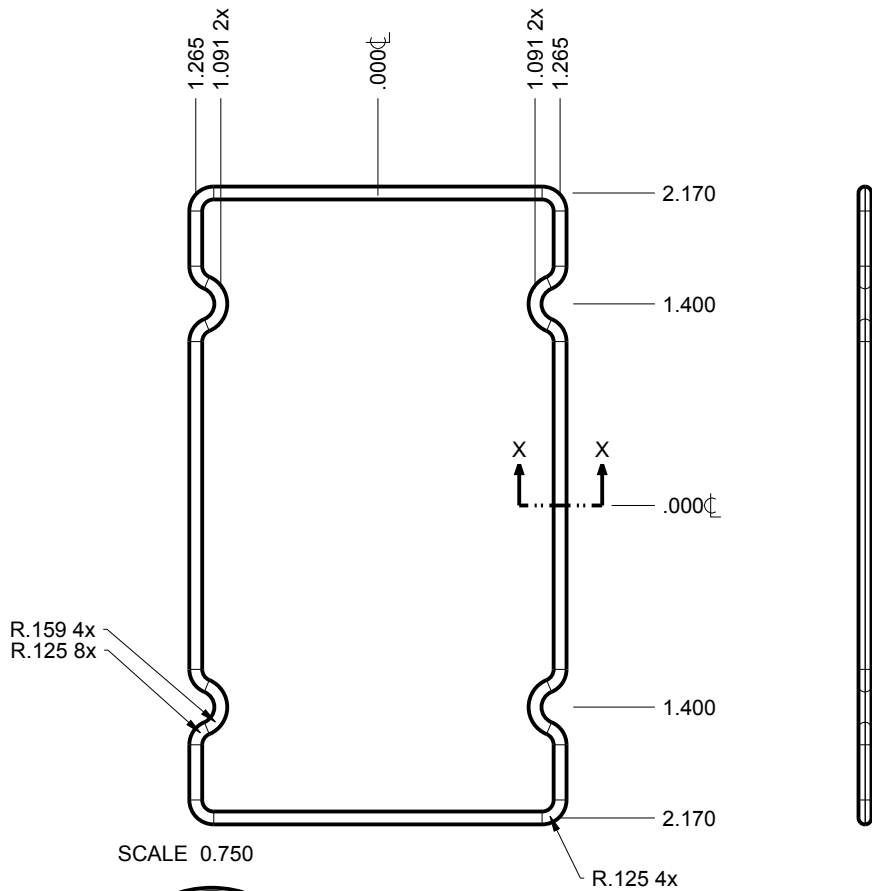
SHEET 8 OF 12 REV.DOC 5.0

452715 HATCH  
FOR USE IN CONFIG: -BS -BW

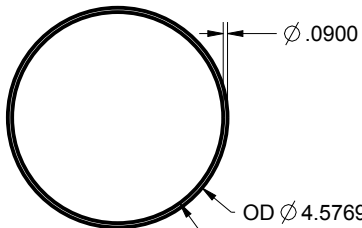


|   |             |   |         |
|---|-------------|---|---------|
| TOLERANCES: UNLESS OTHERWISE SPECIFIED<br>DIMENSIONS ARE IN U.S. INCHES.<br>X.XX = .015 X.XXXX = .001<br>X.XXX = .010 X.X° = 1° |             | <b>NEW AGE ENCLOSURES</b>   |         |
| NEW AGE ENCLOSURES  |             | 2240 South Thornburg Street Santa Maria, CA. 93455<br>ph. (805) 595-1310 fax (805) 595-1024<br>www.newageenclosures.com |         |
| Customer's Part No: 452715  |             |   |         |
| APPROVAL  | BY          | DATE  |         |
| CHECK   |             |   |         |
| ENG.  |             |   |         |
| SCALE   | AS NOTED    |   |         |
| DRAWN BY  | SIZE        | DRAWING NAME  | SHEET   |
| M BOYER   | 2010-Sep-17 | A 452715_R5_0   | 9 OF 12 |
|   |             |   | REV.DOC |
|   |             |   | 5.0     |

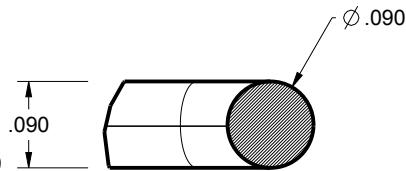
**452715 MAIN O-RING**  
FOR USE IN ALL CONFIGURATIONS



SCALE 0.750

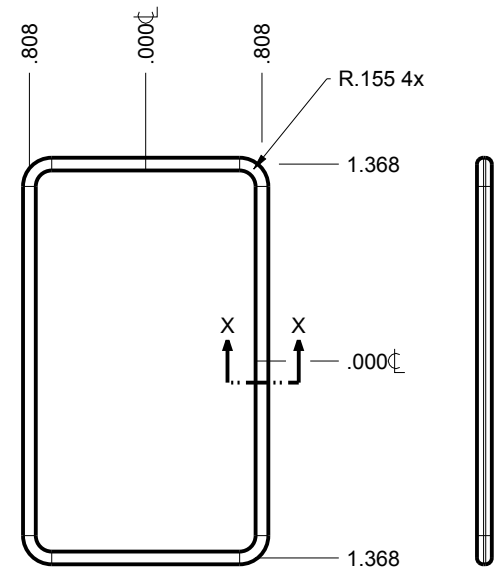


OR-156 or EQUIV.  
SCALE 0.250

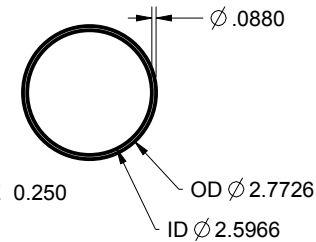


SECTION X-X  
SCALE 5.000

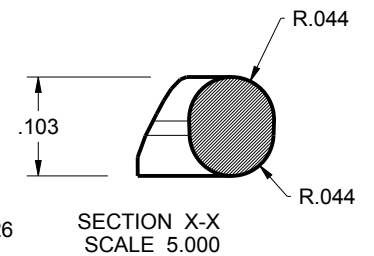
**452715 BATTERY O-RING**  
FOR USE IN CONFIG: -BS -BW



SCALE 0.750



SCALE 0.250



SECTION X-X  
SCALE 5.000

TOLERANCES: UNLESS OTHERWISE SPECIFIED  
DIMENSIONS ARE IN U.S. INCHES.  
X.XX = .015 X.XXXX = .001  
X.XXX = .010 X.X° = 1°

NEW AGE ENCLOSURES  
Customer's Part No: 452715

APPROVAL BY DATE

CHECK

ENG.

SCALE AS NOTED

DRAWN BY M BOYER 2010-Sep-17

**NEW AGE ENCLOSURES**  
2240 South Thornburg Street Santa Maria, CA. 93455  
ph. (805) 595-1310 fax (805) 595-1024

www.newageenclosures.com

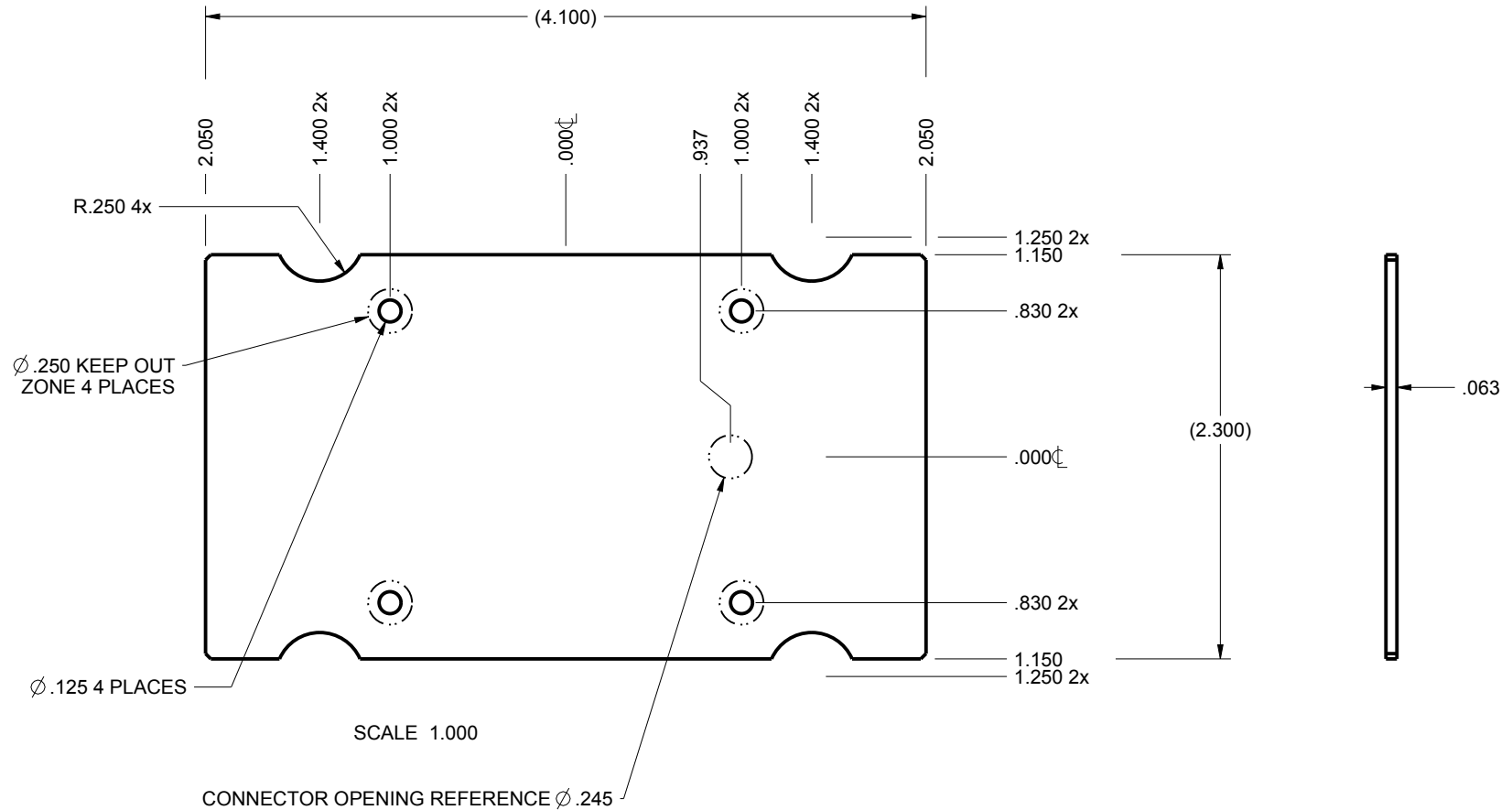
INDUSTRIAL UTILITY - STANDARD  
SXL-452715X-XXX

SIZE A DRAWING NAME 452715\_R5\_0

SHEET 10 OF 12 REV.DOC 5.0

# 452715 PCB - Customer Supplied

PCB SIZES ARE RECOMMENDATIONS ONLY. FINAL SIZES AND VERIFICATION OF ITS FIT ARE THE SOLE RESPONSIBILITY OF THE OEM.



TOLERANCES: UNLESS OTHERWISE SPECIFIED DIMENSIONS ARE IN U.S. INCHES.  
 X.XX = .015 X.XXXX = .001  
 X.XXX = .010 X.X° = 1°

NEW AGE ENCLOSURES  
 Customer's Part No: 452715

|          |          |      |
|----------|----------|------|
| APPROVAL | BY       | DATE |
| CHECK    |          |      |
| ENG.     |          |      |
| SCALE    | AS NOTED |      |

DRAWN BY  
 M BOYER 2010-Sep-17

**NEW AGE ENCLOSURES**  
 2240 South Thornburg Street Santa Maria, CA. 93455  
 ph. (805) 595-1310 fax (805) 595-1024  
[www.newageenclosures.com](http://www.newageenclosures.com)

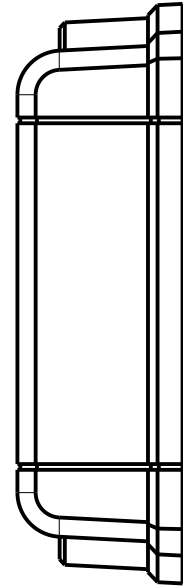
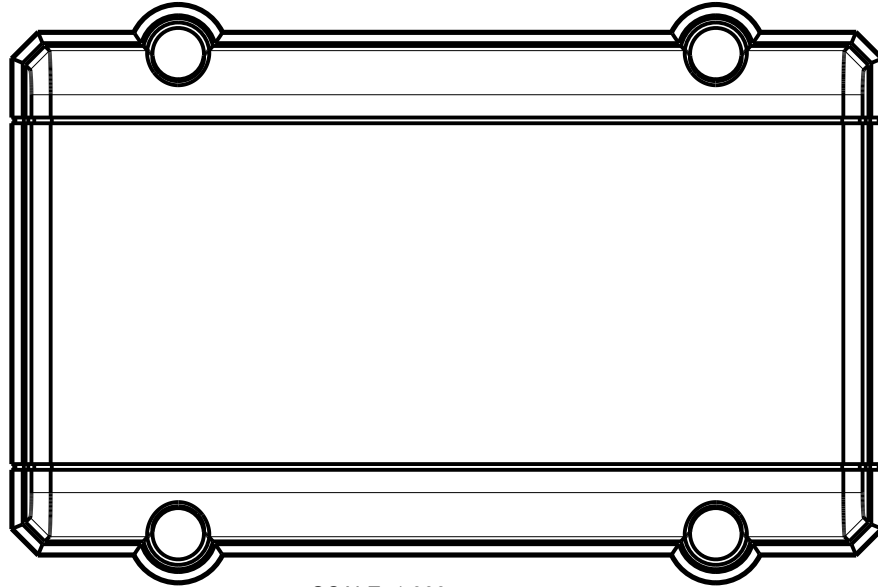
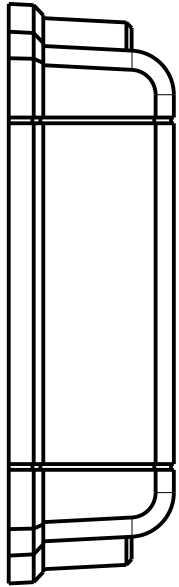
INDUSTRIAL UTILITY - STANDARD  
 SXL-452715X-XXX

SIZE A DRAWING NAME  
 452715\_R5\_0

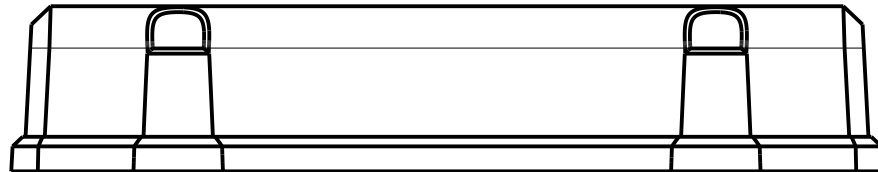
SHEET 11 OF 12 REV.DOC 5.0

# 452715 2nd OPERATION DETAILS

NEW AGE ENCLOSURES DELIVERS YOUR ENCLOSURE MARKET-READY WITH IN-HOUSE  
 CNC MACHINING, PAD PRINTING, ASSEMBLY, AND FULFILLMENT.  
 ALL SURFACES AND AREAS ARE AVAILABLE FOR CNC ALTERATION BY NEW AGE ENCLOSURES  
 CALL (805) 595-1310 FOR PRICING AND SCHEDULE.  
 THE INSIDE RADIUS OF ANY MACHINED FEATURES SHOULD BE NO SMALLER THAN .031"



SCALE 1.000



## SXL-452715-XXX COVER - ASA, BLACK

| STEP NO | DESCRIPTION | CUTTER        | FIXTURE | ORIENTATION | PROGRAM |
|---------|-------------|---------------|---------|-------------|---------|
| 1-C-C1  | -           | T2 = .062" EM | 266     | -           | o1000   |
| 2-C-C2  | -           | T2 = .062" EM | 266     | -           | o1000   |
| 3-C-C3  | -           | T2 = .062" EM | 266     | -           | o1000   |

TOLERANCES: UNLESS OTHERWISE SPECIFIED  
 DIMENSIONS ARE IN U.S. INCHES.  
 X.XX = .015 X.XXXX = .001  
 X.XXX = .010 X.X° = 1°

NEW AGE ENCLOSURES  
 Customer's Part No: 452715

**NEW AGE ENCLOSURES**

2240 South Thornburg Street Santa Maria, CA. 93455  
 ph. (805) 595-1310 fax (805) 595-1024  
[www.newageenclosures.com](http://www.newageenclosures.com)

|          |             |      |
|----------|-------------|------|
| APPROVAL | BY          | DATE |
| CHECK    |             |      |
| ENG.     |             |      |
| SCALE    | AS NOTED    |      |
| DRAWN BY | M BOYER     |      |
|          | 2010-Sep-17 |      |

INDUSTRIAL UTILITY - STANDARD  
 SXL-452715X-XXX

| SXL-452715-XXX COVER - ASA, BLACK |           |         |           |                    |            |
|-----------------------------------|-----------|---------|-----------|--------------------|------------|
| STEP                              | TYPE      | FIXTURE | INK COLOR | CLICHE DESCRIPTION | CLICHE No. |
| 4-P-P1                            | PAD PRINT | 267     | -         | -                  | CLxxxx R1  |

|      |              |          |         |
|------|--------------|----------|---------|
| SIZE | DRAWING NAME | SHEET    | REV.DOC |
| A    | 452715_R5_0  | 12 OF 12 | 5.0     |