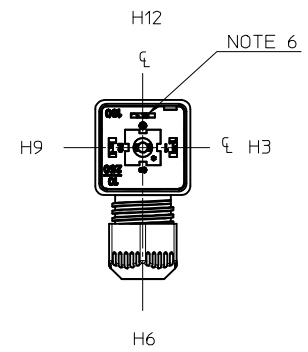
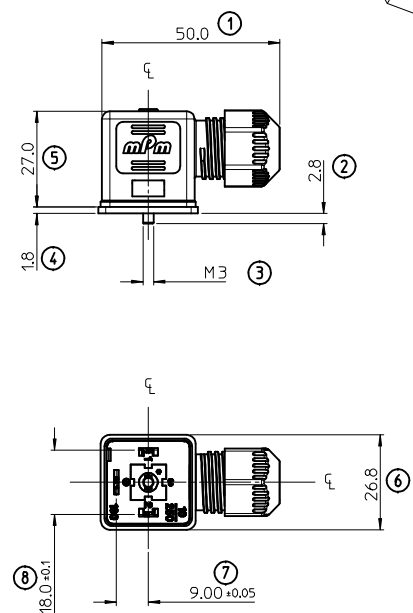
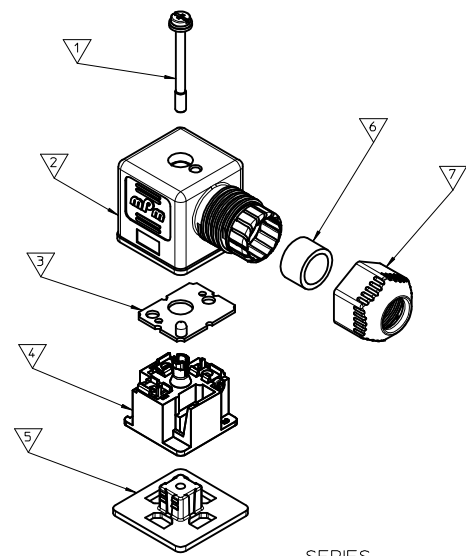


ITEM	DESCRIPTION
1	M3 SCREW WITH GASKET
2	TYPE A COVER
3	PCB
4	TYPE A INSERT
5	TYPE A GASKET
6	GROMMET
7	EXTERNAL NUT

S28200NC410R\*\*



SERIES \_\_\_\_\_  
 S28= EXTERNAL THREAD FORM A  
 POLES \_\_\_\_\_  
 2= 2 POLE  
 THREAD \_\_\_\_\_  
 00 = EXTERNAL THREAD  
 MATERIAL AND HOUSING COLOR \_\_\_\_\_  
 G= PA6 GRAY, N= PA6 BLACK, W= PA6 BLACK V0, T= TRANSPARENT  
 CIRCUIT \_\_\_\_\_  
 SEE DETAILS IN CATALOGUE  
 VOLTAGE \_\_\_\_\_  
 SEE DETAILS IN CATALOGUE  
 GROUND POSITION \_\_\_\_\_  
 0= UNMOUNTED, 2= H12, 3=H3, 6 =H6 & 9= H9  
 SCREW AND GASKET \_\_\_\_\_  
 R= INTEGRATED NBR GASKET AND IP67 SCREW  
 S= INTEGRATED SILICON GASKET AND IP67 SCREW  
 NON STANDARD PACKAGING \_\_\_\_\_  
 CN= BULK PACK UN-MOUNTED  
 SN= BULK PACK MOUNTED  
 67= NEUTRAL PACKAGING  
 SA= UL LISTED

NOTES

- FOR SPECIFIC PART NUMBERS PLEASE CONTACT SALES OR CONSULT THE INTELLIGENT PART NUMBERS IN THE TABLE ATTACHED
- PRODUCT SPEC: SEE PS-121201-001
- PACKAGING SPEC: SEE PK-121201-001
- CABLE SIZES 4 - 9 mm DIAMETER
- TIGHTENING TORQUE: SEE PS-121201-001
- GROUND POSITION SHOWN H12

LAST INSPECTION NUMBER USED 8

ADDED P/N EC NO: IPG2014-0491 DRW:HSHEA 2013/09/11 CHKD:SMGREVY 2013/09/13 APPR:STGERLFIN 2013/09/26	QUALITY SYMBOLS ▽=0 ▽=0	GENERAL TOLERANCES (UNLESS SPECIFIED)		DIMENSION STYLE <b>MM ONLY</b>		SCALE <b>1:1</b>	DESIGN UNITS <b>METRIC</b>	THIRD ANGLE PROJECTION	
		4 PLACES ± --- ± --- 3 PLACES ± --- ± --- 2 PLACES ± 0.1 ± --- 1 PLACE ± 0.2 ± --- ANGULAR ± ---°	mm INCH ± --- ± --- ± 0.1 ± --- ± 0.2 ± ---	DRAWN BY DMAHER_WEU	DATE 2010/03/15	TITLE <b>TYPE A 2P ASSEMBLY          SERIES 121207</b>		<b>MOLEX INCORPORATED</b>	
G	DESCRIPTION	DRAFT WHERE APPLICABLE MUST REMAIN WITHIN DIMENSIONS		APPROVED BY JWALLACE	DATE 2010/03/24	DOCUMENT NO. <b>SD-121207-001</b>		SHEET NO. <b>1 OF 6</b>	
		SEE TABLES		THIS DRAWING CONTAINS INFORMATION THAT IS PROPRIETARY TO MOLEX INCORPORATED AND SHOULD NOT BE USED WITHOUT WRITTEN PERMISSION					

Part No	MPM Part No	DESCRIPTION	CIRCUIT	VOLTAGE	INDICATOR
1212070062	S28200TA010R	TYPE A 2 POLE TRANSPARENT	A0	12v	LAMP/NEON
1212070063	S28200TA020R	TYPE A 2 POLE TRANSPARENT	A0	24v	LAMP/NEON
1212070064	S28200TA030R	TYPE A 2 POLE TRANSPARENT	A0	48v	LAMP/NEON
1212070065	S28200TA040R	TYPE A 2 POLE TRANSPARENT	A0	115v	LAMP/NEON
1212070066	S28200TA050R	TYPE A 2 POLE TRANSPARENT	A0	230v	LAMP/NEON

Part No	MPM Part No	DESCRIPTION	CIRCUIT	VOLTAGE	INDICATOR
1212070067	S28200TA110R	TYPE A 2 POLE TRANSPARENT	A1	12v	RED LED
1212070068	S28200TA120R	TYPE A 2 POLE TRANSPARENT	A1	24v	RED LED
1212070069	S28200TA130R	TYPE A 2 POLE TRANSPARENT	A1	48v	RED LED
1212070070	S28200TA140R	TYPE A 2 POLE TRANSPARENT	A1	115v	RED LED
1212070071	S28200TA150R	TYPE A 2 POLE TRANSPARENT	A1	230v	RED LED
1212070072	S28200TA1A0R	TYPE A 2 POLE TRANSPARENT	A1	12v	GREEN LED
1212070073	S28200TA1B0R	TYPE A 2 POLE TRANSPARENT	A1	24v	GREEN LED
1212070074	S28200TA1C0R	TYPE A 2 POLE TRANSPARENT	A1	48v	GREEN LED
1212070075	S28200TA1D0R	TYPE A 2 POLE TRANSPARENT	A1	115v	GREEN LED
1212070076	S28200TA1E0R	TYPE A 2 POLE TRANSPARENT	A1	230v	GREEN LED
1212070077	S28200TA1G0R	TYPE A 2 POLE TRANSPARENT	A1	12v	AMBER LED
1212070078	S28200TA1H0R	TYPE A 2 POLE TRANSPARENT	A1	24v	AMBER LED
1212070079	S28200TA1K0R	TYPE A 2 POLE TRANSPARENT	A1	48v	AMBER LED
1212070080	S28200TA1L0R	TYPE A 2 POLE TRANSPARENT	A1	115v	AMBER LED
1212070081	S28200TA1M0R	TYPE A 2 POLE TRANSPARENT	A1	230v	AMBER LED
1212070534	S28200TA1H0RSA	TYPE A 2 POLE TRANSPARENT UL LISTED	A1	24v	AMBER LED

Part No	MPM Part No	DESCRIPTION	CIRCUIT	VOLTAGE	INDICATOR
1212070082	S28200TC310R	TYPE A 2 POLE TRANSPARENT	C3	12v	RED LED
1212070001	S28200TC320R	TYPE A 2 POLE TRANSPARENT	C3	24v	RED LED
1212070083	S28200TC330R	TYPE A 2 POLE TRANSPARENT	C3	48v	RED LED
1212070084	S28200TC340R	TYPE A 2 POLE TRANSPARENT	C3	115v	RED LED
1212070085	S28200TC350R	TYPE A 2 POLE TRANSPARENT	C3	230v	RED LED
1212070086	S28200TC3A0R	TYPE A 2 POLE TRANSPARENT	C3	12v	GREEN LED
1212070087	S28200TC3B0R	TYPE A 2 POLE TRANSPARENT	C3	24v	GREEN LED
1212070088	S28200TC3C0R	TYPE A 2 POLE TRANSPARENT	C3	48v	GREEN LED
1212070089	S28200TC3D0R	TYPE A 2 POLE TRANSPARENT	C3	115v	GREEN LED
1212070090	S28200TC3E0R	TYPE A 2 POLE TRANSPARENT	C3	230v	GREEN LED
1212070091	S28200TC3G0R	TYPE A 2 POLE TRANSPARENT	C3	12v	AMBER LED
1212070002	S28200TC3H0R	TYPE A 2 POLE TRANSPARENT	C3	24v	AMBER LED
1212070092	S28200TC3K0R	TYPE A 2 POLE TRANSPARENT	C3	48v	AMBER LED
1212070093	S28200TC3L0R	TYPE A 2 POLE TRANSPARENT	C3	115v	AMBER LED
1212070094	S28200TC3M0R	TYPE A 2 POLE TRANSPARENT	C3	230v	AMBER LED

Part No	MPM Part No	DESCRIPTION	CIRCUIT	VOLTAGE	INDICATOR
1212070095	S28200TC410R	TYPE A 2 POLE TRANSPARENT	C4	12v	RED LED
1212070004	S28200TC420R	TYPE A 2 POLE TRANSPARENT	C4	24v	RED LED
1212070096	S28200TC430R	TYPE A 2 POLE TRANSPARENT	C4	48v	RED LED
1212070006	S28200TC440R	TYPE A 2 POLE TRANSPARENT	C4	115v	RED LED
1212070097	S28200TC450R	TYPE A 2 POLE TRANSPARENT	C4	230v	RED LED
1212070098	S28200TC4A0R	TYPE A 2 POLE TRANSPARENT	C4	12v	GREEN LED
1212070099	S28200TC4B0R	TYPE A 2 POLE TRANSPARENT	C4	24v	GREEN LED
1212070100	S28200TC4C0R	TYPE A 2 POLE TRANSPARENT	C4	48v	GREEN LED
1212070101	S28200TC4D0R	TYPE A 2 POLE TRANSPARENT	C4	115v	GREEN LED
1212070102	S28200TC4E0R	TYPE A 2 POLE TRANSPARENT	C4	230v	GREEN LED
1212070103	S28200TC4G0R	TYPE A 2 POLE TRANSPARENT	C4	12v	AMBER LED
1212070005	S28200TC4H0R	TYPE A 2 POLE TRANSPARENT	C4	24v	AMBER LED
1212070104	S28200TC4K0R	TYPE A 2 POLE TRANSPARENT	C4	48v	AMBER LED
1212070105	S28200TC4L0R	TYPE A 2 POLE TRANSPARENT	C4	115v	AMBER LED
1212070106	S28200TC4M0R	TYPE A 2 POLE TRANSPARENT	C4	230v	AMBER LED

Part No	MPM Part No	DESCRIPTION	CIRCUIT	VOLTAGE	INDICATOR
1212070107	S28200TD010R	TYPE A 2 POLE TRANSPARENT	D0	12v	VDR
1212070108	S28200TD020R	TYPE A 2 POLE TRANSPARENT	D0	24v	VDR
1212070109	S28200TD030R	TYPE A 2 POLE TRANSPARENT	D0	48v	VDR
1212070110	S28200TD040R	TYPE A 2 POLE TRANSPARENT	D0	115v	VDR
1212070111	S28200TD050R	TYPE A 2 POLE TRANSPARENT	D0	230v	VDR

Part No	MPM Part No	DESCRIPTION	CIRCUIT	VOLTAGE	INDICATOR
1212070116	S28200NE050R	TYPE A 2 POLE BLACK	E0	230v	DIODE

Part No	MPM Part No	DESCRIPTION - BULK PACKED
1212070003	S28200TC3B0RCN	S282 T W PCB C3 24V GREEN LED BULK
1212070061	S28200TC420RCN	S282 T W PCB C4 24V RED LED BULK

SEE SHEET 1 EC NO: PG2014-0491 DRAWN: JHEA 2013/09/11 CHKD: SMGREVY 2013/09/13 APPR: STGRIFIN 2013/09/26	DESCRIPTION REV	QUALITY SYMBOLS ▽=0 ▽=0	GENERAL TOLERANCES (UNLESS SPECIFIED) <table border="1"> <tr><th></th><th>mm</th><th>INCH</th></tr> <tr><td>4 PLACES</td><td>± .005</td><td>± .0004</td></tr> <tr><td>3 PLACES</td><td>± .008</td><td>± .0003</td></tr> <tr><td>2 PLACES</td><td>± .015</td><td>± .0006</td></tr> <tr><td>1 PLACE</td><td>± .030</td><td>± .0012</td></tr> <tr><td colspan="2">ANGULAR</td><td>± .0050</td></tr> </table>		mm	INCH	4 PLACES	± .005	± .0004	3 PLACES	± .008	± .0003	2 PLACES	± .015	± .0006	1 PLACE	± .030	± .0012	ANGULAR		± .0050	DIMENSION STYLE <b>MM ONLY</b>	SCALE <b>1:1</b>	DESIGN UNITS <b>METRIC</b>	THIRD ANGLE PROJECTION
			mm	INCH																					
		4 PLACES	± .005	± .0004																					
		3 PLACES	± .008	± .0003																					
2 PLACES	± .015	± .0006																							
1 PLACE	± .030	± .0012																							
ANGULAR		± .0050																							
DRAWN BY: DMAHER_WEU 2010/03/15 CHECKED BY:			TITLE <b>TYPE A 2P ASSEMBLY SERIES 121207</b>																						
APPROVED BY: JWALLACE 2010/03/24 MATERIAL NO.			MOLEX INCORPORATED DOCUMENT NO.																						
DRAFT WHERE APPLICABLE MUST REMAIN WITHIN DIMENSIONS			SEE TABLES SD-121207-001 SHEET NO. 2 OF 6																						

Part No	MPM Part No	DESCRIPTION	CIRCUIT	VOLTAGE	INDICATOR
1212070117	S28200TS010R	TYPE A 2 POLE TRANSPARENT	S0	12v	RED LED
1212070118	S28200TS020R	TYPE A 2 POLE TRANSPARENT	S0	24v	RED LED
1212070119	S28200TS030R	TYPE A 2 POLE TRANSPARENT	S0	48v	RED LED
1212070120	S28200TS040R	TYPE A 2 POLE TRANSPARENT	S0	115v	RED LED
1212070121	S28200TS050R	TYPE A 2 POLE TRANSPARENT	S0	230v	RED LED
1212070122	S28200TS0A0R	TYPE A 2 POLE TRANSPARENT	S0	12v	GREEN LED
1212070123	S28200TS0B0R	TYPE A 2 POLE TRANSPARENT	S0	24v	GREEN LED
1212070124	S28200TS0C0R	TYPE A 2 POLE TRANSPARENT	S0	48v	GREEN LED
1212070125	S28200TS0D0R	TYPE A 2 POLE TRANSPARENT	S0	115v	GREEN LED
1212070126	S28200TS0E0R	TYPE A 2 POLE TRANSPARENT	S0	230v	GREEN LED
1212070127	S28200TS0G0R	TYPE A 2 POLE TRANSPARENT	S0	12v	AMBER LED
1212070128	S28200TS0H0R	TYPE A 2 POLE TRANSPARENT	S0	24v	AMBER LED
1212070129	S28200TS0K0R	TYPE A 2 POLE TRANSPARENT	S0	48v	AMBER LED
1212070130	S28200TS0L0R	TYPE A 2 POLE TRANSPARENT	S0	115v	AMBER LED
1212070131	S28200TS0M0R	TYPE A 2 POLE TRANSPARENT	S0	230v	AMBER LED

Part No	MPM Part No	DESCRIPTION	CIRCUIT	VOLTAGE	INDICATOR
1212070504	S28200TA110RCN	TYPE A 2 POLE TRANSPARENT	A1	12v	RED LED
1212070505	S28200TA120RCN	TYPE A 2 POLE TRANSPARENT	A1	24v	RED LED
1212070506	S28200TA130RCN	TYPE A 2 POLE TRANSPARENT	A1	48v	RED LED
1212070507	S28200TA140RCN	TYPE A 2 POLE TRANSPARENT	A1	115v	RED LED
1212070508	S28200TA150RCN	TYPE A 2 POLE TRANSPARENT	A1	230v	RED LED
1212070509	S28200TA1A0RCN	TYPE A 2 POLE TRANSPARENT	A1	12v	GREEN LED
1212070510	S28200TA1B0RCN	TYPE A 2 POLE TRANSPARENT	A1	24v	GREEN LED
1212070511	S28200TA1C0RCN	TYPE A 2 POLE TRANSPARENT	A1	48v	GREEN LED
1212070512	S28200TA1D0RCN	TYPE A 2 POLE TRANSPARENT	A1	115v	GREEN LED
1212070513	S28200TA1E0RCN	TYPE A 2 POLE TRANSPARENT	A1	230v	GREEN LED
1212070514	S28200TA1G0RCN	TYPE A 2 POLE TRANSPARENT	A1	12v	AMBER LED
1212070515	S28200TA1H0RCN	TYPE A 2 POLE TRANSPARENT	A1	24v	AMBER LED
1212070516	S28200TA1K0RCN	TYPE A 2 POLE TRANSPARENT	A1	48v	AMBER LED
1212070517	S28200TA1L0RCN	TYPE A 2 POLE TRANSPARENT	A1	115v	AMBER LED
1212070518	S28200TA1M0RCN	TYPE A 2 POLE TRANSPARENT	A1	230v	AMBER LED

Part No	MPM Part No	DESCRIPTION	CIRCUIT	VOLTAGE	INDICATOR
1212070132	S28200NS110R	TYPE A 2 POLE BLACK	S1	12v	NO LED
1212070133	S28200NS120R	TYPE A 2 POLE BLACK	S1	24v	NO LED
1212070134	S28200NS130R	TYPE A 2 POLE BLACK	S1	48v	NO LED
1212070135	S28200NS140R	TYPE A 2 POLE BLACK	S1	115v	NO LED
1212070136	S28200NS150R	TYPE A 2 POLE BLACK	S1	230v	NO LED

Part No	MPM Part No	DESCRIPTION	CIRCUIT	VOLTAGE	INDICATOR
1212070446	S28200TC320RCN	TYPE A 2 POLE TRANSPARENT	C3	24v	RED LED
1212070447	S28200TC330RCN	TYPE A 2 POLE TRANSPARENT	C3	48v	RED LED
1212070448	S28200TC340RCN	TYPE A 2 POLE TRANSPARENT	C3	115v	RED LED
1212070449	S28200TC350RCN	TYPE A 2 POLE TRANSPARENT	C3	230v	RED LED
1212070450	S28200TC3A0RCN	TYPE A 2 POLE TRANSPARENT	C3	12v	GREEN LED
1212070451	S28200TC3C0RCN	TYPE A 2 POLE TRANSPARENT	C3	48v	GREEN LED
1212070452	S28200TC3D0RCN	TYPE A 2 POLE TRANSPARENT	C3	115v	GREEN LED
1212070453	S28200TC3E0RCN	TYPE A 2 POLE TRANSPARENT	C3	230v	GREEN LED
1212070454	S28200TC3G0RCN	TYPE A 2 POLE TRANSPARENT	C3	12v	AMBER LED
1212070455	S28200TC3H0RCN	TYPE A 2 POLE TRANSPARENT	C3	24v	AMBER LED
1212070456	S28200TC3K0RCN	TYPE A 2 POLE TRANSPARENT	C3	48v	AMBER LED
1212070457	S28200TC3L0RCN	TYPE A 2 POLE TRANSPARENT	C3	115v	AMBER LED
1212070458	S28200TC3M0RCN	TYPE A 2 POLE TRANSPARENT	C3	230v	AMBER LED

Part No	MPM Part No	DESCRIPTION	CIRCUIT	VOLTAGE	INDICATOR
1212070227	S28200TA010RCN	TYPE A 2 POLE TRANSPARENT	A0	12v	LAMP/NEON
1212070228	S28200TA020RCN	TYPE A 2 POLE TRANSPARENT	A0	24v	LAMP/NEON
1212070229	S28200TA030RCN	TYPE A 2 POLE TRANSPARENT	A0	48v	LAMP/NEON
1212070230	S28200TA040RCN	TYPE A 2 POLE TRANSPARENT	A0	115v	LAMP/NEON
1212070231	S28200TA050RCN	TYPE A 2 POLE TRANSPARENT	A0	230v	LAMP/NEON

<b>SEE SHEET 1</b> EC NO: IPGZ014-0491 DRW:MSHEA 2013/09/11 CHKD:SMGREVY 2013/09/13 APPR:STGRIFLIN 2013/09/26	<b>QUALITY SYMBOLS</b> 	<b>GENERAL TOLERANCES (UNLESS SPECIFIED)</b> <table border="1"> <tr> <th></th> <th>mm</th> <th>INCH</th> </tr> <tr> <td>4 PLACES</td> <td>± .005</td> <td>± .0004</td> </tr> <tr> <td>3 PLACES</td> <td>± .008</td> <td>± .0005</td> </tr> <tr> <td>2 PLACES</td> <td>± 0.1</td> <td>± .004</td> </tr> <tr> <td>1 PLACE</td> <td>± 0.2</td> <td>± .008</td> </tr> <tr> <td colspan="3">ANGULAR ± .005°</td> </tr> </table>		mm	INCH	4 PLACES	± .005	± .0004	3 PLACES	± .008	± .0005	2 PLACES	± 0.1	± .004	1 PLACE	± 0.2	± .008	ANGULAR ± .005°			<b>DIMENSION STYLE</b> <b>MM ONLY</b>	<b>SCALE</b> <b>1:1</b>	<b>DESIGN UNITS</b> <b>METRIC</b>	<b>THIRD ANGLE PROJECTION</b>
		mm	INCH																					
	4 PLACES	± .005	± .0004																					
	3 PLACES	± .008	± .0005																					
2 PLACES	± 0.1	± .004																						
1 PLACE	± 0.2	± .008																						
ANGULAR ± .005°																								
<b>DRAFT WHERE APPLICABLE MUST REMAIN WITHIN DIMENSIONS</b>		<table border="1"> <tr> <th>DRAWN BY</th> <th>DATE</th> <th>TITLE</th> </tr> <tr> <td>DMAHER_WEU</td> <td>2010/03/15</td> <td>TYPE A 2P ASSEMBLY SERIES 121207</td> </tr> <tr> <th>CHECKED BY</th> <th>DATE</th> <td></td> </tr> <tr> <td></td> <td></td> <td></td> </tr> </table>	DRAWN BY	DATE	TITLE	DMAHER_WEU	2010/03/15	TYPE A 2P ASSEMBLY SERIES 121207	CHECKED BY	DATE					<b>MOLEX INCORPORATED</b>									
DRAWN BY	DATE	TITLE																						
DMAHER_WEU	2010/03/15	TYPE A 2P ASSEMBLY SERIES 121207																						
CHECKED BY	DATE																							
		<table border="1"> <tr> <th>APPROVED BY</th> <th>DATE</th> <th>DOCUMENT NO.</th> </tr> <tr> <td>JWALLACE</td> <td>2010/03/24</td> <td>SD-121207-001</td> </tr> </table>	APPROVED BY	DATE	DOCUMENT NO.	JWALLACE	2010/03/24	SD-121207-001	<b>SEE TABLES</b>															
APPROVED BY	DATE	DOCUMENT NO.																						
JWALLACE	2010/03/24	SD-121207-001																						
		<b>THIS DRAWING CONTAINS INFORMATION THAT IS PROPRIETARY TO MOLEX INCORPORATED AND SHOULD NOT BE USED WITHOUT WRITTEN PERMISSION</b>																						

Part No	MPM Part No	DESCRIPTION	CIRCUIT	VOLTAGE	INDICATOR
1212070387	S28200TC410RCN	TYPE A 2 POLE TRANSPARENT	C4	12v	RED LED
1212070388	S28200TC430RCN	TYPE A 2 POLE TRANSPARENT	C4	48v	RED LED
1212070389	S28200TC440RCN	TYPE A 2 POLE TRANSPARENT	C4	115v	RED LED
1212070390	S28200TC450RCN	TYPE A 2 POLE TRANSPARENT	C4	230v	RED LED
1212070391	S28200TC4A0RCN	TYPE A 2 POLE TRANSPARENT	C4	12v	GREEN LED
1212070392	S28200TC4B0RCN	TYPE A 2 POLE TRANSPARENT	C4	24v	GREEN LED
1212070393	S28200TC4C0RCN	TYPE A 2 POLE TRANSPARENT	C4	48v	GREEN LED
1212070394	S28200TC4D0RCN	TYPE A 2 POLE TRANSPARENT	C4	115v	GREEN LED
1212070395	S28200TC4E0RCN	TYPE A 2 POLE TRANSPARENT	C4	230v	GREEN LED
1212070396	S28200TC4G0RCN	TYPE A 2 POLE TRANSPARENT	C4	12v	AMBER LED
1212070397	S28200TC4H0RCN	TYPE A 2 POLE TRANSPARENT	C4	24v	AMBER LED
1212070398	S28200TC4K0RCN	TYPE A 2 POLE TRANSPARENT	C4	48v	AMBER LED
1212070399	S28200TC4L0RCN	TYPE A 2 POLE TRANSPARENT	C4	115v	AMBER LED
1212070400	S28200TC4M0RCN	TYPE A 2 POLE TRANSPARENT	C4	230v	AMBER LED

Part No	MPM Part No	DESCRIPTION	CIRCUIT	VOLTAGE	INDICATOR
1212070287	S28200TD010RCN	TYPE A 2 POLE TRANSPARENT	D0	12v	VDR
1212070288	S28200TD020RCN	TYPE A 2 POLE TRANSPARENT	D0	24v	VDR
1212070289	S28200TD030RCN	TYPE A 2 POLE TRANSPARENT	D0	48v	VDR
1212070290	S28200TD040RCN	TYPE A 2 POLE TRANSPARENT	D0	115v	VDR
1212070291	S28200TD050RCN	TYPE A 2 POLE TRANSPARENT	D0	230v	VDR

Part No	MPM Part No	DESCRIPTION	CIRCUIT	VOLTAGE	INDICATOR
1212070271	S28200NE050RCN	TYPE A 2 POLE BLACK	EO	230v	DIODE

Part No	MPM Part No	DESCRIPTION	CIRCUIT	VOLTAGE	INDICATOR
1212070327	S28200TS010RCN	TYPE A 2 POLE TRANSPARENT	S0	12v	RED LED
1212070328	S28200TS020RCN	TYPE A 2 POLE TRANSPARENT	S0	24v	RED LED
1212070329	S28200TS030RCN	TYPE A 2 POLE TRANSPARENT	S0	48v	RED LED
1212070330	S28200TS040RCN	TYPE A 2 POLE TRANSPARENT	S0	115v	RED LED
1212070331	S28200TS050RCN	TYPE A 2 POLE TRANSPARENT	S0	230v	RED LED
1212070332	S28200TS0A0RCN	TYPE A 2 POLE TRANSPARENT	S0	12v	GREEN LED
1212070333	S28200TS0B0RCN	TYPE A 2 POLE TRANSPARENT	S0	24v	GREEN LED
1212070334	S28200TS0C0RCN	TYPE A 2 POLE TRANSPARENT	S0	48v	GREEN LED
1212070335	S28200TS0D0RCN	TYPE A 2 POLE TRANSPARENT	S0	115v	GREEN LED
1212070336	S28200TS0E0RCN	TYPE A 2 POLE TRANSPARENT	S0	230v	GREEN LED
1212070337	S28200TS0G0RCN	TYPE A 2 POLE TRANSPARENT	S0	12v	AMBER LED
1212070338	S28200TS0H0RCN	TYPE A 2 POLE TRANSPARENT	S0	24v	AMBER LED
1212070339	S28200TS0K0RCN	TYPE A 2 POLE TRANSPARENT	S0	48v	AMBER LED
1212070340	S28200TS0L0RCN	TYPE A 2 POLE TRANSPARENT	S0	115v	AMBER LED
1212070341	S28200TS0M0RCN	TYPE A 2 POLE TRANSPARENT	S0	230v	AMBER LED

Part No	MPM Part No	DESCRIPTION	CIRCUIT	VOLTAGE	INDICATOR
1212070247	S28200NS110RCN	TYPE A 2 POLE BLACK	S1	12v	NO LED
1212070248	S28200NS120RCN	TYPE A 2 POLE BLACK	S1	24v	NO LED
1212070249	S28200NS130RCN	TYPE A 2 POLE BLACK	S1	48v	NO LED
1212070250	S28200NS140RCN	TYPE A 2 POLE BLACK	S1	115v	NO LED
1212070251	S28200NS150RCN	TYPE A 2 POLE BLACK	S1	230v	NO LED

Part No	MPM Part No	DESCRIPTION	CIRCUIT	VOLTAGE	INDICATOR
1212070217	S28200TA012RSN	TYPE A 2 POLE TRANSPARENT	A0	12v	LAMP/NEON
1212070218	S28200TA022RSN	TYPE A 2 POLE TRANSPARENT	A0	24v	LAMP/NEON
1212070219	S28200TA032RSN	TYPE A 2 POLE TRANSPARENT	A0	48v	LAMP/NEON
1212070220	S28200TA042RSN	TYPE A 2 POLE TRANSPARENT	A0	115v	LAMP/NEON
1212070221	S28200TA052RSN	TYPE A 2 POLE TRANSPARENT	A0	230v	LAMP/NEON

<b>SEE SHEET 1</b> EC NO: IPG2014-0491 DRW:HSHEA 2013/09/11 CHKD:SMGREVY 2013/09/13 APPR:STGRIFIN 2013/09/26	QUALITY SYMBOLS	GENERAL TOLERANCES (UNLESS SPECIFIED)	DIMENSION STYLE	SCALE	DESIGN UNITS	THIRD ANGLE PROJECTION																		
	$\nabla=0$ $\nabla=0$	<table border="1"> <tr><th></th><th>mm</th><th>INCH</th></tr> <tr><td>4 PLACES</td><td>± ---</td><td>± ---</td></tr> <tr><td>3 PLACES</td><td>± ---</td><td>± ---</td></tr> <tr><td>2 PLACES</td><td>± 0.1</td><td>± ---</td></tr> <tr><td>1 PLACE</td><td>± 0.2</td><td>± ---</td></tr> <tr><td>ANGULAR</td><td colspan="2">± ---°</td></tr> </table>		mm	INCH	4 PLACES	± ---	± ---	3 PLACES	± ---	± ---	2 PLACES	± 0.1	± ---	1 PLACE	± 0.2	± ---	ANGULAR	± ---°		<b>MM ONLY</b> DRAWN BY: DMAHER.WEU DATE: 2010/03/15 CHECKED BY: DATE:	1:1	METRIC	
		mm	INCH																					
	4 PLACES	± ---	± ---																					
3 PLACES	± ---	± ---																						
2 PLACES	± 0.1	± ---																						
1 PLACE	± 0.2	± ---																						
ANGULAR	± ---°																							
DRAFT WHERE APPLICABLE MUST REMAIN WITHIN DIMENSIONS	APPROVED BY: JWALLACE DATE: 2010/03/24 MATERIAL NO.	TITLE: TYPE A 2P ASSEMBLY SERIES 121207 <b>MOLEX INCORPORATED</b> DOCUMENT NO. SD-121207-001																						
SIZE: <b>A2</b> THIS DRAWING CONTAINS INFORMATION THAT IS PROPRIETARY TO MOLEX INCORPORATED AND SHOULD NOT BE USED WITHOUT WRITTEN PERMISSION						SHEET NO. 4 OF 6																		

Part No	MPM Part No	DESCRIPTION	CIRCUIT	VOLTAGE	INDICATOR
1212070474	S28200TA112RSN	TYPE A 2 POLE TRANSPARENT	A1	12v	RED LED
1212070475	S28200TA122RSN	TYPE A 2 POLE TRANSPARENT	A1	24v	RED LED
1212070476	S28200TA132RSN	TYPE A 2 POLE TRANSPARENT	A1	48v	RED LED
1212070477	S28200TA142RSN	TYPE A 2 POLE TRANSPARENT	A1	115v	RED LED
1212070478	S28200TA152RSN	TYPE A 2 POLE TRANSPARENT	A1	230v	RED LED
1212070479	S28200TA1A2RSN	TYPE A 2 POLE TRANSPARENT	A1	12v	GREEN LED
1212070480	S28200TA1B2RSN	TYPE A 2 POLE TRANSPARENT	A1	24v	GREEN LED
1212070481	S28200TA1C2RSN	TYPE A 2 POLE TRANSPARENT	A1	48v	GREEN LED
1212070482	S28200TA1D2RSN	TYPE A 2 POLE TRANSPARENT	A1	115v	GREEN LED
1212070483	S28200TA1E2RSN	TYPE A 2 POLE TRANSPARENT	A1	230v	GREEN LED
1212070484	S28200TA1G2RSN	TYPE A 2 POLE TRANSPARENT	A1	12v	AMBER LED
1212070485	S28200TA1H2RSN	TYPE A 2 POLE TRANSPARENT	A1	24v	AMBER LED
1212070486	S28200TA1K2RSN	TYPE A 2 POLE TRANSPARENT	A1	48v	AMBER LED
1212070487	S28200TA1L2RSN	TYPE A 2 POLE TRANSPARENT	A1	115v	AMBER LED
1212070488	S28200TA1M2RSN	TYPE A 2 POLE TRANSPARENT	A1	230v	AMBER LED

Part No	MPM Part No	DESCRIPTION	CIRCUIT	VOLTAGE	INDICATOR
1212070466	S28200TC312RSN	TYPE A 2 POLE TRANSPARENT	C3	12v	RED LED
1212070467	S28200TC322RSN	TYPE A 2 POLE TRANSPARENT	C3	24v	RED LED
1212070468	S28200TC332RSN	TYPE A 2 POLE TRANSPARENT	C3	48v	RED LED
1212070469	S28200TC342RSN	TYPE A 2 POLE TRANSPARENT	C3	115v	RED LED
1212070420	S28200TC352RSN	TYPE A 2 POLE TRANSPARENT	C3	230v	RED LED
1212070421	S28200TC3A2RSN	TYPE A 2 POLE TRANSPARENT	C3	12v	GREEN LED
1212070422	S28200TC3B2RSN	TYPE A 2 POLE TRANSPARENT	C3	24v	GREEN LED
1212070423	S28200TC3C2RSN	TYPE A 2 POLE TRANSPARENT	C3	48v	GREEN LED
1212070424	S28200TC3D2RSN	TYPE A 2 POLE TRANSPARENT	C3	115v	GREEN LED
1212070425	S28200TC3E2RSN	TYPE A 2 POLE TRANSPARENT	C3	230v	GREEN LED
1212070426	S28200TC3G2RSN	TYPE A 2 POLE TRANSPARENT	C3	12v	AMBER LED
1212070427	S28200TC3H2RSN	TYPE A 2 POLE TRANSPARENT	C3	24v	AMBER LED
1212070428	S28200TC3K2RSN	TYPE A 2 POLE TRANSPARENT	C3	48v	AMBER LED
1212070429	S28200TC3L2RSN	TYPE A 2 POLE TRANSPARENT	C3	115v	AMBER LED
1212070430	S28200TC3M2RSN	TYPE A 2 POLE TRANSPARENT	C3	230v	AMBER LED

Part No	MPM Part No	DESCRIPTION	CIRCUIT	VOLTAGE	INDICATOR
1212070357	S28200TC412RSN	TYPE A 2 POLE TRANSPARENT	C4	12v	RED LED
1212070358	S28200TC422RSN	TYPE A 2 POLE TRANSPARENT	C4	24v	RED LED
1212070359	S28200TC432RSN	TYPE A 2 POLE TRANSPARENT	C4	48v	RED LED
1212070360	S28200TC442RSN	TYPE A 2 POLE TRANSPARENT	C4	115v	RED LED
1212070361	S28200TC452RSN	TYPE A 2 POLE TRANSPARENT	C4	230v	RED LED
1212070362	S28200TC4A2RSN	TYPE A 2 POLE TRANSPARENT	C4	12v	GREEN LED
1212070363	S28200TC4B2RSN	TYPE A 2 POLE TRANSPARENT	C4	24v	GREEN LED
1212070364	S28200TC4C2RSN	TYPE A 2 POLE TRANSPARENT	C4	48v	GREEN LED
1212070365	S28200TC4D2RSN	TYPE A 2 POLE TRANSPARENT	C4	115v	GREEN LED
1212070366	S28200TC4E2RSN	TYPE A 2 POLE TRANSPARENT	C4	230v	GREEN LED
1212070367	S28200TC4G2RSN	TYPE A 2 POLE TRANSPARENT	C4	12v	AMBER LED
1212070368	S28200TC4H2RSN	TYPE A 2 POLE TRANSPARENT	C4	24v	AMBER LED
1212070369	S28200TC4K2RSN	TYPE A 2 POLE TRANSPARENT	C4	48v	AMBER LED
1212070370	S28200TC4L2RSN	TYPE A 2 POLE TRANSPARENT	C4	115v	AMBER LED
1212070371	S28200TC4M2RSN	TYPE A 2 POLE TRANSPARENT	C4	230v	AMBER LED
1212070535	S28200TC4M2RSNSA	TYPE A 2 POLE TRANSPARENT UL LISTED	C4	230v	AMBER LED

Part No	MPM Part No	DESCRIPTION	CIRCUIT	VOLTAGE	INDICATOR
1212070277	S28200TD012RSN	TYPE A 2 POLE TRANSPARENT	D0	12v	VDR
1212070278	S28200TD022RSN	TYPE A 2 POLE TRANSPARENT	D0	24v	VDR
1212070279	S28200TD032RSN	TYPE A 2 POLE TRANSPARENT	D0	48v	VDR
1212070280	S28200TD042RSN	TYPE A 2 POLE TRANSPARENT	D0	115v	VDR
1212070281	S28200TD052RSN	TYPE A 2 POLE TRANSPARENT	D0	230v	VDR

Part No	MPM Part No	DESCRIPTION	CIRCUIT	VOLTAGE	INDICATOR
1212070261	S28200NE052RSN	TYPE A 2 POLE BLACK	EO	230v	DIODE

<b>SEE SHEET 1</b> EC NO: IPG2014-0491 DRW:HSHEA 2013/09/11 CHKD:SMGREVY 2013/09/13 APPR:STGERLFIN 2013/09/26	QUALITY SYMBOLS	GENERAL TOLERANCES (UNLESS SPECIFIED)	DIMENSION STYLE <b>MM ONLY</b>	SCALE <b>1:1</b>	DESIGN UNITS <b>METRIC</b>	THIRD ANGLE PROJECTION																													
	$\nabla=0$ $\nabla=0$	<table border="1"> <tr><th>mm</th><th>INCH</th></tr> <tr><td>4 PLACES ±---</td><td>±---</td></tr> <tr><td>3 PLACES ±---</td><td>±---</td></tr> <tr><td>2 PLACES ±0.1</td><td>±---</td></tr> <tr><td>1 PLACE ±0.2</td><td>±---</td></tr> <tr><td>ANGULAR ±---</td><td>°</td></tr> </table>	mm	INCH	4 PLACES ±---	±---	3 PLACES ±---	±---	2 PLACES ±0.1	±---	1 PLACE ±0.2	±---	ANGULAR ±---	°	<table border="1"> <tr><th>DRAWN BY</th><th>DATE</th></tr> <tr><td>DMAHER_WEU</td><td>2010/03/15</td></tr> <tr><th>CHECKED BY</th><th>DATE</th></tr> <tr><td></td><td></td></tr> <tr><th>APPROVED BY</th><th>DATE</th></tr> <tr><td>JWALLACE</td><td>2010/03/24</td></tr> <tr><th>MATERIAL NO.</th><th>DOCUMENT NO.</th></tr> <tr><td></td><td></td></tr> </table>	DRAWN BY	DATE	DMAHER_WEU	2010/03/15	CHECKED BY	DATE			APPROVED BY	DATE	JWALLACE	2010/03/24	MATERIAL NO.	DOCUMENT NO.			TITLE <b>TYPE A 2P ASSEMBLY SERIES 121207</b>			
	mm	INCH																																	
	4 PLACES ±---	±---																																	
3 PLACES ±---	±---																																		
2 PLACES ±0.1	±---																																		
1 PLACE ±0.2	±---																																		
ANGULAR ±---	°																																		
DRAWN BY	DATE																																		
DMAHER_WEU	2010/03/15																																		
CHECKED BY	DATE																																		
APPROVED BY	DATE																																		
JWALLACE	2010/03/24																																		
MATERIAL NO.	DOCUMENT NO.																																		
DRAFT WHERE APPLICABLE MUST REMAIN WITHIN DIMENSIONS	<table border="1"> <tr><th>SIZE</th></tr> <tr><td>A 2</td></tr> </table>	SIZE	A 2	<b>MOLEX INCORPORATED</b> SD-121207-001		SHEET NO. 5 OF 6																													
SIZE																																			
A 2																																			
THIS DRAWING CONTAINS INFORMATION THAT IS PROPRIETARY TO MOLEX INCORPORATED AND SHOULD NOT BE USED WITHOUT WRITTEN PERMISSION																																			

Part No	MPM Part No	DESCRIPTION	CIRCUIT	VOLTAGE	INDICATOR
1212070297	S28200TS012RSN	TYPE A 2 POLE TRANSPARENT	S0	12v	RED LED
1212070298	S28200TS022RSN	TYPE A 2 POLE TRANSPARENT	S0	24v	RED LED
1212070299	S28200TS032RSN	TYPE A 2 POLE TRANSPARENT	S0	48v	RED LED
1212070300	S28200TS042RSN	TYPE A 2 POLE TRANSPARENT	S0	115v	RED LED
1212070301	S28200TS052RSN	TYPE A 2 POLE TRANSPARENT	S0	230v	RED LED
1212070302	S28200TS0A2RSN	TYPE A 2 POLE TRANSPARENT	S0	12v	GREEN LED
1212070303	S28200TS0B2RSN	TYPE A 2 POLE TRANSPARENT	S0	24v	GREEN LED
1212070304	S28200TS0C2RSN	TYPE A 2 POLE TRANSPARENT	S0	48v	GREEN LED
1212070305	S28200TS0D2RSN	TYPE A 2 POLE TRANSPARENT	S0	115v	GREEN LED
1212070306	S28200TS0E2RSN	TYPE A 2 POLE TRANSPARENT	S0	230v	GREEN LED
1212070307	S28200TS0G2RSN	TYPE A 2 POLE TRANSPARENT	S0	12v	AMBER LED
1212070308	S28200TS0H2RSN	TYPE A 2 POLE TRANSPARENT	S0	24v	AMBER LED
1212070309	S28200TS0K2RSN	TYPE A 2 POLE TRANSPARENT	S0	48v	AMBER LED
1212070310	S28200TS0L2RSN	TYPE A 2 POLE TRANSPARENT	S0	115v	AMBER LED
1212070311	S28200TS0M2RSN	TYPE A 2 POLE TRANSPARENT	S0	230v	AMBER LED

Part No	MPM Part No	DESCRIPTION	CIRCUIT	VOLTAGE	INDICATOR
1212070237	S28200NS112RSN	TYPE A 2 POLE BLACK	S1	12v	NO LED
1212070238	S28200NS122RSN	TYPE A 2 POLE BLACK	S1	24v	NO LED
1212070239	S28200NS132RSN	TYPE A 2 POLE BLACK	S1	48v	NO LED
1212070240	S28200NS142RSN	TYPE A 2 POLE BLACK	S1	115v	NO LED
1212070241	S28200NS152RSN	TYPE A 2 POLE BLACK	S1	230v	NO LED

SEE SHEET 1 EC NO: IPG2014-0491 DRW: NSHEA 2013/09/11 CHK: SMCREVEY 2013/09/13 APPR: STGERLFFIN 2013/09/26	DESCRIPTION REV	QUALITY SYMBOLS ▽=0 ▽=0	GENERAL TOLERANCES (UNLESS SPECIFIED) <table border="1"> <tr><td></td><td>mm</td><td>INCH</td></tr> <tr><td>4 PLACES</td><td>± .005</td><td>± .0002</td></tr> <tr><td>3 PLACES</td><td>± .005</td><td>± .0002</td></tr> <tr><td>2 PLACES</td><td>± 0.1</td><td>± .004</td></tr> <tr><td>1 PLACE</td><td>± 0.2</td><td>± .008</td></tr> <tr><td colspan="3">ANGULAR ± .005°</td></tr> </table>		mm	INCH	4 PLACES	± .005	± .0002	3 PLACES	± .005	± .0002	2 PLACES	± 0.1	± .004	1 PLACE	± 0.2	± .008	ANGULAR ± .005°			DIMENSION STYLE <b>MM ONLY</b>	SCALE <b>1:1</b>	DESIGN UNITS <b>METRIC</b>	THIRD ANGLE PROJECTION
			mm	INCH																					
		4 PLACES	± .005	± .0002																					
		3 PLACES	± .005	± .0002																					
2 PLACES	± 0.1	± .004																							
1 PLACE	± 0.2	± .008																							
ANGULAR ± .005°																									
DRAWN BY DMAHER_WEU	DATE 2010/03/15	TITLE <b>TYPE A 2P ASSEMBLY SERIES 121207</b>																							
CHECKED BY	DATE	APPROVED BY JWALLACE	DATE 2010/03/24	MOLEX INCORPORATED																					
DRAFT WHERE APPLICABLE MUST REMAIN WITHIN DIMENSIONS		MATERIAL NO. <b>SEE TABLES</b>	DOCUMENT NO. SD-121207-001	SHEET NO. 6 OF 6	THIS DRAWING CONTAINS INFORMATION THAT IS PROPRIETARY TO MOLEX INCORPORATED AND SHOULD NOT BE USED WITHOUT WRITTEN PERMISSION																				