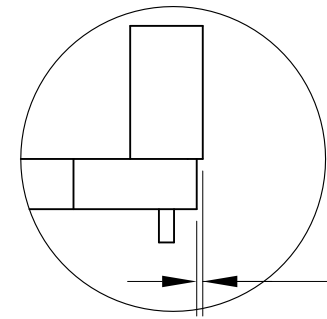
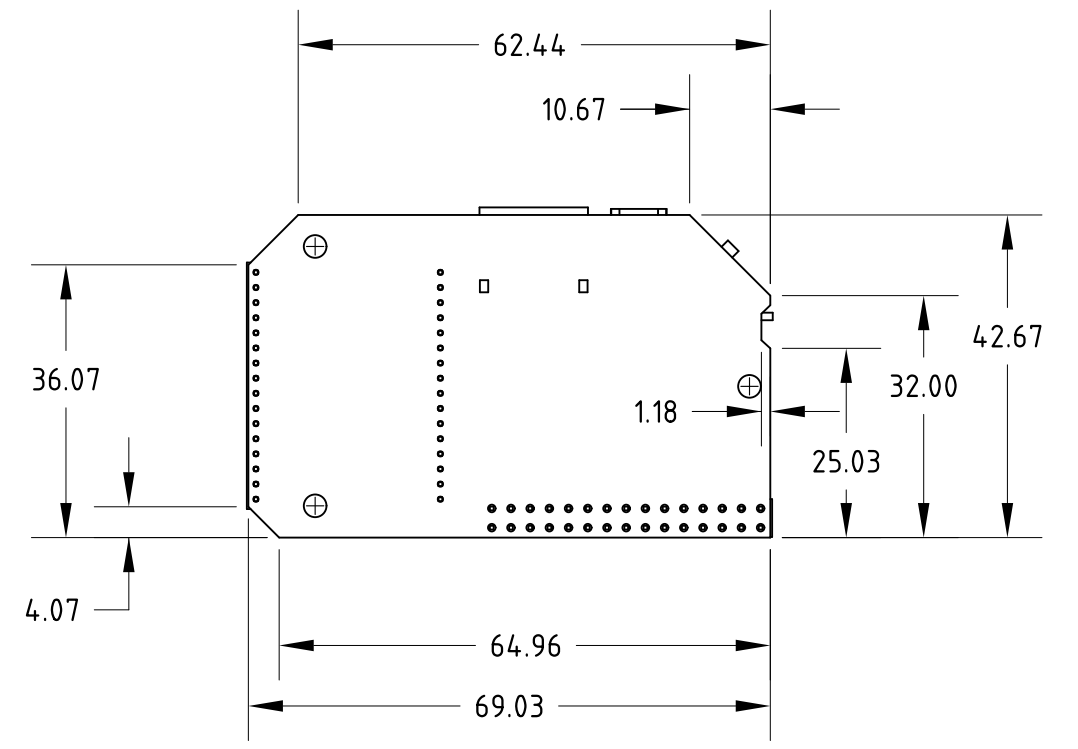
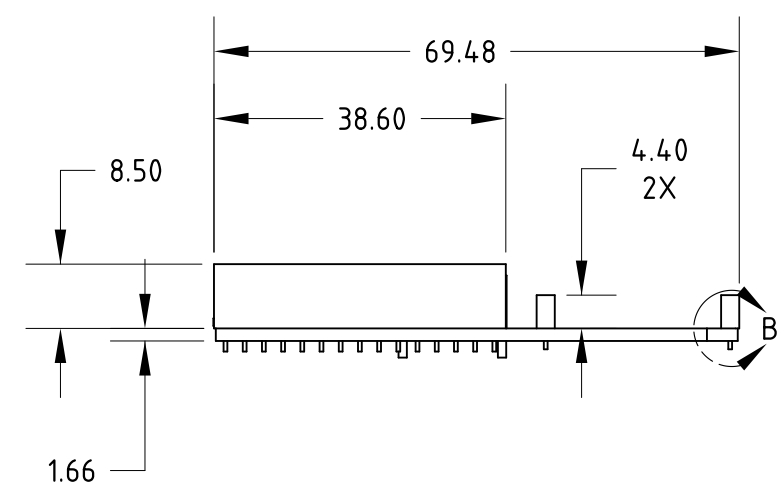
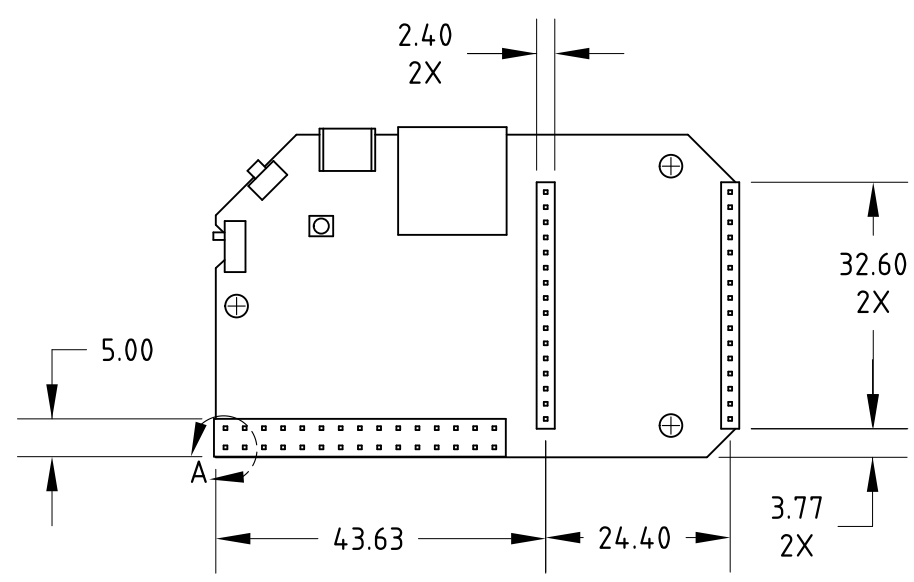


DETAIL A
SCALE 8:1

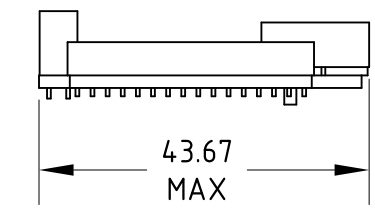
BOARD CORNER IS
DATUM FOR ALL DIMS



DETAIL B
SCALE 4:1



BOARD OUTLINE
(BOTTOM VIEW)



UNLESS OTHERWISE SPECIFIED:
DIMENSIONS ARE IN MM
.XX = ±0-
.XXX = ±0.00-
.XXXX = ±0.000-
SURFACE FINISH ✓
DO NOT SCALE DRAWING
BREAK ALL SHARP EDGES
AND REMOVE BURRS
THIRD ANGLE PROJECTION

	NAME	DATE
DRAWN	G.O.	2016-02-03
CHECKED		
APPROVED		
MATERIAL	FINISH	

TITLE		EXPANSION DOCK	
SIZE	DWG NO.	REV.	
B	OM-D-EXP	A	
SCALE	WEIGHT	SHEET	1 of 5
1:1			

4

3

2

1

D

D

C

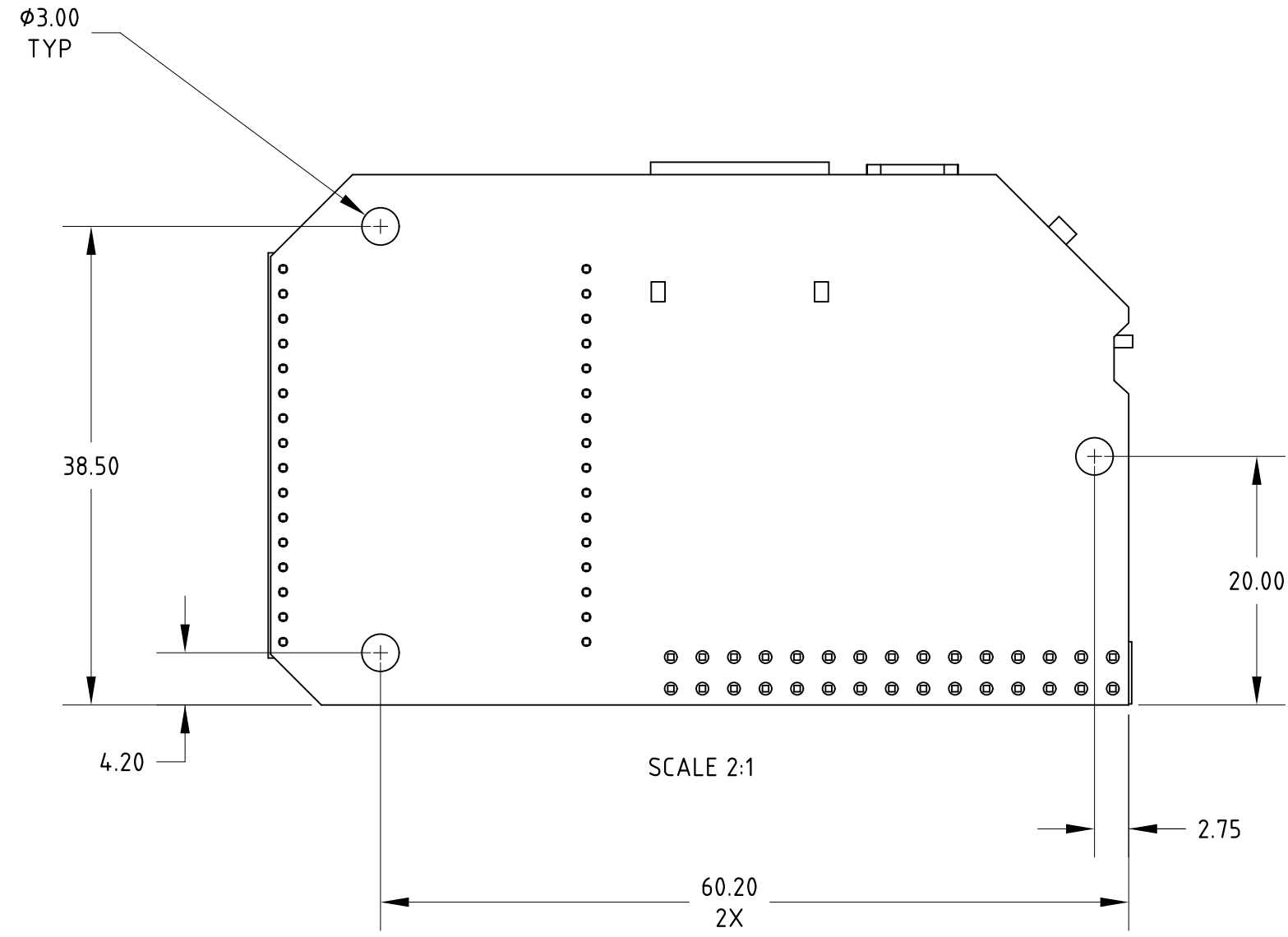
C

B

B

A

A

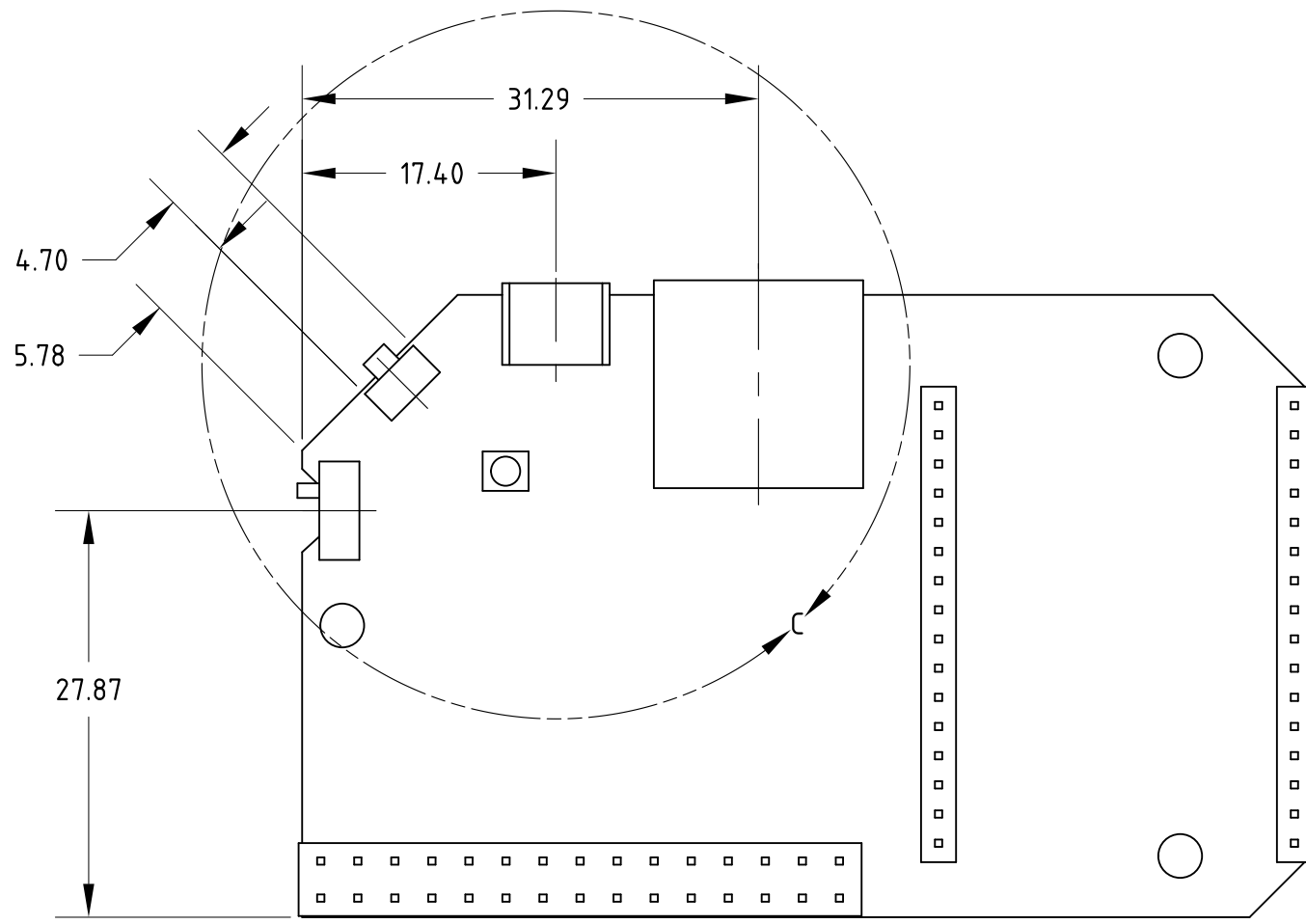


4

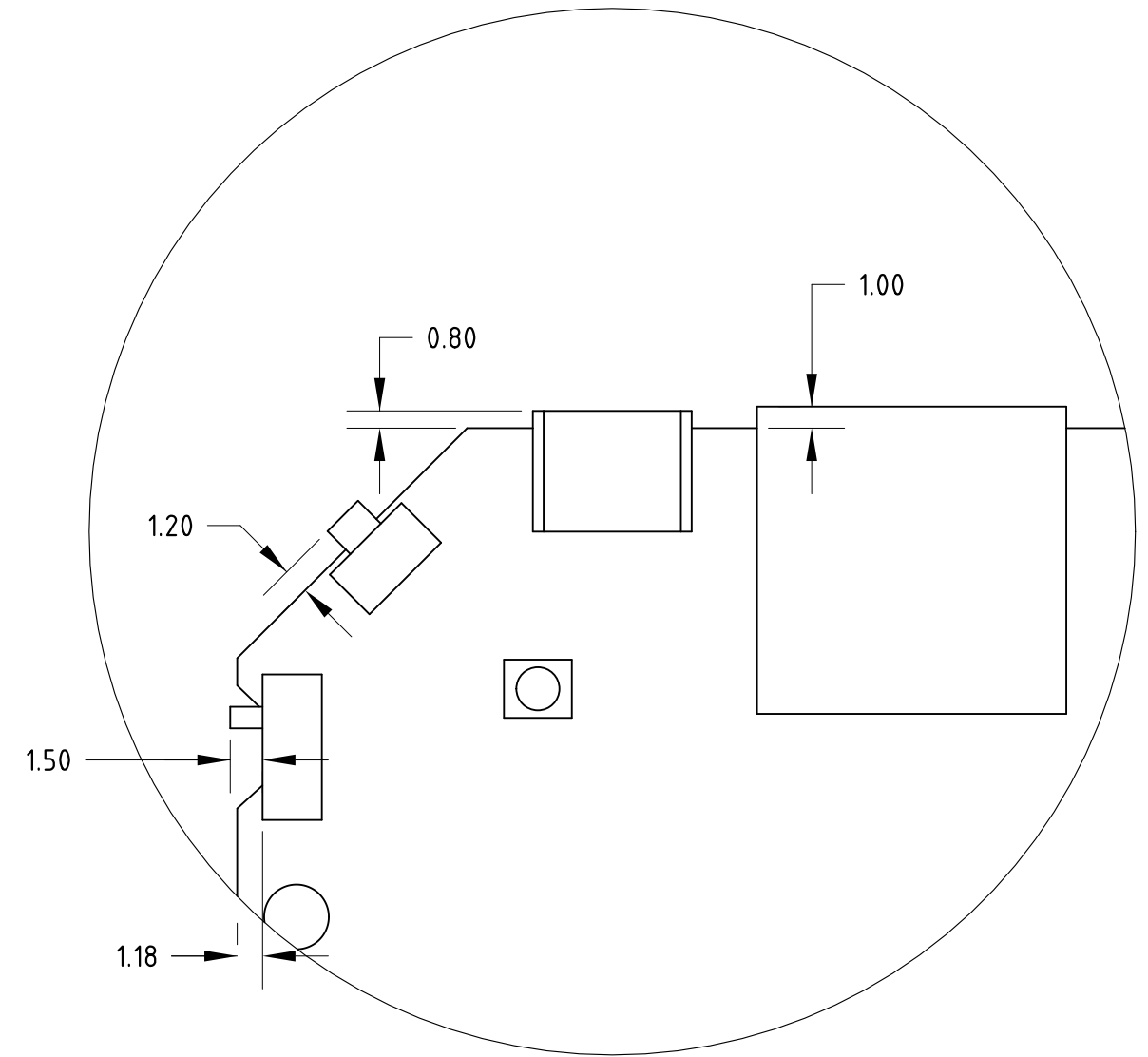
3

2

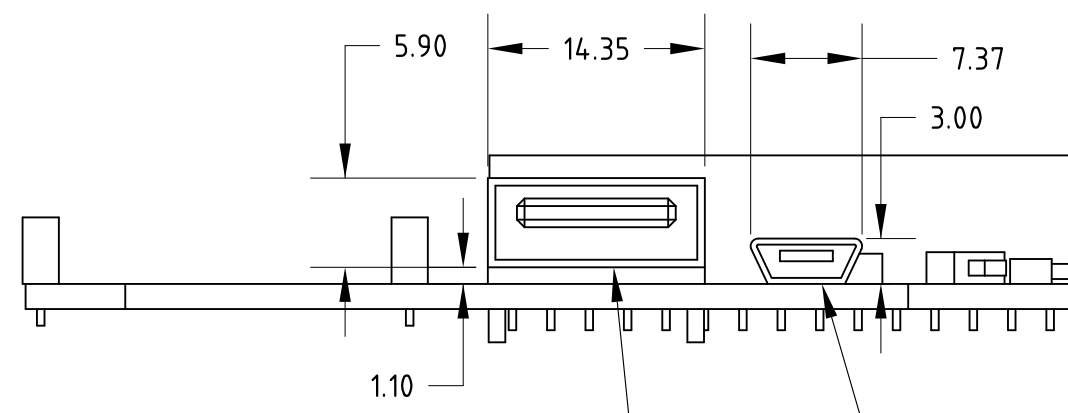
1



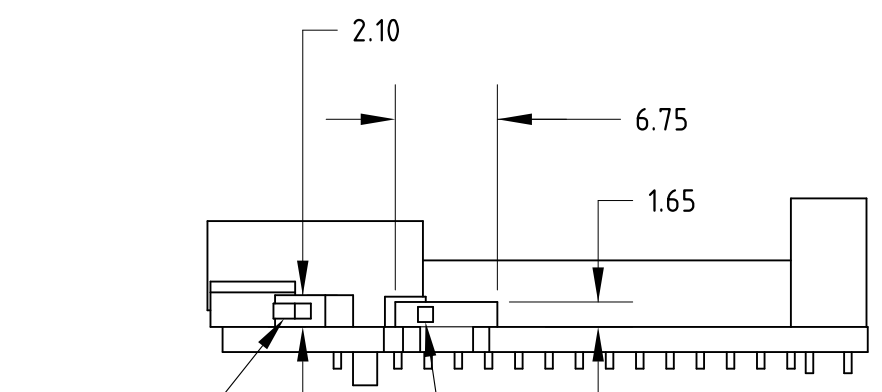
SCALE 2:1



DETAIL C
SCALE 3:1



USB
MICRO USB



RESET
POWER

4

3

2

1

D

D

C

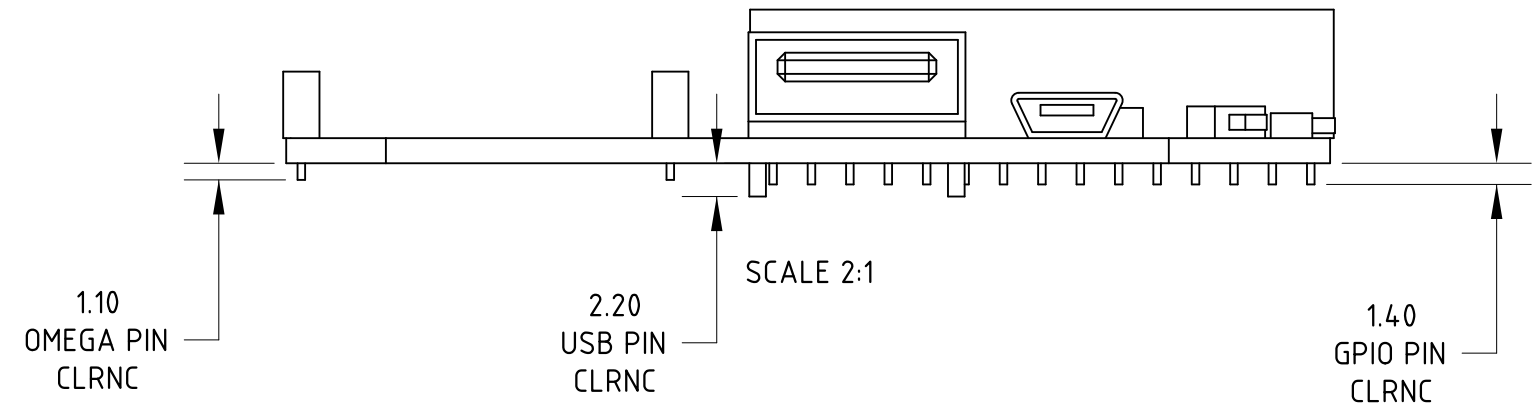
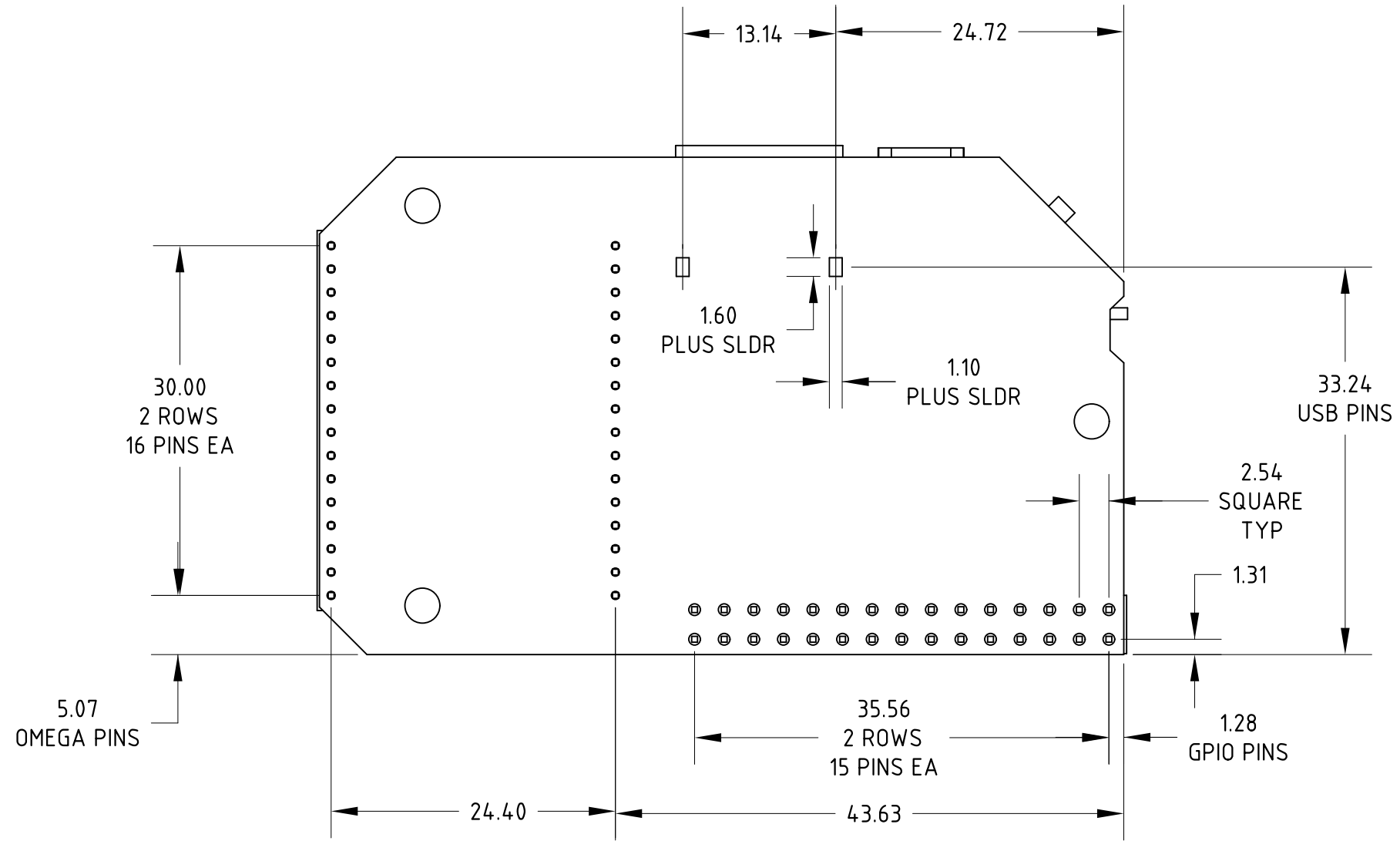
C

B

B

A

A



4

3

2

1

4

3

2

1

D

D

C

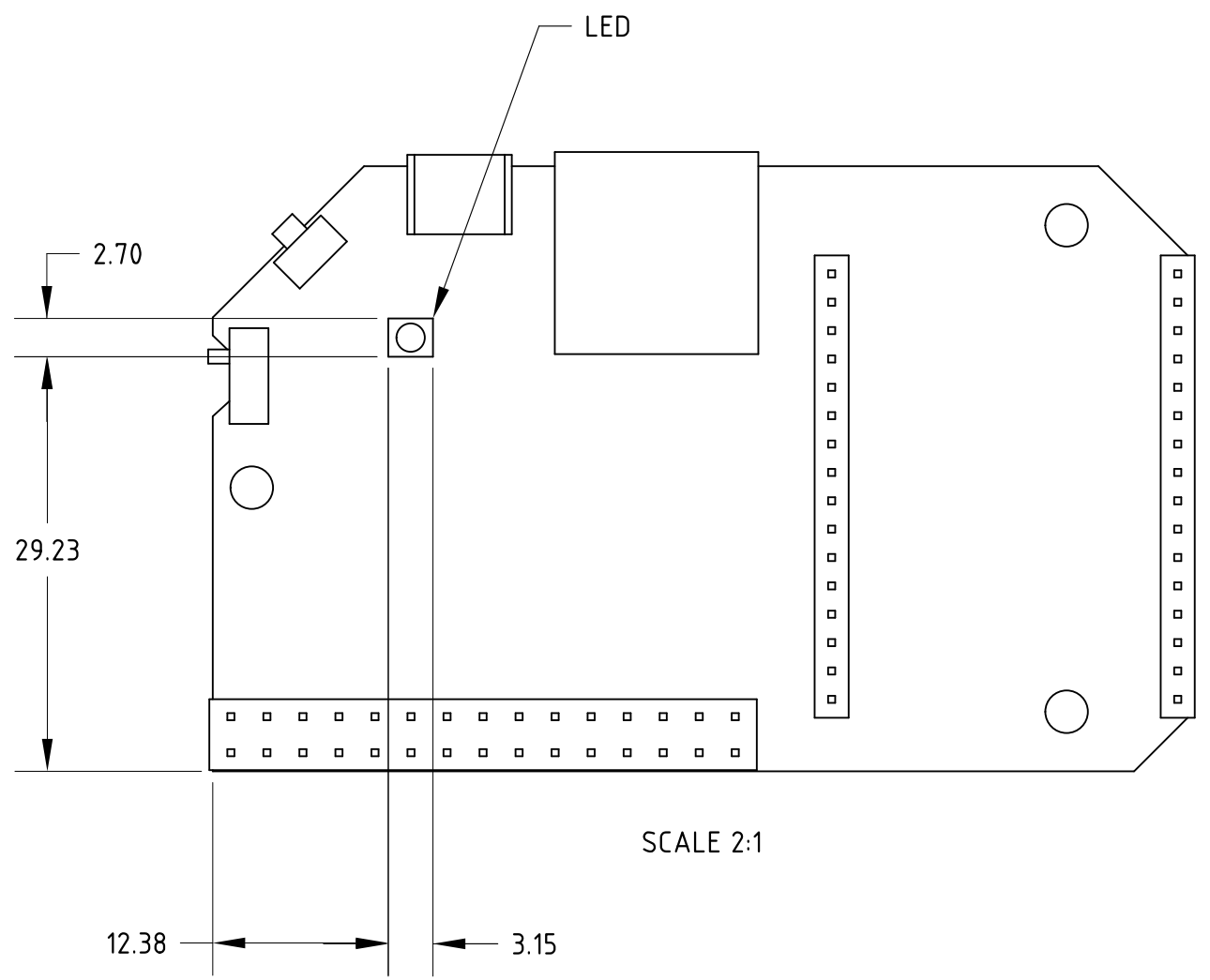
C

B

B

A

A



4

3

2

1