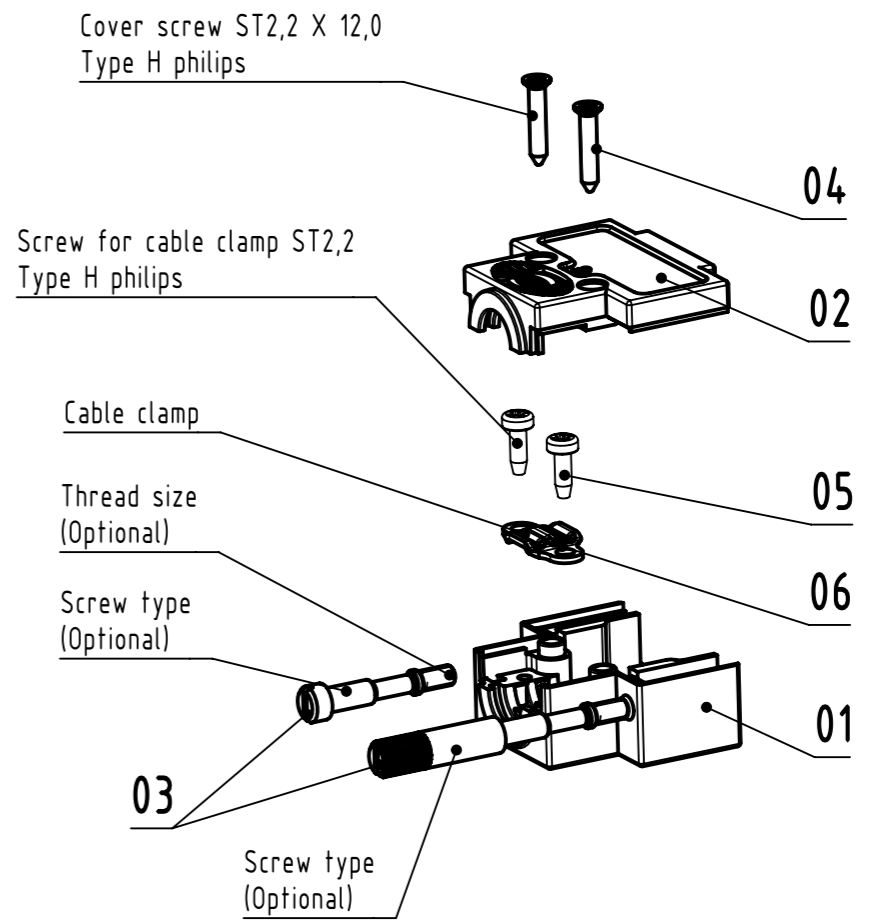


09 67 009 04X2			
09 67 009 0492	M3	Long locking screw	With ring
09 67 009 0432	4-40 UNC		without ring
09 67 009 0482	M3	Short locking screw	With ring
09 67 009 0442	4-40 UNC		Without ring
Part number	Screw size	Screw type	Identification for locking screw



Content D-Sub hood			Spare parts (MOQ100)	
Pos.	Quantity	Description	Part Number	Quantity
01	1	Bottom hood		
02	1	Top cover		
03	2	Locking screw:(Preassembled)		
		either slotted cheese head short locking screw 4-40 UNC(for 0967 009 0442)		
		or slotted cheese head short locking screw M3(for 0967 009 0482)		
		or knurled long locking screw 4-40 UNC(for 0967 009 0432)		
		or knurled long locking screw M3(for 0967 009 0492)		
04	2	Cover screw ST2,2		
05	2	Clamp screw ST2,2	0967 000 9944	1
06	1	Cable clamp	0967 000 9942	1

		All Dimensions in mm Original Size DIN A3		Scale 1:1	Free size tol.	Ref. Sub.
All rights reserved Department EL PD		Created by ZENGO	Inspected by LUOK	Standardisation ROEBEN	Date 2022-01-21	State Final Release
HARTING D-32339 Espelkamp		Title D-Sub plastic hood 9-pole with locking screws				Doc-Key / ECM-Nr. 100633636/UGD/000/E 50000208988
		Type TB	Number 096700904X2		Rev. E	Page 1/1