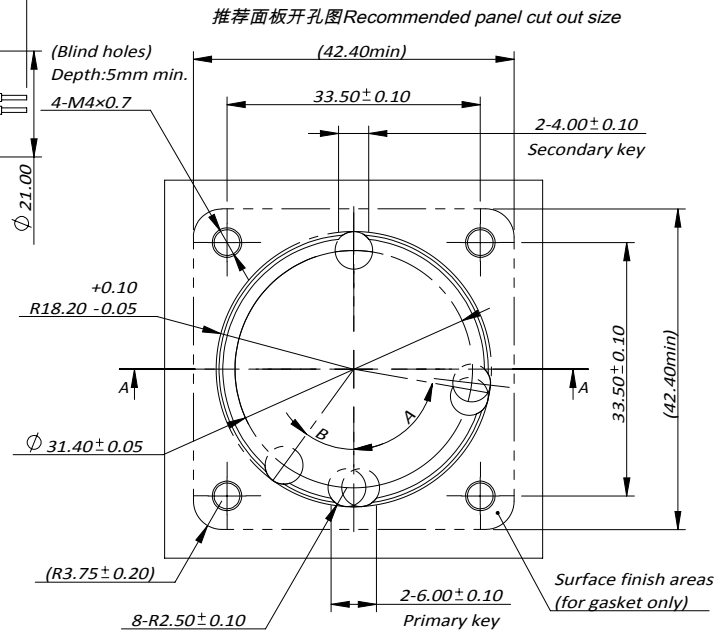
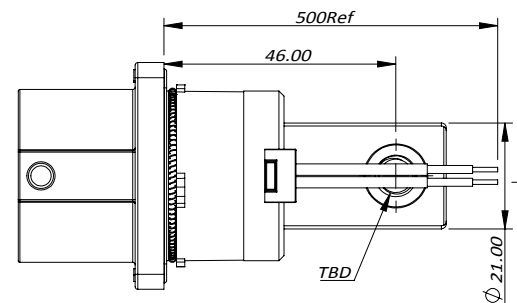
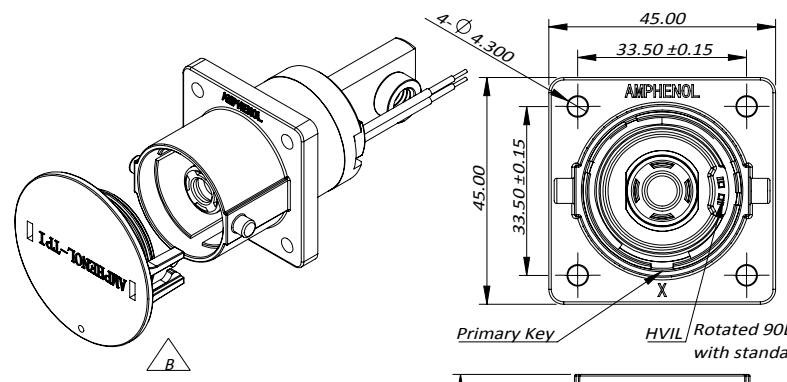


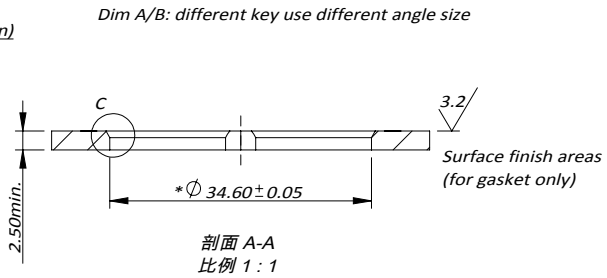
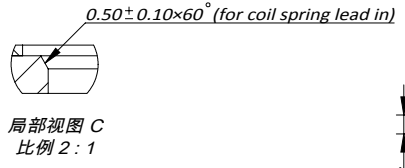
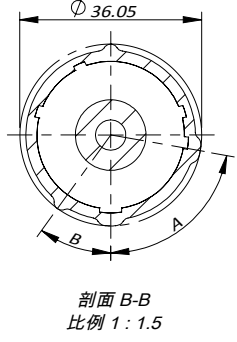
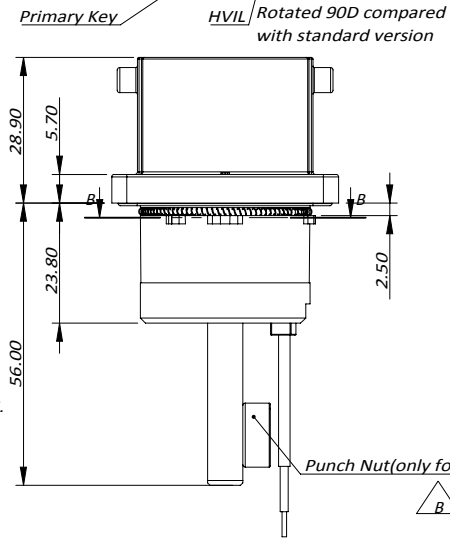
THIS DRAWING IS SUPPLIED FOR INFORMATION ONLY. DESIGN FEATURES, SPECIFICATIONS AND PERFORMANCE DATA SHOWN HEREON ARE THE PROPERTY OF THE AMPHENOL CORPORATION. NO RIGHTS OF REPRODUCTION ARE IMPLIED. ALL DIMENSIONS ARE SUBJECT TO NORMAL MANUFACTURING VARIATIONS.

CUSTOMER DRAWING

REVISIONS					
REV#	ECN#	REVISION ACTION	REV.BY:	APPR.BY:	DATE
A	--	INITIAL RELEASE	Fred	JL	10/21/2020
B	--	Add dust cap, oring and M6 PM8 specifications	Star	James	12/30/2020



键位 Key	A	B
X	80°	36°
Y	50°	86°
U	36°	76°
V	100°	56°
W	130°	60°
T	144°	96°



- 规格参数 (Spec.):**
1. 工作温度 Operating temperature : -40°C ~ +125°C.
 2. 带高压互锁 Electrical interlock (HVIL).
 3. 额定电流 Current rating:
Power: 500A; HVIL: 5A.
 4. 额定电压 Operating voltage:
Power: 1000 VDC; Signal: 60 VDC.
 5. 耐压 Dielectric withstanding voltage:
A. 与插头对插后, Pin与铁壳之间
When mated, between pin and metal shell: 5000 VDC.
B. 与插头对插后, Pin与HVIL之间
When mated, between pin and HVIL: 5000 VDC.
C. 与插头对插后, HVIL与铁壳之间
When mated, between HVIL and metal shell: 500 VDC.
D. 与插头对插前, 两个HVIL端子之间耐压
Before mating, between two HVIL terminals: 500 VDC.
 6. 防护等级 Protection class: Mated-IP6k9k & IP67, unmated-IP2X.
 7. 电磁屏蔽 360° full Shielding.
 8. 机械寿命 Mating cycle: 100 Min.
 9. 绝缘材料满足 UL94V-0 Inner insulation material satisfy UL94V-0.
 10. 推荐法兰盘螺丝安装扭矩 Recommended Screw Assembly Torque on Flange: 1.6~2.4Nm
 11. 推荐铜排安装扭矩 Recommended Fasten Torque on Lug:
M6: 3.6~4.4Nm, M8: 7.2~8.8Nm, M10: 17.1~20.9Nm
 12. 镀灰锌/镍合金, 符合RoHS, 满足500H中性盐雾实验
Gray Zinc/Nickel(ZnNi) Plating, RoHS compliant, Rated at 500hours salt spray.

订购信息 Ordering Information

PL 00 X - 50X - 90X X - 2			
Key and Color	HVIL	Hole Type	Hole Size
"X", Orange	"0", NO HVIL	"D", Through Hole	
"Y", Black	"1", With HVIL	"M"=thread hole	
"U", Yellow		"H"=slot hole	
"V", Green		"PM"=Punch Nut	
"W", Red			
"T", Blue			

	Amphenol Technical Products International Asia.				
	第三角投影 THIRD ANGLE PROJECTION	页面 SHEET 1 OF 2	幅面 SIZE A4	版次 REV. B	比例 SCALE
签名 SIGNATURE Star	日期 DATE 12/30/2020	UNLESS OTHERWISE SPECIFIED 1) All dimensions are in metric(mm). 2) Tolerances are as follows: 1.PL DEC ± 1.00 2.PL DEC ± 0.50 3.PL DEC ± 0.20			DWG NO: PL00X-50X-90XX-2
制图 DRAWN Star	审核 CHECKED	Angles ±1°			CUST PART #
批准 APPROVAL					CUST REV.

THIS DRAWING IS SUPPLIED FOR INFORMATION ONLY. DESIGN FEATURES, SPECIFICATIONS AND PERFORMANCE DATA SHOWN HEREON ARE THE PROPERTY OF THE AMPHENOL CORPORATION. NO RIGHTS OF REPRODUCTION ARE IMPLIED. ALL DIMENSIONS ARE SUBJECT TO NORMAL MANUFACTURING VARIATIONS.

1		2		3		4		5		6		7		8		
型号 Model		AC P/N								REVISIONS						
PL00X-500-90M8-2		AC-HA014517								REV#	ECN#	REVISION ACTION		REV.BY:	APPR.BY:	DATE
PL00Y-500-90M8-2		AC-HA014518								A	--	INITIAL RELEASE		Fred	JL	10/21/2020
PL00U-500-90M8-2		AC-HA014519								B	--	Add dust cap, oring and M6 PM8 specifications		Star	James	12/30/2020
PL00V-500-90M8-2		AC-HA014520														
PL00W-500-90M8-2		AC-HA014521														
PL00T-500-90M8-2		AC-HA014522														
PL00X-500-90M10-2		AC-HA014523														
PL00Y-500-90M10-2		AC-HA014524														
PL00U-500-90M10-2		AC-HA014525														
PL00V-500-90M10-2		AC-HA014526														
PL00W-500-90M10-2		AC-HA014527														
PL00T-500-90M10-2		AC-HA014528														
PL00X-500-90D8-2		AC-HA014529														
PL00Y-500-90D8-2		AC-HA014530														
PL00U-500-90D8-2		AC-HA014531														
PL00V-500-90D8-2		AC-HA014532														
PL00W-500-90D8-2		AC-HA014533														
PL00T-500-90D8-2		AC-HA014534														
PL00X-500-90D10-2		AC-HA014535														
PL00Y-500-90D10-2		AC-HA014536														
PL00U-500-90D10-2		AC-HA014537														
PL00V-500-90D10-2		AC-HA014538														
PL00W-500-90D10-2		AC-HA014539														
PL00T-500-90D10-2		AC-HA014540														
PL00X-501-90M8-2		AC-HA014541														
PL00Y-501-90M8-2		AC-HA014542														
PL00U-501-90M8-2		AC-HA014543														
PL00V-501-90M8-2		AC-HA014544														
PL00W-501-90M8-2		AC-HA014545														
PL00T-501-90M8-2		AC-HA014546														
PL00X-501-90M10-2		AC-HA014547														
PL00Y-501-90M10-2		AC-HA014548														
PL00U-501-90M10-2		AC-HA014549														
PL00V-501-90M10-2		AC-HA014550														
PL00W-501-90M10-2		AC-HA014551														
PL00T-501-90M10-2		AC-HA014552														
PL00X-501-90D8-2		AC-HA014553														
PL00Y-501-90D8-2		AC-HA014554														
PL00U-501-90D8-2		AC-HA014555														
PL00V-501-90D8-2		AC-HA014556														
PL00W-501-90D8-2		AC-HA014557														
PL00T-501-90D8-2		AC-HA014558														
PL00X-501-90D10-2		AC-HA014559														
PL00Y-501-90D10-2		AC-HA014560														
PL00U-501-90D10-2		AC-HA014561														
PL00V-501-90D10-2		AC-HA014562														
PL00W-501-90D10-2		AC-HA014563														
PL00T-501-90D10-2		AC-HA014564														

型号 Model	AC P/N
PL00X-500-90M6-2	AC-HA017798
PL00Y-500-90M6-2	AC-HA017799
PL00U-500-90M6-2	AC-HA017800
PL00V-500-90M6-2	AC-HA017801
PL00W-500-90M6-2	AC-HA017802
PL00T-500-90M6-2	AC-HA017803
PL00X-501-90M6-2	AC-HA017804
PL00Y-501-90M6-2	AC-HA017805
PL00U-501-90M6-2	AC-HA017806
PL00V-501-90M6-2	AC-HA017807
PL00W-501-90M6-2	AC-HA017808
PL00T-501-90M6-2	AC-HA017809
PL00X-500-90PM8-2	AC-HA017810
PL00Y-500-90PM8-2	AC-HA017811
PL00U-500-90PM8-2	AC-HA017812
PL00V-500-90PM8-2	AC-HA017813
PL00W-500-90PM8-2	AC-HA017814
PL00T-500-90PM8-2	AC-HA017815
PL00X-501-90PM8-2	AC-HA017816
PL00Y-501-90PM8-2	AC-HA017817
PL00U-501-90PM8-2	AC-HA017818
PL00V-501-90PM8-2	AC-HA017819
PL00W-501-90PM8-2	AC-HA017820
PL00T-501-90PM8-2	AC-HA017821



	Amphenol Technical Products International Asia.					
	第三角投影 THIRD ANGLE PROJECTION	页面 SHEET	幅面 SIZE	版次 REV.	比例 SCALE	PART NAME: PL14mm G2 Rcpt Lug 90Degree
		2 OF 2	A4	B	B	
签名 SIGNATURE	日期 DATE	UNLESS OTHERWISE SPECIFIED 1) All dimensions are in metric(mm). 2) Tolerances are as follows: 1.PL DEC ± 1.00 2.PL DEC ± 0.50 3.PL DEC ± 0.20			DWG NO: PL00X-50X-90XX-2	CUST PART #
制图 DRAWN	Star	12/30/2020				
审核 CHECKED						
批准 APPROVAL						