

6

5

4

3

2

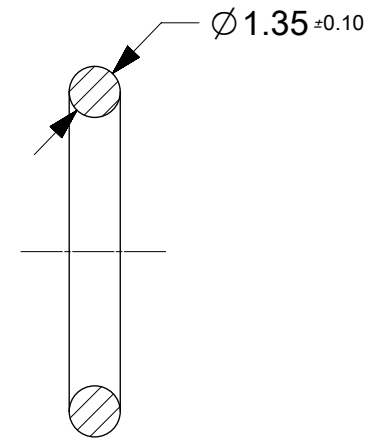
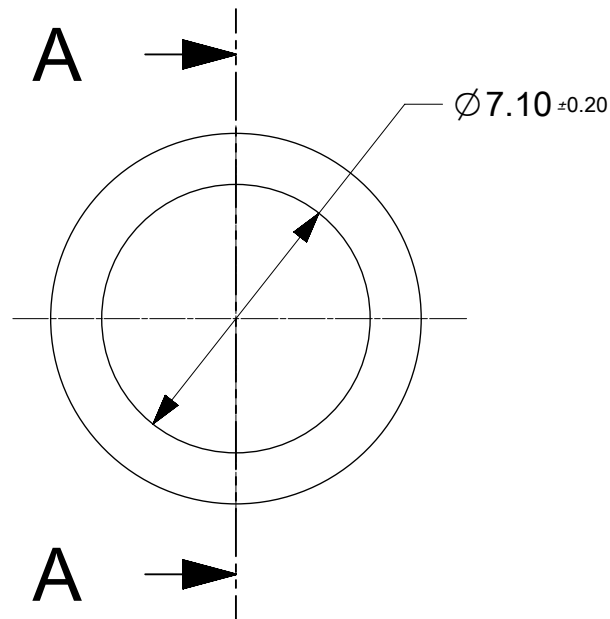
1

D

C

B

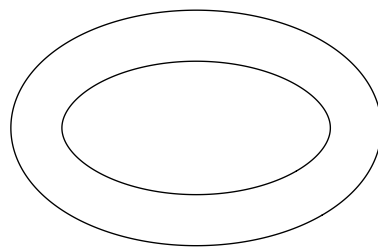
A




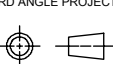
SECTION A-A

NOTES:

1. MATERIAL: FPM, RED, 60 SHORE



THIS DRAWING CONTAINS INFORMATION THAT IS PROPRIETARY TO MOLEX INCORPORATED AND SHOULD NOT BE USED WITHOUT WRITTEN PERMISSION

EC DESCRIPTION		QUALITY SYMBOLS		GENERAL TOLERANCES (UNLESS SPECIFIED)		DIMENSION UNITS		SCALE		 GASKET OR FPM 7.1X1.35 RD 60			
EC NO: 100775	2015/07/14	∇ = 0		ANGULAR TOL $\pm 0.5^\circ$	mm	5:1							
DRWN: KGRUEDL	2015/07/21	∇ = 0		4 PLACES \pm	DRWN BY	DATE	MSCHAUER	2015/03/16					
CHK'D: RSILLER	2015/07/21	∇ = 0		3 PLACES \pm	CHK'D BY	DATE							
REV APPR: RSILLER		\blacktriangledown = 0		2 PLACES ± 0.05	APPR BY	DATE	RSILLER	2015/04/17					
		∇ = 0		1 PLACE ± 0.1	DRAWING SIZE	THIRD ANGLE PROJECTION	A4			SERIES	MATERIAL NUMBER	CUSTOMER	
A1		\square = 0		0 PLACES \pm	DRAFT WHERE APPLICABLE MUST REMAIN WITHIN DIMENSIONS					120204	1202040002	GENERAL MARKET	
		\blacksquare = 0								DOCUMENT NUMBER	DOC TYPE	DOC PART	SHEET NUMBER
		∇ = 0								1202040002	PSD	000	1 OF 1

6

5

4

3

2

1