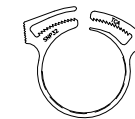
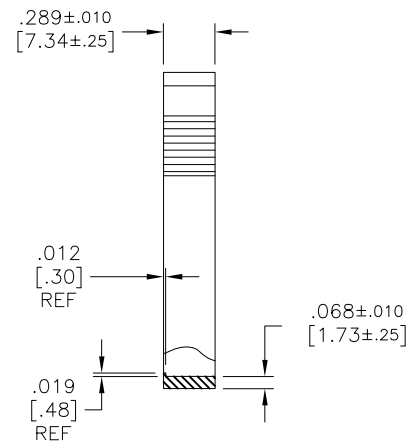
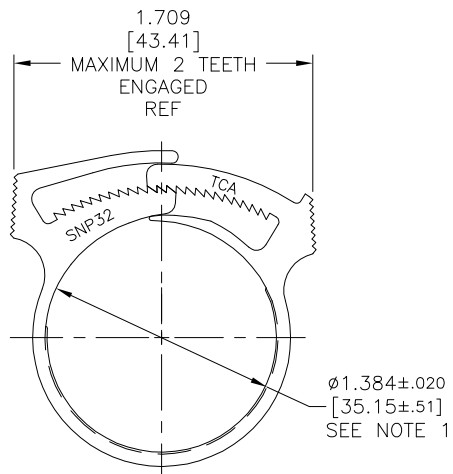


AS MOLDED



APPROX. FULL SIZE

REDUCED
NO SCALE

HellermannTyton
ALL PROPRIETARY RIGHTS IN THE SUBJECT MATTER SHOWN ON THIS DRAWING ARE EXCLUSIVE PROPERTY OF HELLERMANN TYTON

name	date	city, state

- NOTES**
- INSIDE DIAMETERS ARE MEASURED IN THREE PLACES SPACED 120° APART EXCLUDING .019[.48] HIGH RIB
 - DRAWING CREATED FROM SNP28 DATA BASE. USE FOR DIMENSIONAL INFO. ONLY.
 - 26 TOTAL TEETH, 13 TEETH POSITIONS

REVISIONS

level	01
date	04/02/07
by	AAC
ECN #	010690
part level	-

DIMENSIONS

.XXXX =
.XXX = NOTED
.XX = NOTED
.X =
_ =
unless otherwise specified
units inches/[mm]

PART

number	SNP3210	phase	PRODUCTION
name SNAPPER 32 HOSE CLAMP			
material ACETAL WHITE			

DRAWING

FORMAT C	version M	CAD	ACAD	scale	2X
computer file number CP\CST\2032002_01		previous number			
drawn	A.A.C.	checked	K.A.C.	approved	
date	04/02/07	date	04/02/07	approved	
type	CUSTOMER	sheet		1 of 1	
number	CP2032002CST				