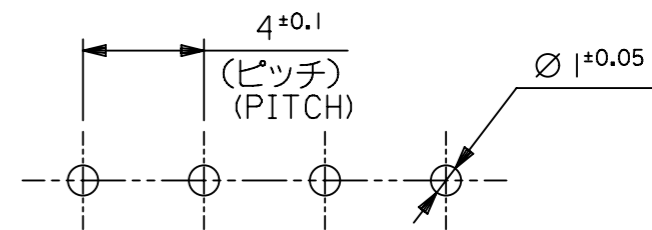


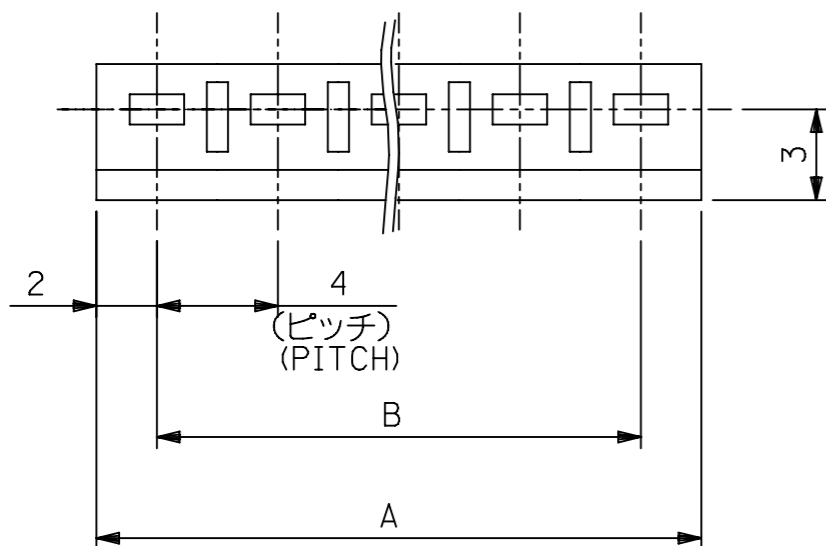
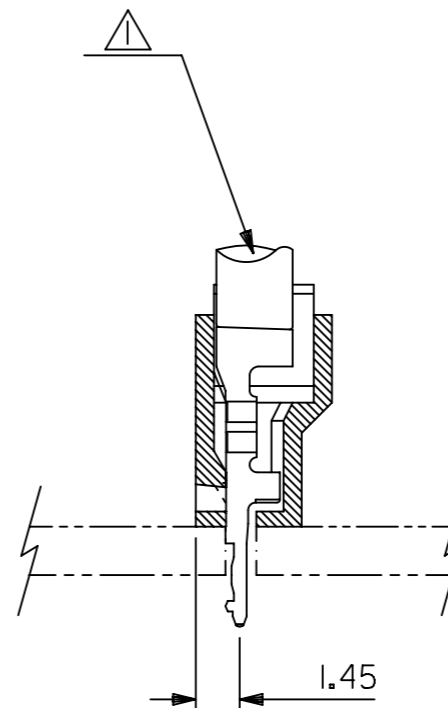
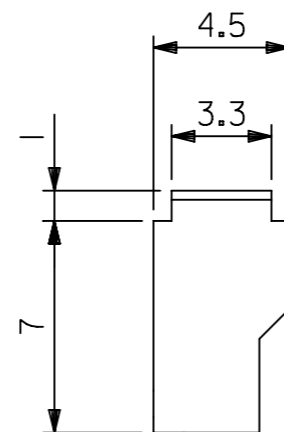
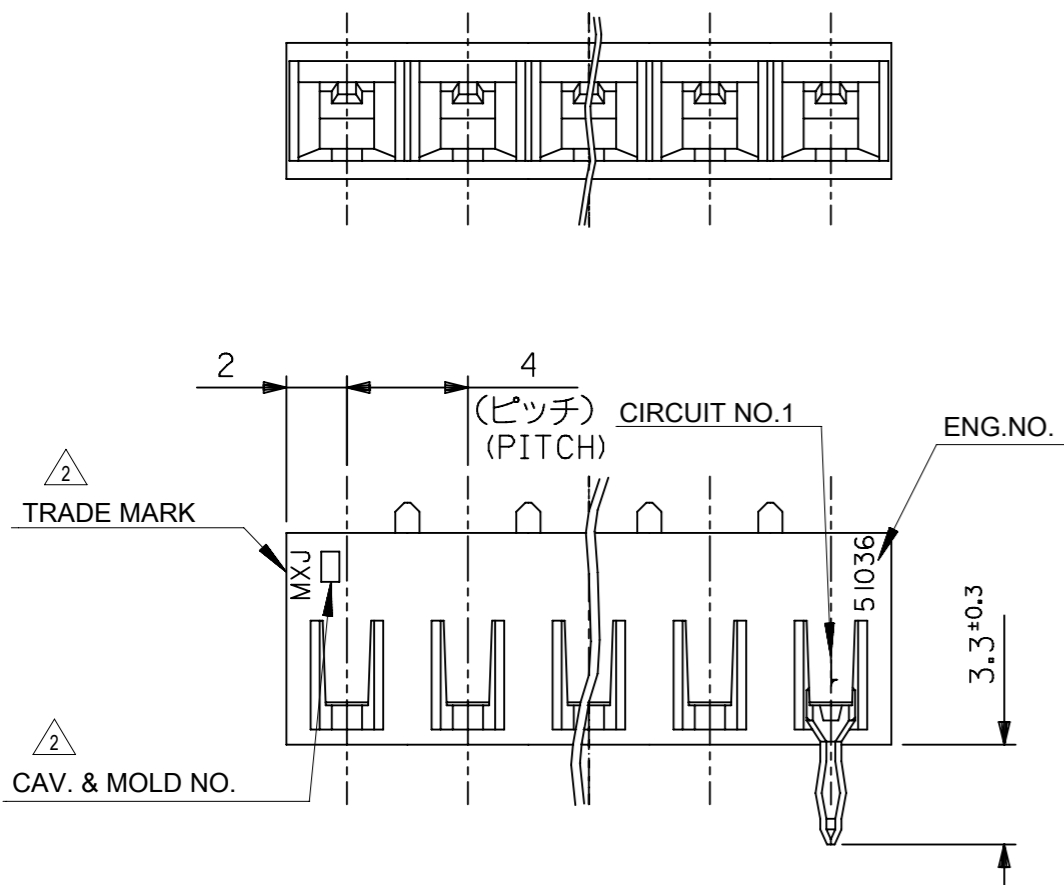
注記  
NOTE

- ① 適合ターミナル : 500978\*00  
APPLICABLE : 500978\*00
- ② トレ - ドマーク : MXJにて表示。  
キャビティー番号 : 1桁から2桁の数字にて表示。 金型番号 : アルファベット1文字にて表示。  
TRADE MARK IS FORMED BY MXJ.  
AND BY 1-2 DIGIT NUMBER (TO CAVITY NO.)  
AND BY 1 LETTER OD ALPHABET (TO MOLD NO.)
- ③ ELV及びRoHS適合品  
ELV AND RoHS COMPLIANT.

(公差非累積)  
(NON-ACCUMULATIVE)



基板取付穴推奨寸法(基板厚: 1.6mm)  
RECOMMENDED PC BOARD  
HOLE DIMENSION  
(THICKNESS: 1.6mm)



28	32	510360800	8
24	28	↑ 0700	7
20	24	0600	6
16	20	0500	5
12	16	0400	4
8	12	↓ 0300	3
4	8	510360200	2
B	A	ENG.NO.	極数 CKT.

THIS DRAWING CONTAINS INFORMATION THAT IS PROPRIETARY TO MOLEX ELECTRONIC TECHNOLOGIES, LLC AND SHOULD NOT BE USED WITHOUT WRITTEN PERMISSION

材料  
MATERIAL  
POLYAMIDE,UL94V-0

適用電線範囲  
WIRE RANGE  
AWG#22 ~ 18,AV0.5 ~ 0.85

被覆外径  
INS. RANGE  
Ø1.8 ~ 2.6

GENERAL TOLERANCES  
(UNLESS SPECIFIED)

10 <sup>UNDER</sup>	±0.2
10 <sup>OVER</sup> 30 <sup>UNDER</sup>	±0.25
30 <sup>OVER</sup>	±0.3
ANGULAR	±3°

DIMENSION UNITS	SCALE
mm	4:1
GENERAL TOLERANCES (UNLESS SPECIFIED)	
4 PLACES	±
3 PLACES	±
2 PLACES	±
1 PLACE	±
0 PLACES	±
ANGULAR TOL	± °
DRAFT WHERE APPLICABLE MUST REMAIN WITHIN DIMENSIONS	

CURRENT REV DESC: REMOVED OBSOLETE PART  
NUMBER AS PER PCN#509989.

EC NO: 708673  
DRWN: SANTHN 2022/05/13  
CHK'D: GGA 2022/06/22  
APPR: GGA 2022/06/22

INITIAL REVISION:  
DRWN: KSAND 1996/06/30  
APPR: MENOMOTO 1996/06/30

THIRD ANGLE PROJECTION  
DRAWING  
A3-SIZE

SERIES  
51036

**molex**

4.0 BOARD IN CONNECTOR HOUSING

PRODUCT CUSTOMER DRAWING

DOCUMENT NUMBER	DOC TYPE	DOC PART	REVISION
SD-51036-001	PSD	001	H2
MATERIAL NUMBER	CUSTOMER	SHEET NUMBER	
SEE TABLE	GENERAL MARKET	1 OF 1	