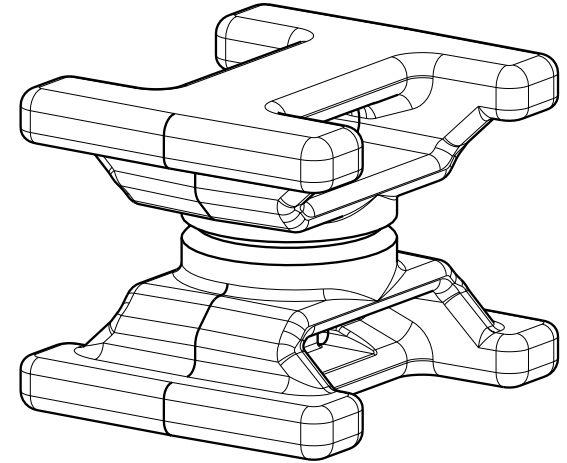
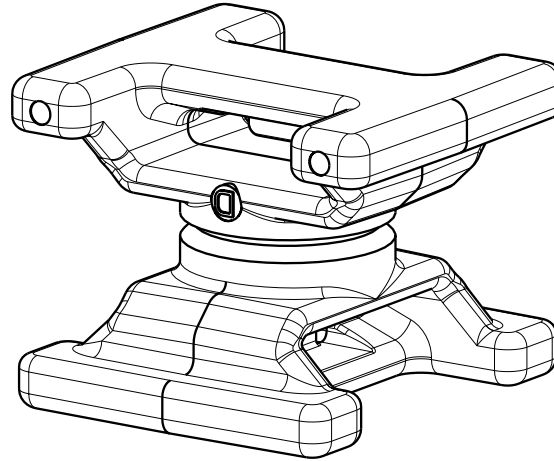
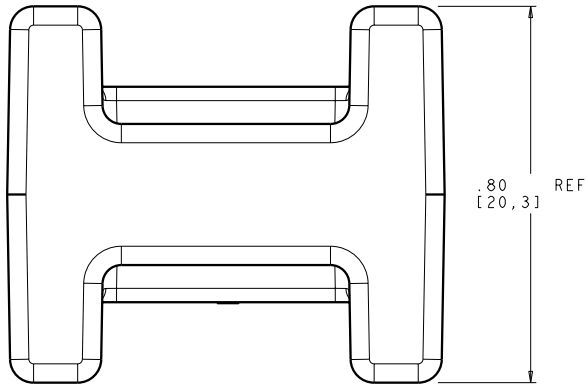
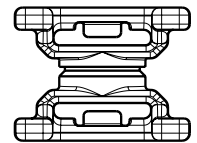
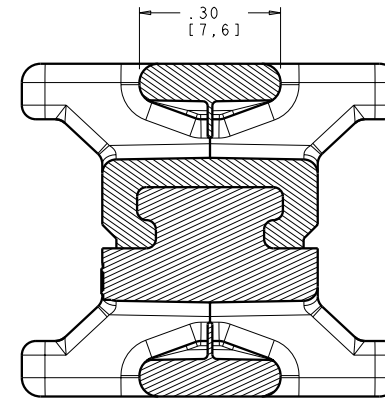
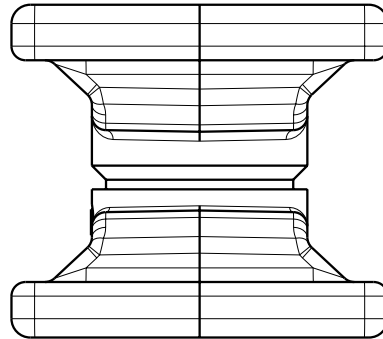
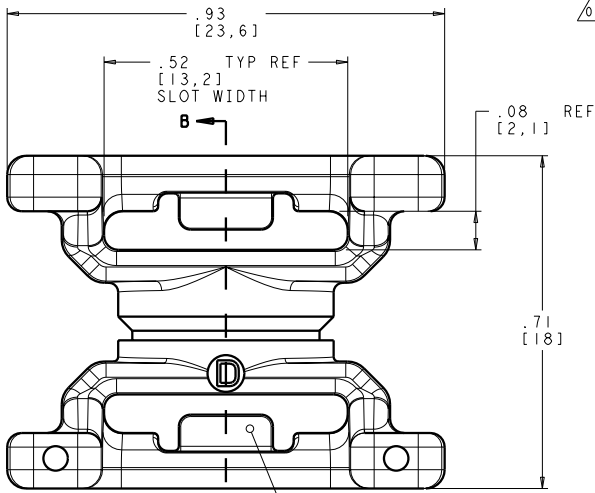


* ROTATED

AS MOLDED



- FEATURES:
- * SADDLES ROTATE TO ANY ANGLE AND MAINTAIN SEPARATION BETWEEN CROSSING BUNDLES
 - PROVIDES AN APPROXIMATE 0.71" SPACING BETWEEN 2 BUNDLES
 - 100 lb MIN PULL APART FORCE
 - ROTATIONAL FORCE OF 4.0 IN-LBS MAX
 - ACCEPTS MOST STANDARD CABLE TIES UP TO 1/2" WIDE



SCALE 1/1

SECTION B-B

FRICITION TAB X2

INVENTORS

HellermannTyton®

ALL PROPRIETARY RIGHTS IN THE SUBJECT MATTER SHOWN ON THIS DRAWING ARE EXCLUSIVE PROPERTY OF HELLERMANN TYTON

name	date	city, state
SCOTT ADAMS	8/25/04	BURLINGTON, WI

REVISION

level	by	date	part level
09	SJA	3/24/10	D

DIMENSIONS

units	inches
.XXXX= ±0.0050/[1,127]	
.XXX= ±0.010/[1,25]	
.XX= ±0.02/[1,51]	
.X= ±0.1	
∠= ±0.5	

PART

number	DSWS4	phase	PRODUCTION
name	DUAL SWIVEL SADDLE SPACER SIZE 4 INSERT MOLDED		
material	THERMOPLASTIC COLOR: BLACK		

DRAWING

FORMAT	AH version	J	CAD	PRO-E	scale	5/2
computer file number				previous number		
drawn	S. ADAMS	checked	G. GEIGER	approved		
date	8/26/04	checked	2/11/05	approved		
type	CUSTOMER				sheet	1 of 1
number	MT2024053CST					