

**TRANSITION MODE PFC CONTROL IC**

**Features**

- Boost PFC Control IC
- Wide input range for universal AC line input
- Low THD
- Voltage mode control
- Critical-conduction / transition mode operation
- Static and dynamic DC output over-voltage protection
- Burst mode operation at very light load
- Cycle by cycle over-current protection
- Micro-power startup (<50µA)
- Low quiescent current
- Latch immunity and ESD protection
- Noise immunity

**Typical Applications**

- Power supplies
- Lighting ballasts and drivers

**Product Summary**

|   |                 |
|---|-----------------|
| Topology                                    | Boost           |
| I <sub>o+</sub> & I <sub>o-</sub> (typical) | 500 mA / 500 mA |
| t <sub>r</sub> & t <sub>f</sub> (typical)   | 60 ns / 30 ns   |

**Package**



**Ordering Information**

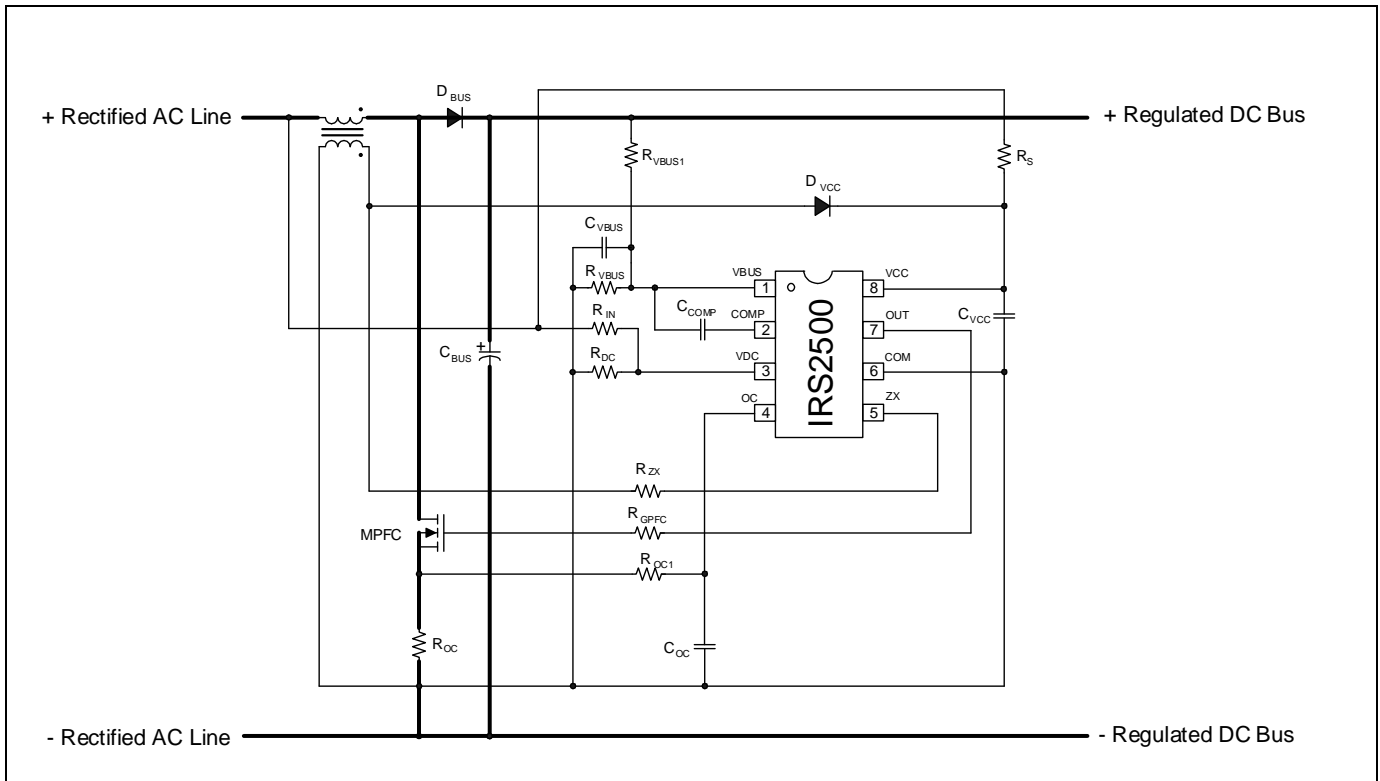
| Base Part Number | Package Type | Standard Pack |          | Complete Part Number |
|------------------|--------------|---------------|----------|----------------------|
|                  |              | Form          | Quantity |                      |
| IRS2500SPBF      | SO8N         | Tube/Bulk     | 95       | IRS2500SPBF          |
|                  |              | Tape and Reel | 2500     | IRS2500STRPBF        |

| <b>Table of Contents</b>                       | <b>Page</b> |
|--|-------------|
| Description                                    | 3           |
| Qualification Information                      | 4           |
| Absolute Maximum Ratings                       | 5           |
| Recommended Operating Conditions               | 5           |
| Electrical Characteristics                     | 6           |
| Functional Block Diagram                       | 8           |
| Input / Output Pin Equivalent Circuit Diagram  | 8           |
| Lead Definitions                               | 9           |
| Lead Assignments                               | 9           |
| Application Information and Additional Details | 10          |
| PCB Layout Guidelines                          | 13          |
| PFC Design Equations (for Boost converter)     | 14          |
| Operating Characteristics over Temperature     | 15          |
| Package Details                                | 17          |
| Tape and Reel Details                          | 18          |
| Part Marking Information                       | 19          |

**Description**

The IRS2500 is a fully integrated, fully protected power factor correcting SMPS control IC designed to drive Boost switching regulators providing high power factor. Typical applications are PFC pre-regulators for SMPS and electronic ballasts for fluorescent, HID or LED lighting. The IRS2500 is pin compatible with most industry standard critical conduction mode PFC control ICs, with additional improvements to increase performance. The IRS2500 based converter provides high PF, low THD and stable DC bus regulation over a wide line/load range. Protection features include cycle by cycle over-current protection and output over voltage protection.

**Typical Connection Diagram**



**Qualification Information<sup>†</sup>**

|                            |                  |   |  |
|----------------------------|------------------|---|--|
| Qualification Level        |                  | Industrial <sup>††</sup>  |  |
|                            |                  | Comments: This family of ICs has passed JEDEC's Industrial qualification. IR's Consumer qualification level is granted by extension of the higher Industrial level. |  |
| Moisture Sensitivity Level |                  | SOIC8   | MSL2 <sup>†††</sup> 260°C<br>(per IPC/JEDEC J-STD-020) |
| ESD                        | Machine Model    | Class B<br>(per JEDEC standard JESD22-A115)   |  |
|                            | Human Body Model | Class 2<br>(per EIA/JEDEC standard EIA/JESD22-A114)   |  |
| IC Latch-Up Test           |                  | Class I, Level A<br>(per JESD78)  |  |
| RoHS Compliant             |                  | Yes   |  |

† Qualification standards can be found at International Rectifier's web site <http://www.irf.com/>

†† Higher qualification ratings may be available should the user have such requirements. Please contact your International Rectifier sales representative for further information.

††† Higher MSL ratings may be available for the specific package types listed here. Please contact your International Rectifier sales representative for further information.

## Absolute Maximum Ratings

Absolute maximum ratings indicate sustained limits beyond which damage to the device may occur. All voltage parameters are absolute voltages referenced to COM. All currents are defined positive into any lead. The thermal resistance and power dissipation ratings are measured under board mounted and still air conditions.

| Symbol | Definition  | Min. | Max.      | Units |
|--------|---|------|-----------|-------|
| VCC    | Supply Voltage <sup>†</sup>   | -0.3 | VCLAMP    |       |
| VOUT   | Gate Driver Output Voltage  | -0.3 | VCC + 0.3 | V     |
| IOMAX  | Maximum allowable output current (OUT) due to external power transistor miller effect | -500 | 500       | mA    |
| ICC    | VCC current   | 0    | 25        | mA    |
| VCOMP  | COMP Pin Voltage  | -0.3 | VCC + 0.3 | V     |
| VOC    | OC Pin Voltage  |      |           |       |
| VVBUS  | VBUS Pin Voltage  | -0.3 | 7.0       |       |
| VDC    | VDC Pin Voltage   |      |           |       |
| VZX    | ZX Pin Voltage  |      |           |       |
| ICOMP  | COMP Pin Current  | -5   | 5         | mA    |
| IZX    | ZX Pin Current  |      |           |       |
| IOC    | OC Pin Current  |      |           |       |
| PD     | Package Power Dissipation @ TA ≤ +25°C  | ---  | 0.625     | W     |
| RθJA   | Thermal Resistance, Junction to Ambient   | ---  | 128       | °C/W  |
| TJ     | Junction Temperature  | -55  | 150       | °C    |
| TS     | Storage Temperature   | -55  | 150       |       |
| TL     | Lead Temperature (soldering, 10 seconds)  | ---  | 300       |       |

† This IC contains a zener clamp structure between the chip V<sub>CC</sub> and COM which has a nominal breakdown voltage of 20V. This supply pin should not be driven by a DC, low impedance power source greater than the V<sub>CLAMP</sub> specified in the Electrical Characteristics section.

## Recommended Operating Conditions

For proper operation the device should be used within recommended conditions.

| Symbol | Definition                  | Min.   | Max.   | Units |
|--------|-----------------------------|--------|--------|-------|
| VCC    | Supply Voltage <sup>†</sup> | VCCUV+ | VCLAMP | V     |
| ICC    | VCC Supply Current          | 0      | 10     | mA    |
| IOC    | OC Pin Current              | -1     | 1      |       |
| IZX    | ZX Pin Current              |        |        |       |
| TJ     | Junction Temperature        | -25    | 125    | °C    |

**Electrical Characteristics**

V<sub>CC</sub> = 14 V +/- 0.25 V, C<sub>OUT</sub>=1000pF, C<sub>VCC</sub>=0.1µF, T<sub>A</sub>=25 °C unless otherwise specified.

| Symbol                                 | Definition  | Min  | Typ  | Max  | Units | Test Conditions                   |
|--|---|------|------|------|-------|-----------------------------------|
| <b>Supply Characteristics</b>          |   |      |      |      |       |                                   |
| VCCUV+                                 | VCC Supply Undervoltage Positive Going Threshold  | 11.5 | 12.5 | 13.5 |       |                                   |
| VCCUV-                                 | VCC Supply Undervoltage Negative Going Threshold  | 9.5  | 10.5 | 11.5 |       |                                   |
| VUVHYS                                 | VCC Supply Undervoltage Lockout Hysteresis        | 1.5  | 2.0  | 3.0  |       |                                   |
| IQCCUV                                 | UVLO Mode VCC Quiescent Current                   | ---  | 30   | 50   | µA    | VCC = 8V                          |
| ICC                                    | VCC Supply Current                                | ---  | 2.3  | 5.0  | mA    | VBUS=2.5V<br>PFC off time = 5us   |
| VCLAMP                                 | VCC Zener Clamp Voltage                           | ---  | 20.0 | ---  | V     | ICC = 10mA                        |
| <b>Error Amplifier Characteristics</b> |   |      |      |      |       |                                   |
| ICOMP SOURCE                           | COMP Pin Error Amplifier Output Current Sourcing  | ---  | 10   | ---  | mA    | VVBUS = 2.4V<br>VCOMP=4.0V        |
| ICOMP SINK                             | COMP Pin Error Amplifier Output Current Sinking   | ---  | -23  | ---  |       | VVBUS = 2.6V<br>VCOMP=4.0V        |
| VCOMPOH                                | Error Amplifier Output Voltage Swing (high state) | ---  | 6.0  | ---  | V     | VBUS=2.0V<br>ICOMP=-0.5mA         |
| VCOMPOL                                | Error Amplifier Output Voltage Swing (low state)  | ---  | 0.25 | ---  |       | VBUS=3.0V<br>ICOMP=+0.5mA         |
| VCOMPFLT                               | Error Amplifier Output Voltage in Fault Mode      | ---  | 0    | ---  |       | VBUS=3.0V                         |
| IVBUS                                  | Input bias current                                | ---  | ---  | -1   | µA    | VBUS=0 to 3V                      |
| Gv                                     | Voltage gain                                      | 60   | 80   | ---  | dB    | Open loop                         |
| GB                                     | Bandwidth   | ---  | 1    | ---  | MHz   |                                   |
| <b>Control Characteristics</b>         |   |      |      |      |       |                                   |
| VVBUS                                  | VBUS Internal Reference Voltage                   | 2.46 | 2.5  | 2.54 | V     | VCOMP = 4.0V                      |
| VZX+                                   | ZX Pin Threshold Voltage (Arm)                    | ---  | 1.6  | ---  |       |                                   |
| VZX-                                   | ZX Pin Threshold Voltage (Trigger)                | ---  | 0.7  | ---  |       |                                   |
| VZXclamp                               | ZX pin Clamp Voltage (high state)                 | ---  | 5.2  | ---  |       |                                   |
| VDCclamp                               | VDC pin Clamp Voltage                             | ---  | 5.2  | ---  |       | IDC = 1mA                         |
| tBLANK                                 | OC pin current-sensing blank time                 | ---  | 320  | ---  | ns    | VBUS=2.5V<br>VCOMP=4.0V           |
| tWD                                    | PFC Watch-dog Pulse Interval                      | ---  | 400  | ---  | µs    | ZX = 0, VCOMP = 4.0V              |
| tONMIN                                 | PFC Minimum ON time                               | ---  | 0.3  | ---  | µs    | ZX = 0, VCOMP = 0.25V             |
| tONMAX                                 | PFC Maximum ON Time                               | 10   | 50   | ---  | µs    | ZX = 0, VCOMP = 6.0V,<br>VDC = 2V |

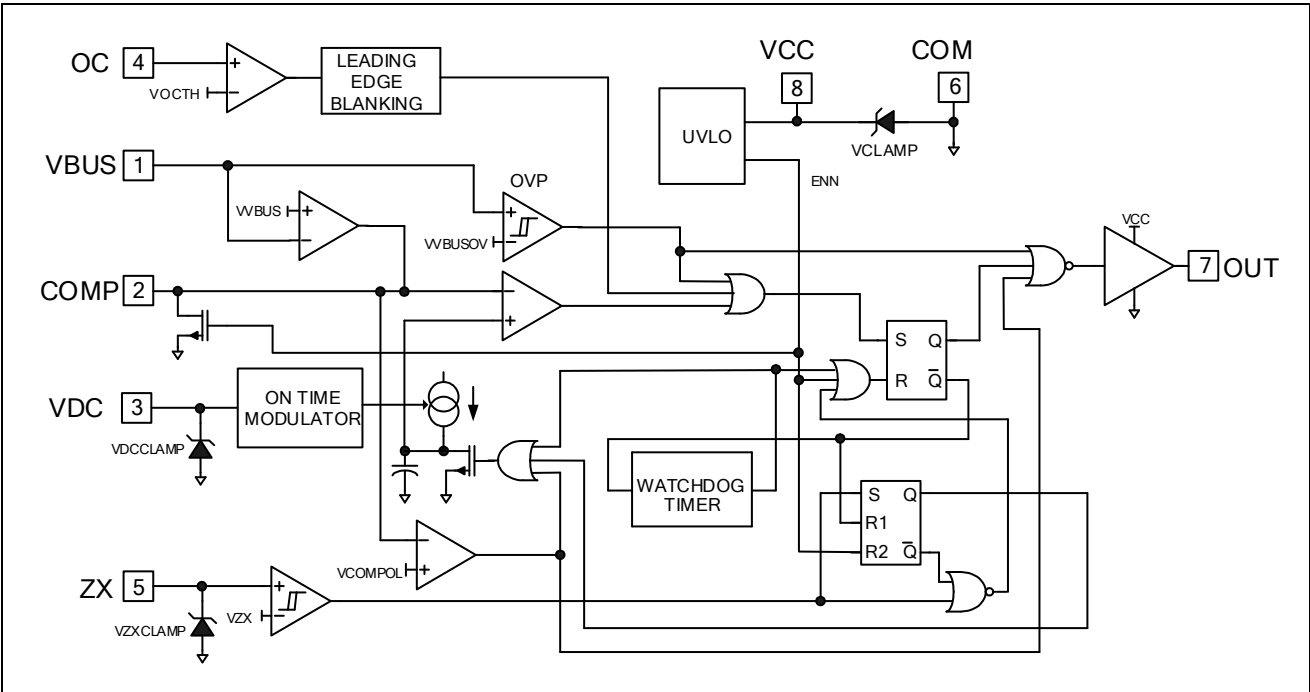
**Electrical Characteristics (cont'd)**

VCC = 14V +/- 0.25V, COUT = 1000pF,

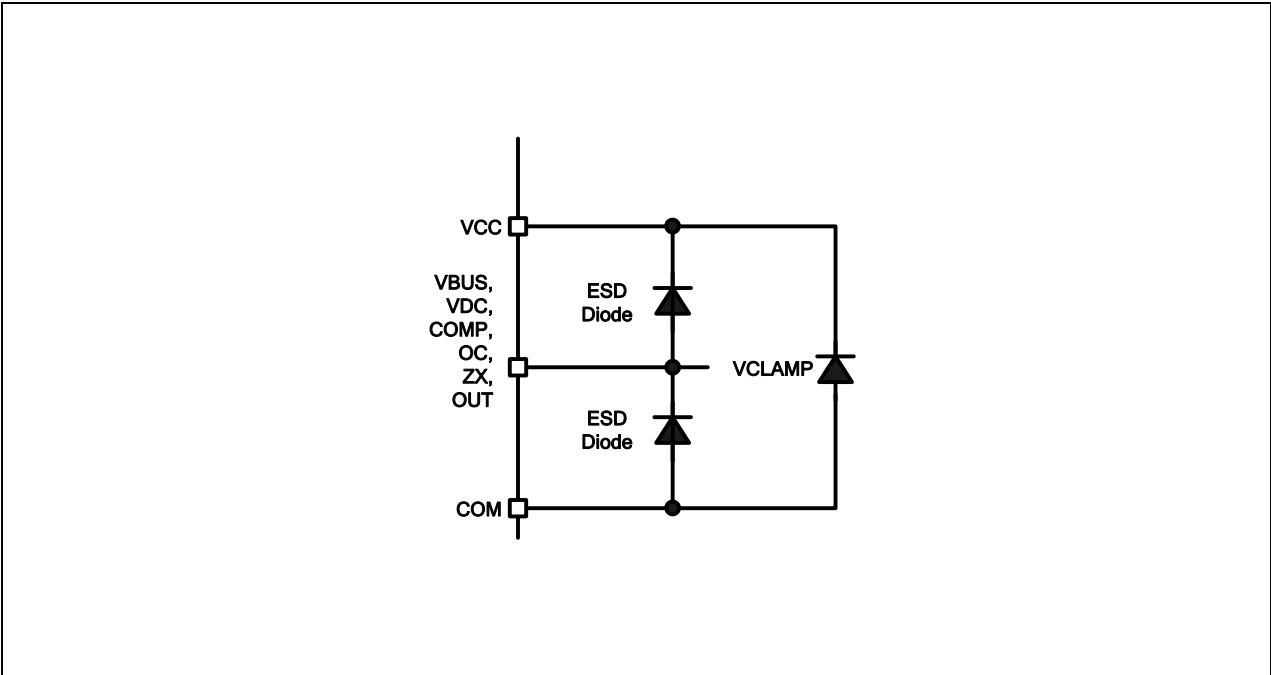
VCOMP = VOC = VBUS = VZX = 0V, TA=25C unless otherwise specified.

| <b>Protection Circuitry Characteristics</b> |  |      |     |      |    |                      |
|---|--|------|-----|------|----|----------------------|
| VOCTH                                       | OC Pin Over-current Sense Threshold      | 0.93 | 1.1 | 1.22 | V  |                      |
| VVBUSOV                                     | VBUS Over-voltage Comparator Threshold   |      | 2.7 |      |    | Guaranteed by design |
| VVBUSOV<br>HYS                              | VBUS Over-voltage Comparator Hysteresis  | 50   | 100 | 150  | mV | Guaranteed by design |
| ICOMPOV+                                    | Dynamic Over-voltage detection threshold |      | 30  |      | μA |                      |
| ICOMPOV-                                    | Dynamic Over-voltage detection reset     |      | 8   |      |    |                      |
| <b>Gate Driver Output Characteristics</b>   |  |      |     |      |    |                      |
| VOL   | Low-Level Output Voltage                 | ---  | 0   | 100  | mV | IO = 0               |
| VOH   | High-Level Output Voltage                | ---  | 0   | 11   | V  | IO = 0               |
| tr  | Turn-On Rise Time                        | ---  | 60  | 110  | ns |                      |
| tf  | Turn-Off Fall Time                       | ---  | 30  | 70   |    |                      |
| I0+   | Source Current                           | ---  | 500 | ---  | mA |                      |
| I0-   | Sink Current                             | ---  | 500 | ---  |    |                      |

**Functional Block Diagram**



**Input / Output Pin Equivalent Circuit Diagrams**

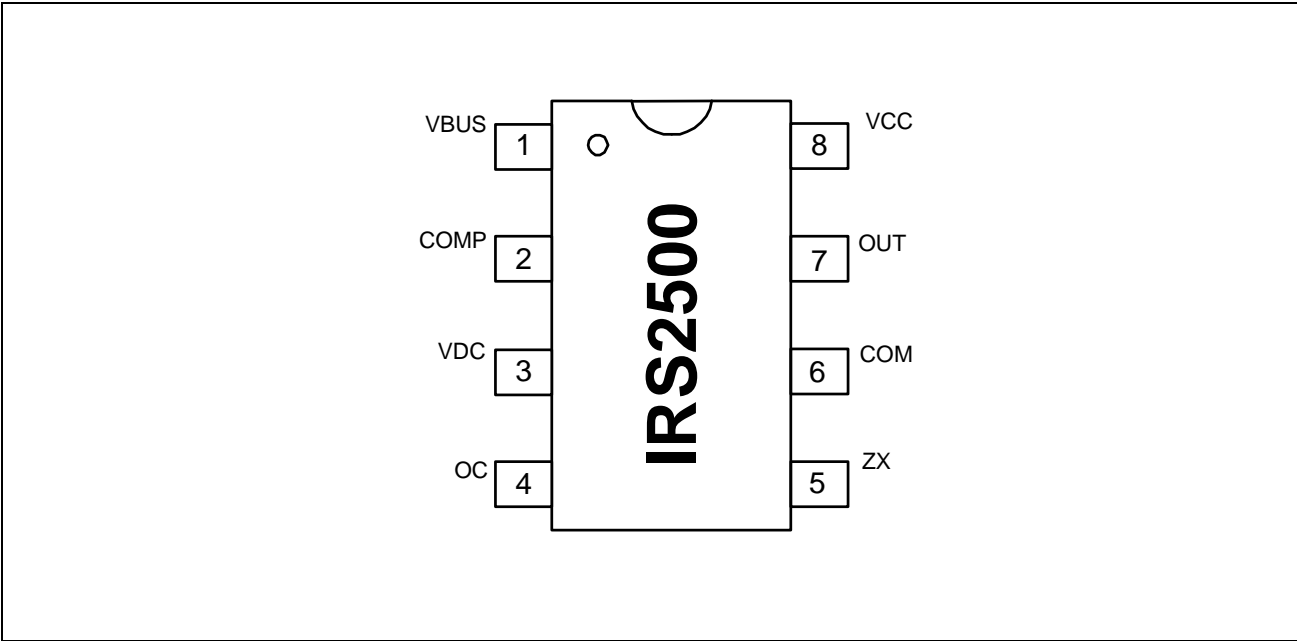




**Lead Definitions**

| Symbol | Description                         |
|--------|-------------------------------------|
| VBUS   | DC Bus Sensing Input                |
| COMP   | PFC Error Amplifier Compensation    |
| VDC    | Full Wave Voltage Input             |
| OC     | PFC Current Sensing Input           |
| ZX     | PFC Zero-Crossing Detection         |
| COM    | IC Power & Signal Ground            |
| OUT    | Gate Drive Output                   |
| VCC    | Logic & Low-Side Gate Driver Supply |

**Lead Assignments**



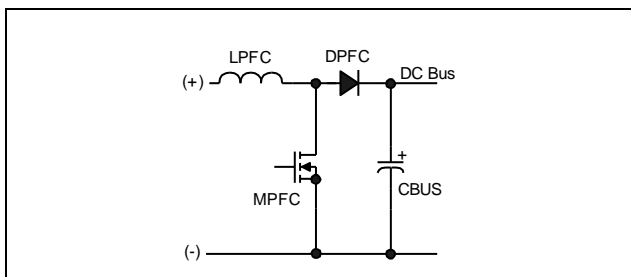
## Application Information and Additional Details

Power factor correction is required for many electrical appliances in order to minimize reactive current losses in AC power transmission lines. The degree to which an electronic system matches an ideal purely resistive load; is measured by the phase shift (displacement) between the input voltage and current and the amount of current waveform distortion. This can also be considered as how well the shape of the input current waveform matches the shape of the sinusoidal input voltage.

The power factor (PF) is defined as the ratio between *real* power and *apparent* power with a maximum value of 1.0 representing a totally resistive load where the current waveform shape matches the voltage waveform exactly. The distortion of the input current waveform is quantified by the *total harmonic distortion* (THD), which is the sum of all individual harmonics present the waveform expressed as a percentage.

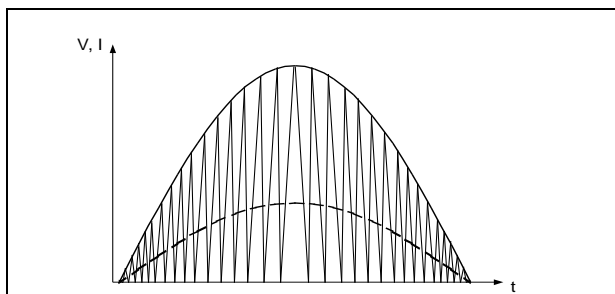
An ideal power factor of 1.0 corresponds to zero phase-shift and 0% THD. This represents a purely sinusoidal input current waveform perfectly in phase with a purely sinusoidal line voltage. The lower the power factor the more current is needed to supply the same power to the load resulting is higher transmission line conduction losses. High PF and low THD therefore provide optimum efficiency. The IRS2500 forms the basis of an active power factor correction (PFC) pre-converter to convert AC line input to a regulated DC bus.

The control method implemented in the IRS2500 is typically used in a Boost converter (Figure 8). The IRS2500 operates in critical-conduction mode (CrCM), also known as transition or boundary mode. This means that during each switching cycle of the PFC MOSFET, the inductor current discharges to zero before turning the PFC MOSFET on again. The PFC MOSFET is turned on and off at a much higher frequency (>10kHz) than the line input frequency (50 to 60Hz).



**Figure 8:** Boost converter circuit.

When the switch MPFC is turned on, the inductor LPFC is connected between the rectified line input (+) and (-) causing the current in LPFC to increase linearly. When MPFC is turned off, LPFC is connected between the rectified line input (+) and the DC bus capacitor CBUS through diode DPFC. The stored energy in LPFC is transferred to the output supplying current into CBUS. MPFC is turned on and off at a high frequency and the voltage on CBUS rises to a determined level. The voltage feedback loop of the IRS2500 regulates the output to the desired level by continuously monitoring the DC output and adjusting the on-time of MPFC accordingly. If the output voltage is too high, the on-time is decreased and if it is too low, the on-time is increased. This negative feedback control loop operates with a slow loop speed and a low loop gain such that the average inductor current smoothly follows the low-frequency line input voltage to obtain high power factor and low THD. The loop speed must be slow with respect to the AC line frequency so that there is no appreciable change in the on time during a single line half cycle. This allows the current to follow shape of the sinusoidal voltage.



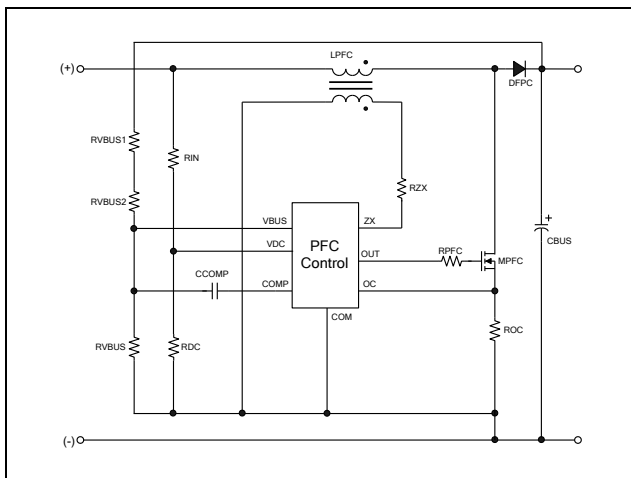
**Figure 9:** Sinusoidal line input voltage (solid line), triangular PFC Inductor current and smoothed sinusoidal line input current (dashed line) over one half-cycle of the AC line input voltage.

Corrections to the output voltage therefore require several line cycles. During the AC line half cycle the on-time remains effectively constant while the off-time varies. This is determined by the inductor current discharging to zero resulting in a system where the switching frequency is free-running and constantly changing from a high frequency near the zero crossing of the AC input line voltage, to a lower frequency at the peaks (Figure 9).

When the line instantaneous input voltage is low (near the zero crossing), the inductor current will increase only a small amount and the discharge time will be short resulting in a high switching

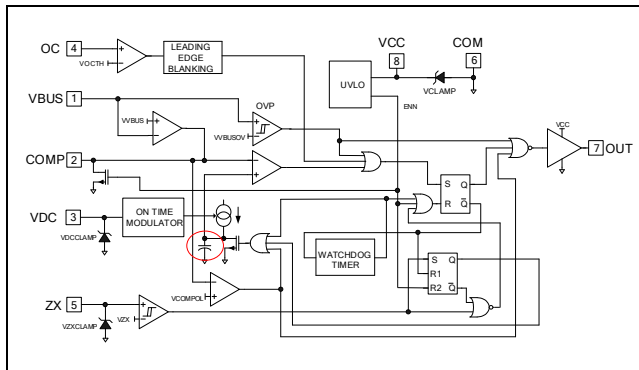
frequency. When this voltage is high (near the peak), the inductor current will charge up to a much higher level and the discharge time will be longer giving a lower switching frequency.

The PFC control circuit of the IRS2500 (Figure 10) includes six control pins: VBUS, COMP, ZX, OUT, VDC and OC. The VBUS pin measures the DC bus voltage through an external resistor voltage divider. The COMP pin voltage determines the on-time of MPFC and sets the feedback loop response speed with an external RC integrator. The ZX pin detects when the inductor current discharges to zero each switching cycle using a secondary winding from the PFC inductor. The OUT pin is the low-side gate driver output for the external MOSFET, MPFC. The VDC pin senses the line input cycle providing phase information to control the on time modulation function described in the next section to improve THD. The OC pin senses the current flowing through MPFC and performs cycle-by-cycle over-current protection.



**Figure 10:** IRS2500 simplified PFC control circuit.

The VBUS pin is compared with a fixed internal 2.5V reference voltage to regulate the DC output voltage shown in the block diagram Figure 11. The feedback loop error amplifier increases or decreases the COMP pin voltage. The resulting voltage on the COMP pin sets the threshold for the charging of the internal timing capacitor circled in red in Figure 11 and therefore determines the on-time of MPFC. The error amplifier operates at a slow loop speed preventing rapid changes in PWM duty cycle during a single input line cycle. This prevents distortion achieving high power factor and low THD.

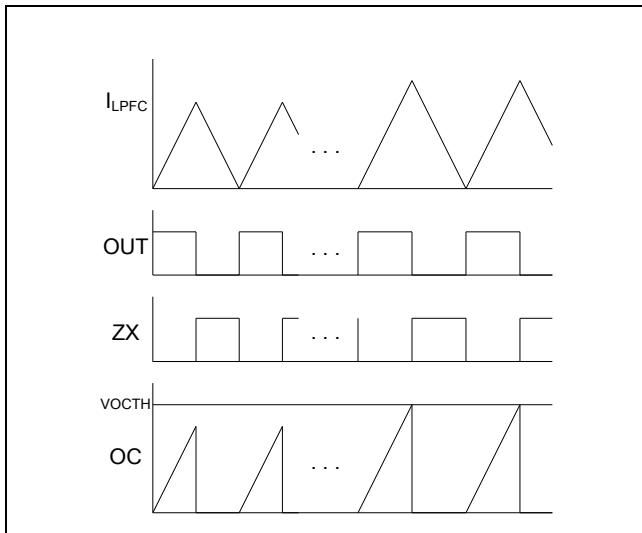


**Figure 11:** IRS2500 detailed PFC control circuit.

The off-time of MPFC is determined by the time it takes the LPFC current to discharge to zero. The zero current level is detected by a secondary winding on LPFC that is connected to the ZX pin through an external current limiting resistor RZX. A positive-going edge exceeding the internal threshold  $V_{ZX+}$  signals the beginning of the off-time. A negative-going edge on the ZX pin falling below  $V_{ZX-}$  occurs when the LPFC current discharges to zero; this signals the end of the off-time and MPFC is turned on again (Figure 12). The ZX pin is internally biased to ensure that the voltage detected from the inductor drops fully to zero before triggering the next PWM cycle. A wide hysteresis prevents false triggering by ringing oscillations. The cycle repeats itself indefinitely until the IRS2500 is disabled through an over-voltage condition on the DC bus or if the negative transition of ZX pin voltage does not occur. Should the negative edge on the ZX pin not occur, MPFC will remain off until the watch-dog timer forces a turn-on. The watch-dog pulses trigger a new switching cycle every 300-400 $\mu$ s (tWD) indefinitely until a correct positive and negative-going signal is detected at the ZX pin and normal operation is resumed.

### Cycle by Cycle Over-Current Protection

Should the OC pin voltage exceed the VOCTH over-current threshold during the on-time the gate drive output will be turned off after a short leading edge blanking period (tBLANK). The circuit will then wait for a negative-going transition on the ZX pin or a forced turn-on from the watch-dog timer to turn the output on again.

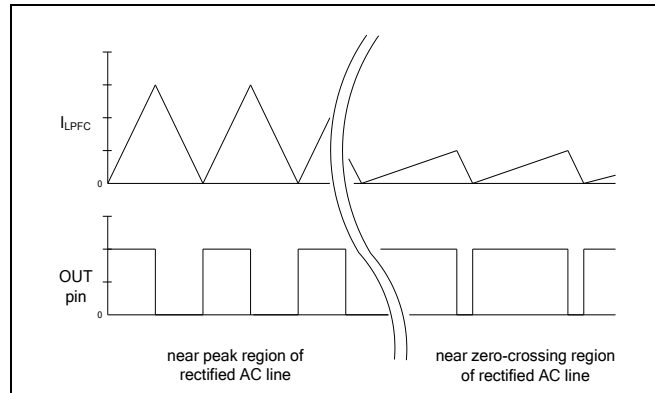


**Figure 12:** Inductor current, OUT pin, ZX pin and OC pin timing diagram.

#### On-time Modulation Circuit

A fixed on-time of MPFC over an entire cycle of the line input voltage produces a peak inductor current which naturally follows the sinusoidal shape of the line input voltage. The smoothed, averaged line input current is in phase with the line input voltage for high power factor. However this does not result in zero total harmonic distortion (THD). This is mostly due to cross-over distortion of the line current near the zero-crossings of the line input voltage. To achieve lowest possible harmonics for compliance with international standards and general market requirements, the IRS2500 includes an additional on-time modulation circuit. This circuit dynamically increases the on-time of MPFC as the line input voltage nears the zero-crossings (Figure 13). This causes the peak LPFC current and therefore the smoothed line input current to increase near the zero-crossings of the line input voltage. The amount of cross-over distortion in the line input current is therefore reduced, which reduces the THD and higher harmonics. The on time modulation function is controlled via the VDC input. The full wave rectified voltage from the bridge rectifier is divided down by RIN and RDC to provide an input with a peak voltage of approximately 1V at 90VAC input and 3V at 277VAC. A filtering capacitor is not required at the VDC input. For correct operation care should be taken to avoid high voltage surges appearing at the VDC input during startup. A simple network can be added to prevent this if necessary.

The on time modulation function is not required in some applications. In such cases the VDC input should be tied to VCC through a 10K resistor.



**Figure 13:** On-time modulation circuit timing diagram.

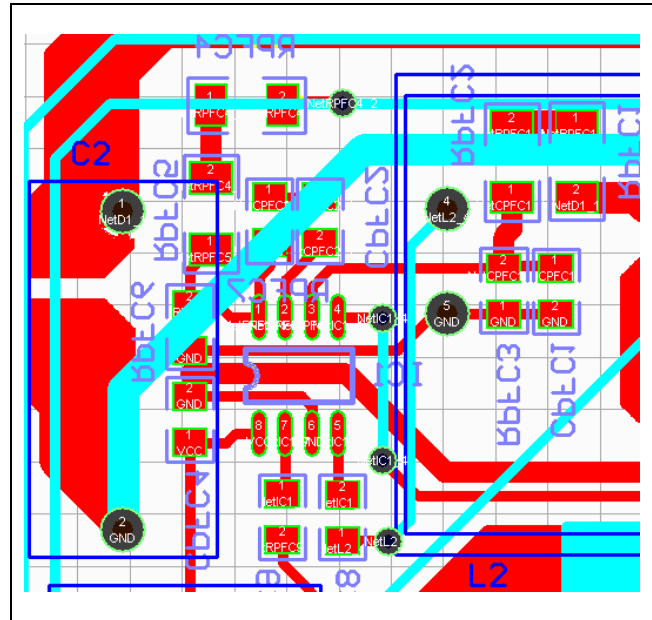
#### Output Over-Voltage Protection

The IRS2500 incorporates both static and dynamic over-voltage protection. Static over voltage protection monitors the feedback voltage at the VBUS pin and disables the gate drive output if this voltage exceeds the target voltage by 8%. This is activated by an internal comparator set to detect a threshold of 2.7V (VVBUSOV), which is 8% above the regulation threshold of 2.5V (VVBUS). However, under startup condition or when a load is removed from the output, the error amplifier output voltage at the COMP pin swings low. Since the compensation capacitor CCOMP is connected from this output back to the VBUS input a current will flow during the COMP voltage transition. This pulls down the VBUS voltage, which would allow the output voltage to exceed the desired regulation level during the transition resulting in an overshoot before the voltage at the VBUS input exceeds the regulation threshold. In order to compensate for this effect, the IRS2500 includes dynamic detection of the error amplifier output current. During a swing in the negative direction the error amplifier output current peaks at a much high level than the level during steady state operation. This higher current is internally detected and triggers the overvoltage protection circuitry disabling the PWM output until the error amplifier output has settled to a new level. This prevents the output voltage from overshooting the desired level by a significant amount under the transient conditions described. For this reason the loop should be designed such that voltage ripple at COMP is minimized during steady state operation.

## PCB Layout Guidelines

For correct operation of the IRS2500, the PCB should be designed to avoid noise coupling to the control inputs and ground loops. By following the recommendations listed here potential issues will be avoided:

1. The circuit signal and power grounds should be joined together at one point only. The signal ground should be a star point located close to the COM pin of the IRS2500.
2. The point at which the signal ground is connected to the power ground is recommended to be at the current sense resistor (ROC) ground.
3. A 0.1 $\mu$ F noise decoupling capacitor should be located between the VCC and COM pins of the IRS2500 located as close to the IC as possible.
4. All traces to the VBUS input should be as short as possible. This means that resistors and capacitors that are connected to this input should be located as close to the IRS2500 as possible. The voltage feedback divider resistor connected to COM should be connected to a signal ground close to the COM pin.
5. Traces carrying high voltage switching signals such as those connected to the MOSFET drain or gate drive signals should not be located close to traces connected directly to the VBUS input.
6. The divider network resistor (RDC) connected to the VDC input of the IRS2500 should be located as closely to the IC as possible with the grounded end connected to the circuit signal ground.
7. The compensation capacitor CCOMP should be located close to the IRS2500 with short traces leading to the VBUS and COMP pins.
8. The over current detection filter resistor (ROC) and capacitor (COC) should be located as close to the IRS2500 as possible with COC connected to the circuit signal ground.
9. The zero crossing detection resistor should be located close to the IRS2500 if possible to prevent possible noise appearing at this input.



**Figure 14:** Layout Example

Figure 14 shows a layout where the IRS2500 is located on the bottom side of the PCB. The bottom side traces are shown in red and the top side traces in pale blue. The circuit power ground can be seen at the C2 GND node with the signal ground star point is located at the junction between RPFC6 and CPFC4 to the left of the IRS2500 (IC1). (Note that the component designators in this example are different from those used in the datasheet schematics)

The traces from IC1 pin 6, RPFC3 and CPFC1 (the VDC divider low side) all connect directly to the star point without crossing any other grounds. The signal ground is connected to the power ground at the current sense resistor. A large trace can be seen running from the star point off the left to where the MOSFET is situated (not shown). This is the single point where the signal and power grounds are connected. The VCC supply decoupling capacitor shown in this example is CPFC4, which is located very close to the IRS2500 and grounded directly to the signal ground star point.

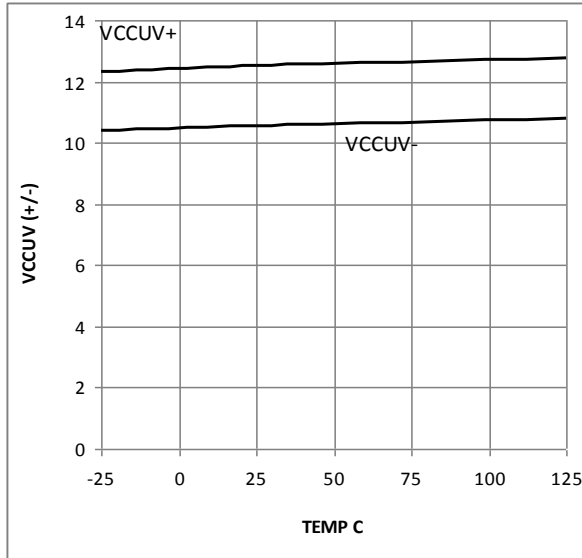
Traces leading to pin 1 (VBUS) are all short and components connected to pin 1 (RPFC5, RPFC6 and RPFC7) are all located close to IC1. There are no traces connected to high voltage switching nodes located anywhere close to pin 1.

The board layout shown in figure 14 complies with all of the guidelines stated enabling optimum operation of the IRS2500.

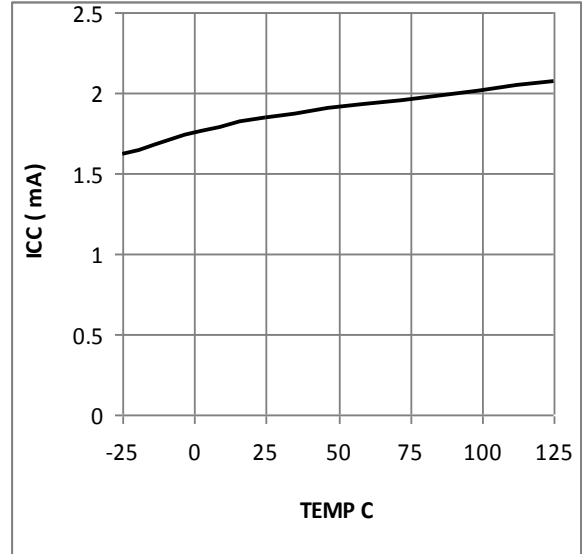
**PFC Design Equations (for Boost Converter)**

| Formula  | Units   |
|--|---|
| <u>Calculate PFC inductor value:</u>   |   |
| $L_{PFC} = \frac{(VBUS - \sqrt{2} \cdot VAC_{MIN}) \cdot VAC_{MIN}^2 \cdot \eta}{2 \cdot f_{MIN} \cdot P_{OUT} \cdot VBUS}$  | H   |
| $VBUS$   | DC bus voltage  |
| $VAC_{MIN}$  | Minimum RMS AC input voltage                                |
| $\eta$   | PFC efficiency (typically 0.95)                             |
| $f_{MIN}$  | Minimum PFC switching frequency at minimum AC input voltage |
| $P_{OUT}$  | Output power  |
| <u>Calculate peak PFC inductor current:</u>  |   |
| $i_{PK} = \frac{2 \cdot \sqrt{2} \cdot P_{OUT}}{VAC_{MIN} \cdot \eta}$   | A   |
| <p><u>Note:</u><br/>           The PFC inductor must not saturate at <math>i_{PK}</math> over the specified operating temperature range.<br/>           Correct core sizing and air-gapping is essential in the inductor design.</p> |   |
| <u>Calculate PFC over-current resistor ROC value:</u>  |   |
| $R_{OC} = \frac{VOCTH}{i_{PK}}$  | $\Omega$  |
| Where, $VOCTH = 1.1V$  |   |
| <u>Calculate start-up resistor RVCC value:</u>   |   |
| $R_{VCC} = \frac{\sqrt{2} \cdot VAC_{MIN}}{IQCCUV}$  | $\Omega$  |
| <u>Switch On-Time</u>  |   |
| $t_{ON} = \frac{2 \cdot P_{OUT} \cdot L_{PFC}}{\eta \cdot V_{AC}^2}$   | $\mu s$   |
| <u>Switch Off-Time</u>   |   |
| $t_{OFF} = \frac{t_{ON}}{\left( \frac{V_{OUT}}{\sqrt{2} \cdot V_{AC} \cdot  \sin(\theta) } \right) - 1}$   | $\mu s$   |
| $\theta$   | AC line voltage phase angle                                 |

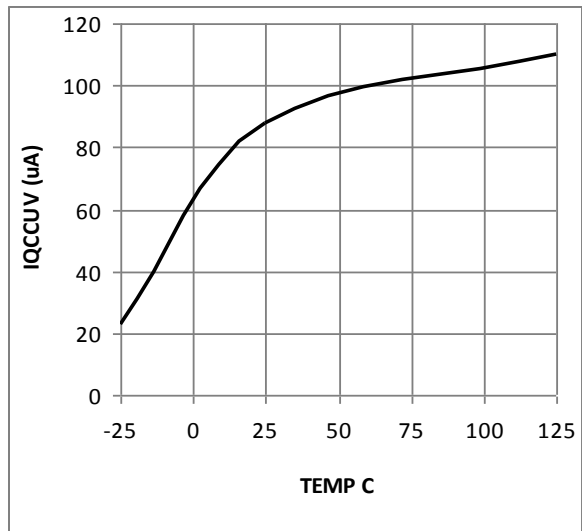
### Operating Characteristics over Temperature



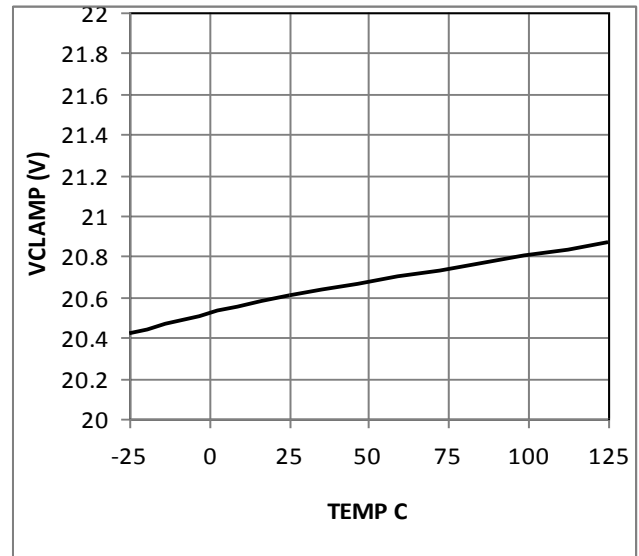
Graph 1: VCCUV+ vs. Temperature



Graph 2: ICC vs. Temperature

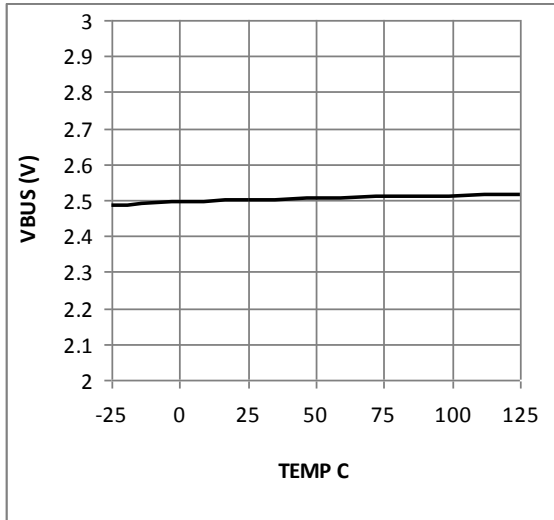


Graph 3: IQCCUV vs. Temperature

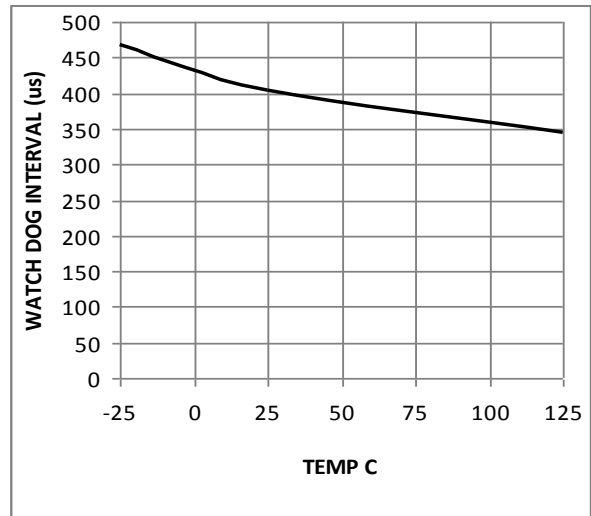


Graph 4: VCLAMP vs. Temperature

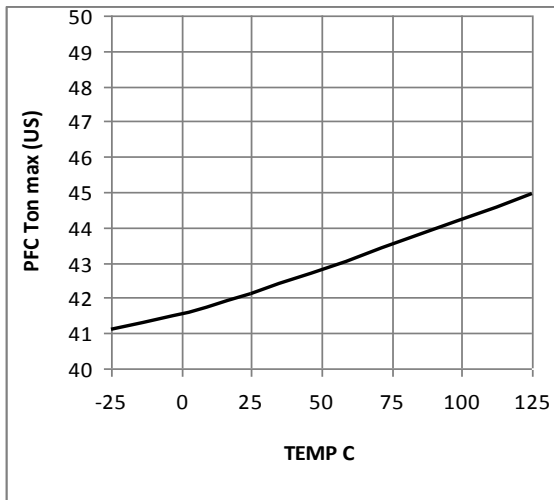




Graph 5: VBUS reference vs. Temperature



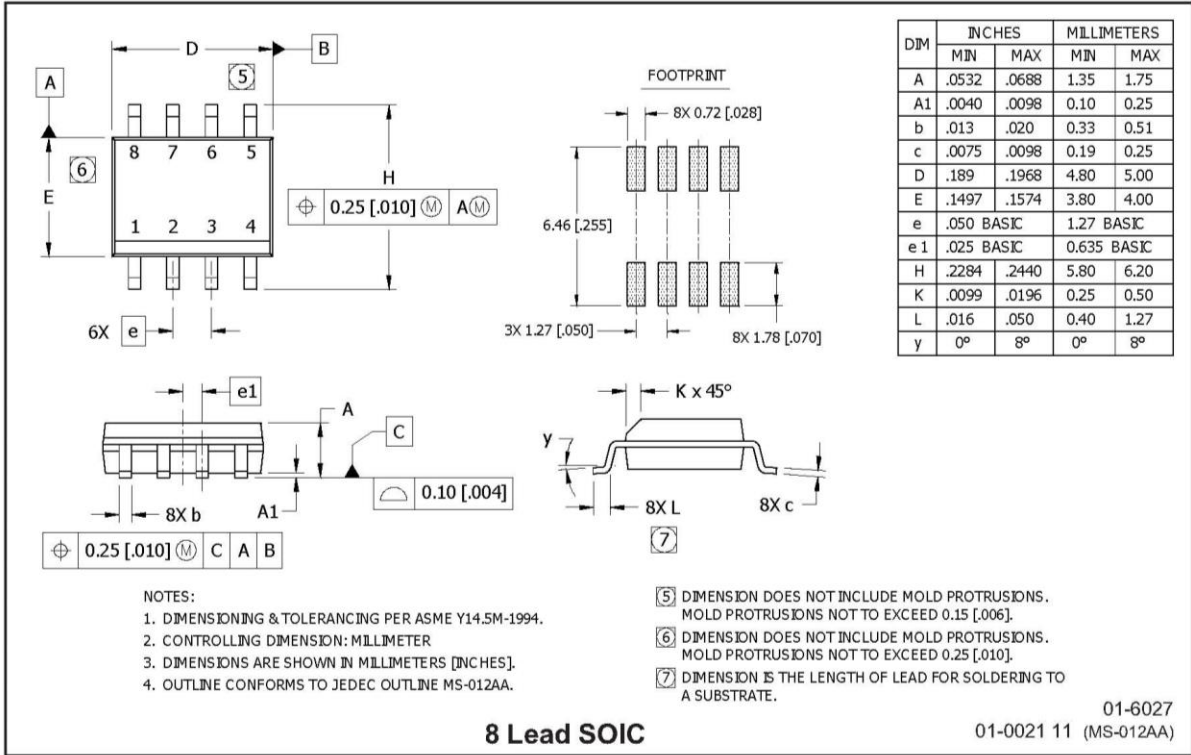
Graph 6: Watch dog interval vs. Temperature



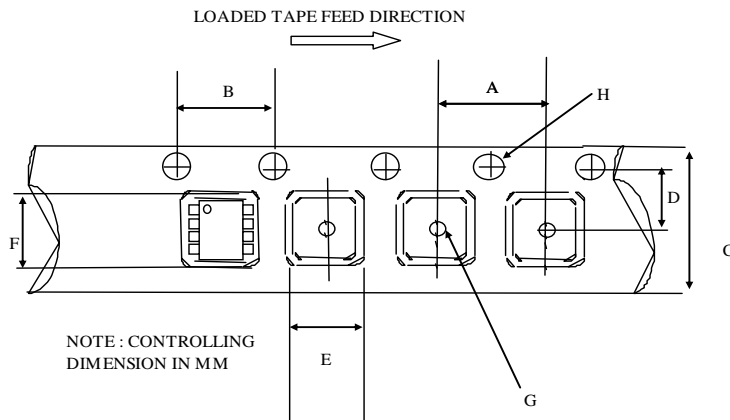
Graph 7: PFC Ton max (us)



**Package Details**

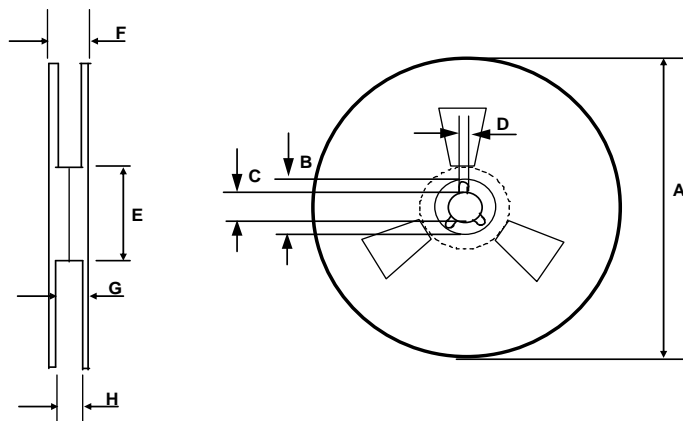


**Tape and Reel Details**



**CARRIER TAPE DIMENSION FOR 8SOICN**

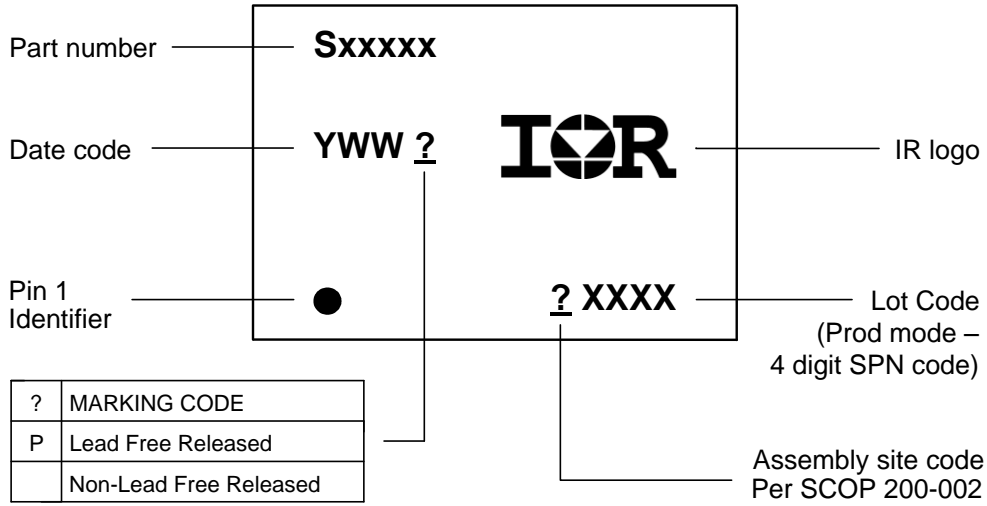
| Code | Metric |       | Imperial |       |
|------|--------|-------|----------|-------|
|      | Min    | Max   | Min      | Max   |
| A    | 7.90   | 8.10  | 0.311    | 0.318 |
| B    | 3.90   | 4.10  | 0.153    | 0.161 |
| C    | 11.70  | 12.30 | 0.46     | 0.484 |
| D    | 5.45   | 5.55  | 0.214    | 0.218 |
| E    | 6.30   | 6.50  | 0.248    | 0.255 |
| F    | 5.10   | 5.30  | 0.200    | 0.208 |
| G    | 1.50   | n/a   | 0.059    | n/a   |
| H    | 1.50   | 1.60  | 0.059    | 0.062 |



**REEL DIMENSIONS FOR 8SOICN**

| Code | Metric |        | Imperial |        |
|------|--------|--------|----------|--------|
|      | Min    | Max    | Min      | Max    |
| A    | 329.60 | 330.25 | 12.976   | 13.001 |
| B    | 20.95  | 21.45  | 0.824    | 0.844  |
| C    | 12.80  | 13.20  | 0.503    | 0.519  |
| D    | 1.95   | 2.45   | 0.767    | 0.096  |
| E    | 98.00  | 102.00 | 3.858    | 4.015  |
| F    | n/a    | 18.40  | n/a      | 0.724  |
| G    | 14.50  | 17.10  | 0.570    | 0.673  |
| H    | 12.40  | 14.40  | 0.488    | 0.566  |

**Part Marking Information**



**Revision History**

**Major changes since the last revision**

| Date              | Description of change                             |
|-------------------|---|
| February 22, 2012 | First Release                                     |
| September 6, 2015 | Updated block diagram and functional description. |
|                   |   |

The information provided in this document is believed to be accurate and reliable. However, International Rectifier assumes no responsibility for the consequences of the use of this information. International Rectifier assumes no responsibility for any infringement of patents or of other rights of third parties which may result from the use of this information. No license is granted by implication or otherwise under any patent or patent rights of International Rectifier. The specifications mentioned in this document are subject to change without notice. This document supersedes and replaces all information previously supplied.

For technical support, please contact IR’s Technical Assistance Center  
<http://www.irf.com/technical-info/>

**WORLD HEADQUARTERS:**  
 233 Kansas St., El Segundo, California 90245  
 Tel: (310) 252-7105