

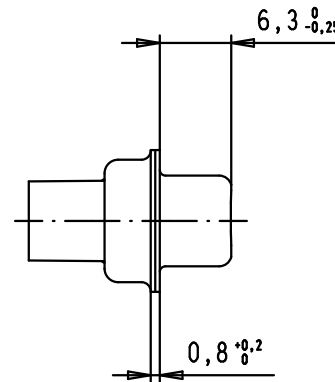
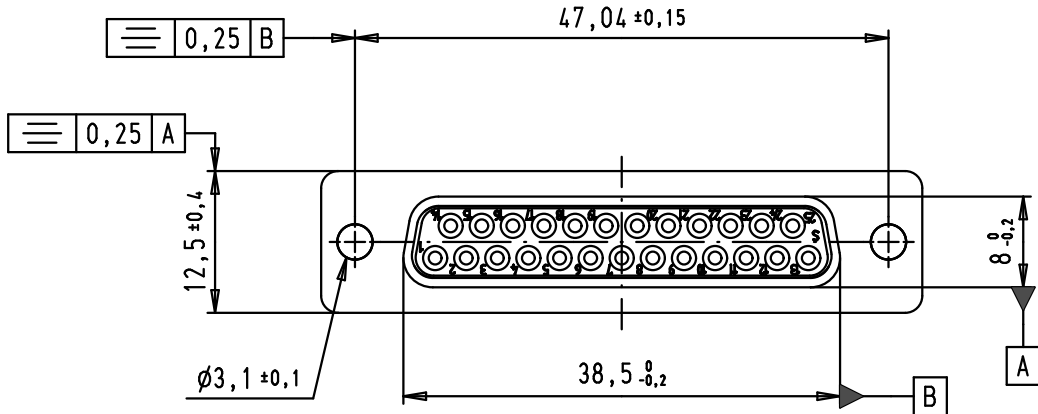
5

4

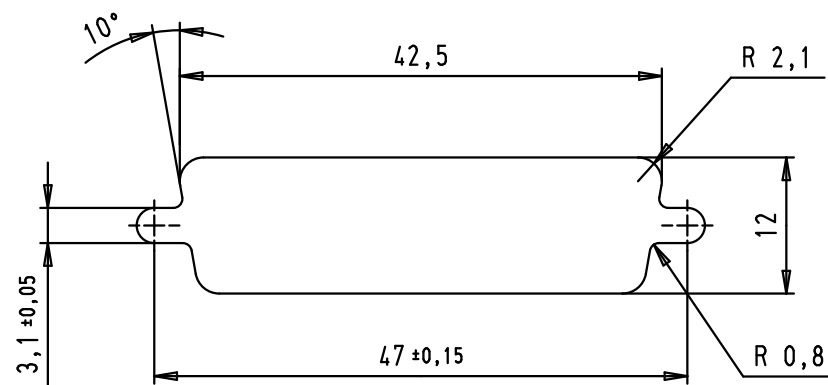
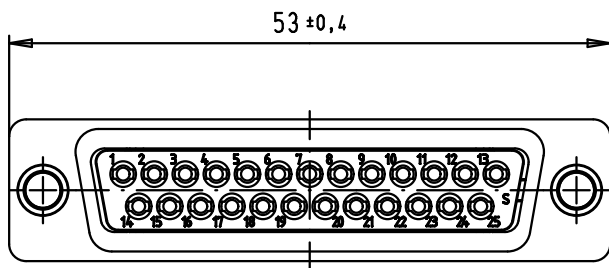
3



2

1



Panel cut out



| Mod. | Dot. | Name | Detail. | Dot. | Name |  All Dim. in mm Orig. Size DIN A 4 | D-Sub, female, straight, 25 poles, for crimp contacts, tin plated shell | Maßstab/ Scale |
|-------|----------|------|-------------------------------|----------|------|---|---|-------------------|
| 34784 | 13/02/08 | PK | | 09/04/02 | CV | | | 1,5:1 |
| 33106 | 22/09/05 | JMDR | Insp. | | | | | |
| 31571 | 12/11/03 | SH | Stand. | | | | | |
| 31526 | 31/07/03 | TCP | | | | | | |
| 29768 | 09/04/02 | CV | HARTING EURL F-95972 Paris | | |  | TB 09 67 025 4701 | Blatt/ Page |
| | | | | | | | Sub. | 1 / 2 |