



Single Port 15.4W Power over Ethernet Interchangeable* Wall Plug Adapter



*Plugs sold separately

Features

- DOE Level VI Compliant
- Fully Compliant with IEEE802.3af
- Non-Vented Case
- Field Interchangeable AC Clips*
- Limited Power Source (LPS)
- 1G and 2.5G Data Speed Options
- Low Cost
- Full Protection OCP, OVP
- Diagnostic LEDs
- 1 Year Warranty

Applications

- IP Telephones
- Wireless Network Access Points
- Blue Tooth Access Points
- Security Cameras
- IP Print Servers

Safety Approvals – varies per model

- cUL/UL 62368-1
- IEC 62368-1

Mechanical Characteristics

- Length: 80mm (3.15in)
- Width: 45mm (1.77in)
- Height: 33mm (1.30in)
- Weight: 114g (4.0oz.)

Output Specifications

Model	DC Output Voltage	Load		Output Power	Data Speed	Efficiency	Regulation	
		Min.	Max.				Line	Load
POE16R-1AFG6-R	56V	10mA	0.275A	15.4W	1G	VI and Lot 7	+1V/-2V	
POE16R-1AFG6-2-R	56V	10mA	0.275A	15.4W	2.5G	VI and Lot 7	+1V/-2V	

INPUT:

AC Input Voltage Range
90 to 264VAC

AC Input Voltage Rating
100 to 240VAC

AC Input Current
0.55A (RMS) max for 90VAC
0.35A (RMS) max for 240VAC

Leakage Current
0.5mA max @ 254VAC/50Hz

AC Input Frequency
47-63Hz

AC Inrush Current
30A (RMS) max for 115VAC
60A (RMS) max for 230VAC

OUTPUT:

Total Output Power
15.4W

Ripple and Regulation²
200mV max, 115VAC/60Hz and
230VAC/50Hz

Efficiency³
DOE Level VI
ErP Lot 7/Ecodesign (EU) 2019/1782

Transient O/P Voltage Protection
60V max at switch on/off, any AC line
phase

ENVIRONMENTAL:

Temperature

Operation	-20 to +45°C
Non-operation	-20 to +75°C
Humidity	5 to 90%

EMC

Complies with FCC Part 15 Class B
Complies with EN55032 Class B

Immunity

Harmonic:	EN61000-3-2 Class A
ESD:	EN61000-4-2. Contact 6KV Air 8KV. Criteria B
RS:	EN61000-4-3. 3V/M
EFT:	EN61000-4-4. 1KV input 0.5KV output
Surge:	EN61000-4-5. L-N 1KV L-G 2KV
CS:	EN61000-4-6. 3V
Voltage Dips	EN61000-4-11 Class 3

Dielectric withstand (HI-POT)

4242VDC for 1 sec, 10mA, 4 sec ramp time

Insulation Resistance

Primary to Secondary: >10M OHM 500VDC

FEATURES:

Over Current Protection
≤450mA

Over Voltage Protection
< 120VDC – Latching.

Short Circuit Protection
300-450mA for 50-75ms

Hold-up Time
16mS min. 120VAC/60Hz and max load

Notes:

1. The characteristics defined are at ambient temperature of 25°C unless otherwise specified
2. Measured with by-pass capacitors 0.1uf/10uf at output connector terminal and oscilloscope set at 20Mhz (tested by oscilloscope).
20 minutes warm-up required when operating at negative temperature.
3. Efficiency is measured after 30 minutes burn-in

LED Indicators

Bicolor LED GREEN/YELLOW

Blinking GREEN – Unit is “ON” Active with
No Load

Solid GREEN – Unit has detected a Valid
IEEE802.3af Load

Blinking YELLOW/GREEN – Unit has
detected an Invalid Load

Blinking YELLOW – Unit is in Over
Load/Short Condition

Data in/Output Connector

RJ45

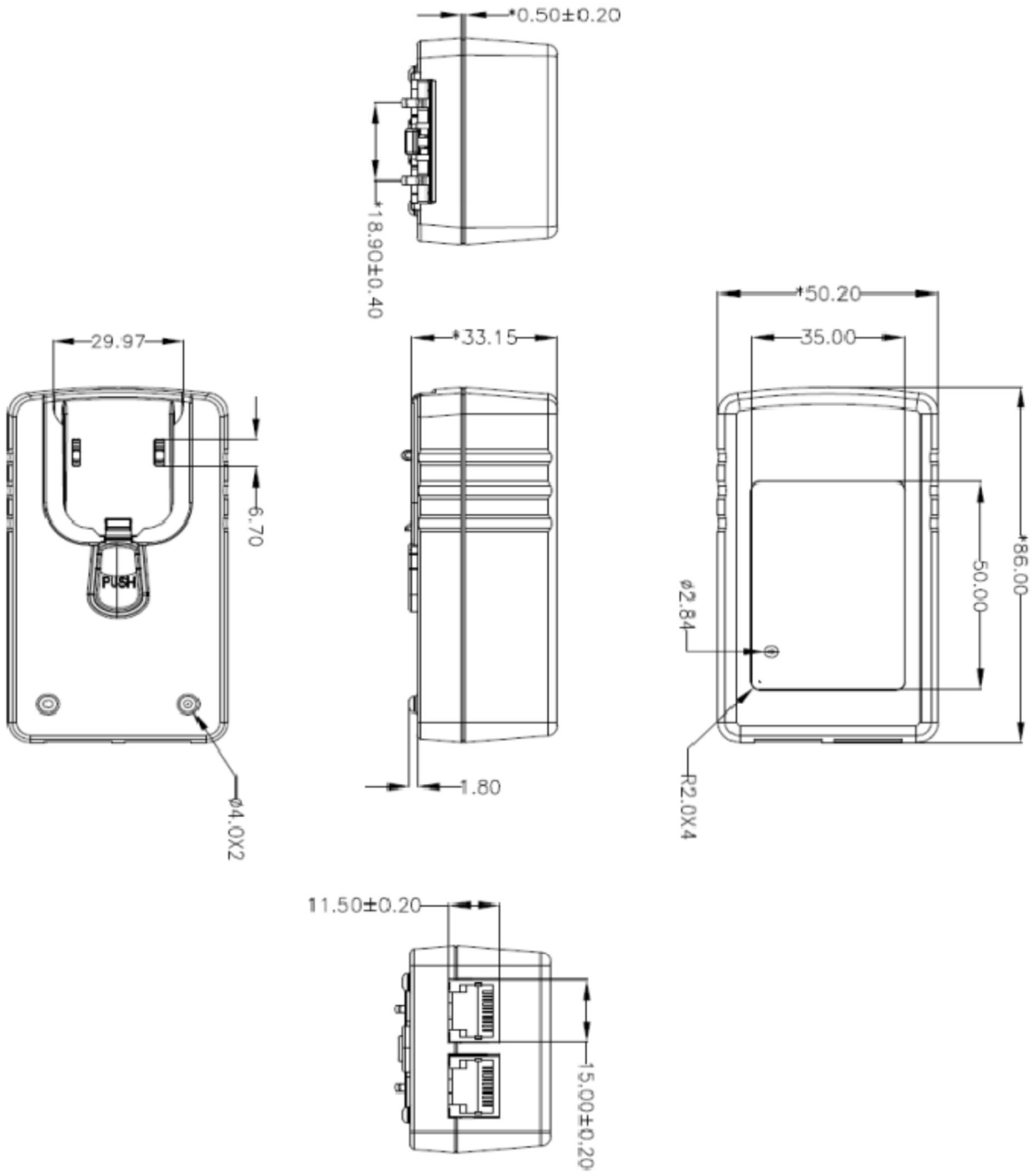
Output Connection

+pin 3,6 / -pins 1,2

Warranty

1 Year

Dimensional Diagram Unit: mm



Supplier's Declaration of Conformity
47 CFR § 2.1077 Compliance Information

Phihong USA Corporation
47800 Fremont Boulevard
Fremont, CA 94538
Telephone: (510) 445-0100
www.phihong.com

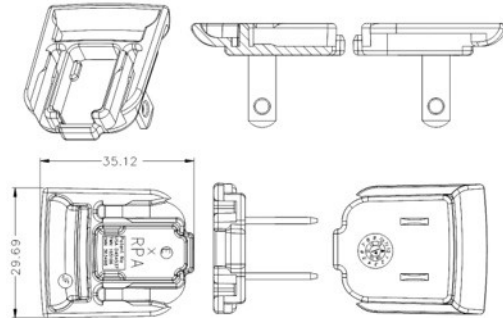
NOTE: This model has/The models in this product series have been tested and found to comply with the limits for a Class B digital device, pursuant to part 15 of the FCC Rules. These limits are designed to provide reasonable protection against harmful interference in a residential installation. This equipment generates, uses and can radiate radio frequency energy and, if not installed and used in accordance with the instructions, may cause harmful interference to radio communications. However, there is no guarantee that interference will not occur in a particular installation. If this equipment does cause harmful interference to radio or television reception, which can be determined by turning the equipment off and on, the user is encouraged to try to correct the interference by one or more of the following measures:

- Reorient or relocate the receiving antenna.
- Increase the separation between the equipment and receiver.
- Connect the equipment into an outlet on a circuit different from that to which the receiver is connected.
- Consult the dealer or an experienced radio/TV technician for help.

Changes or modifications to equipment not expressly approved by PHIHONG could void the user's authority to operate the equipment.

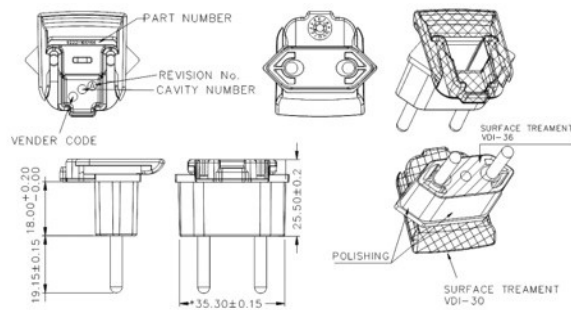
RPA-R – US Clip

Dimension Drawing Unit: mm



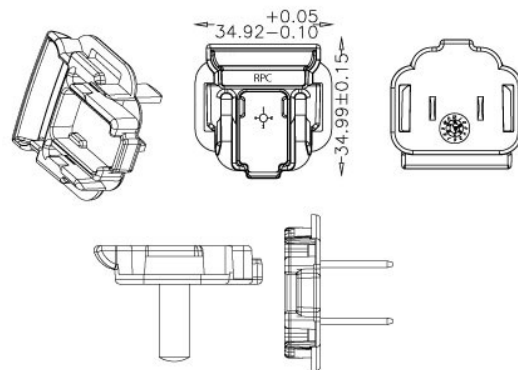
RPB-R – Brazil Clip

Dimension Drawing Unit: mm



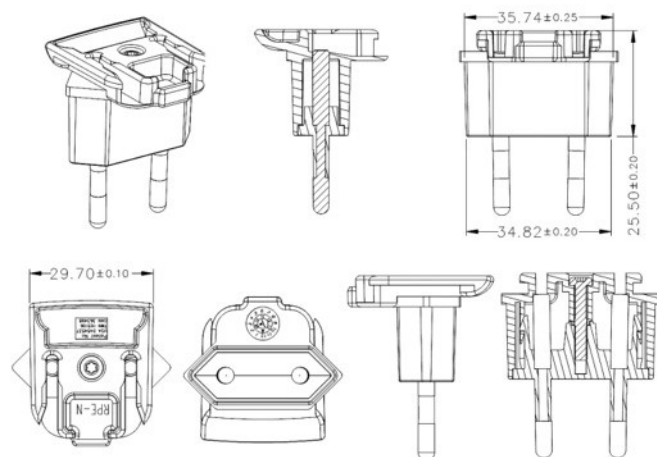
RPC-R – China Clip

Dimension Drawing Unit: mm



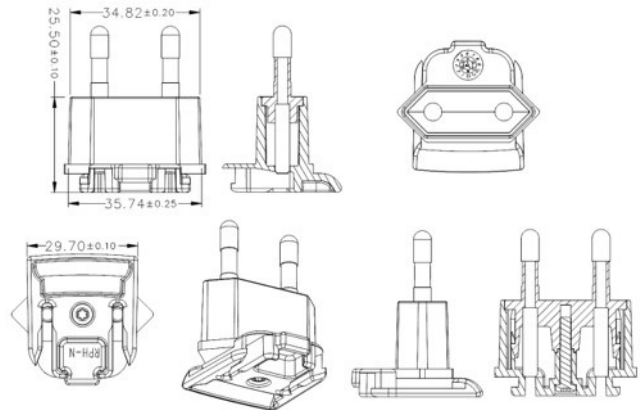
RPE-N-R – Europe Clip

Dimension Drawing Unit: mm



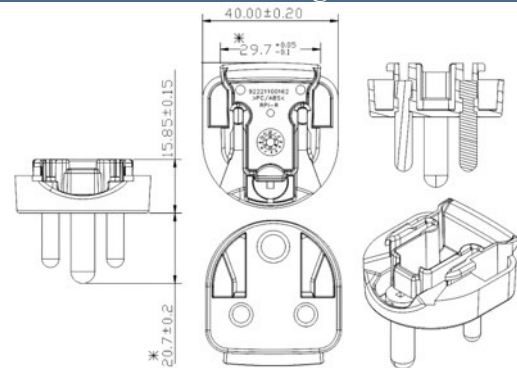
RPH-R – Korea Clip

Dimension Drawing Unit: mm



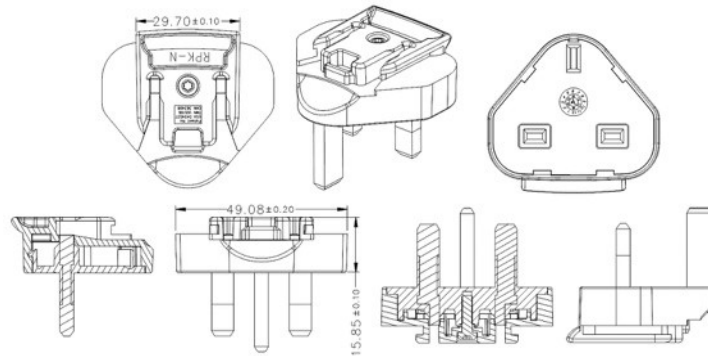
RPI-R – India Clip

Dimension Drawing Unit: mm



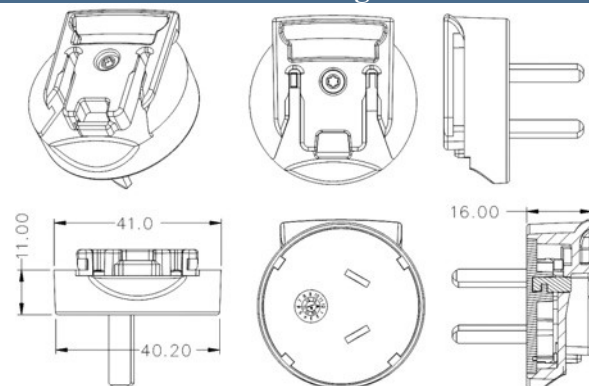
RPK(NC)-R – UK Clip

Dimension Drawing Unit: mm



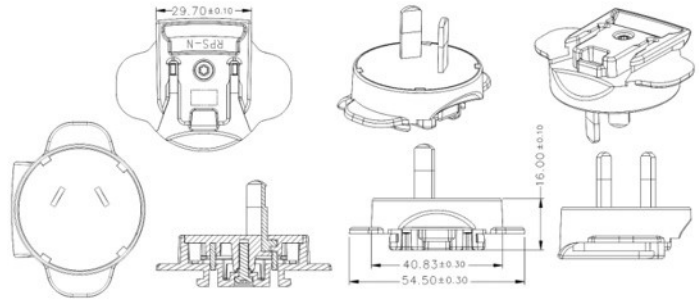
RPN-R – Argentina Clip

Dimension Drawing Unit: mm



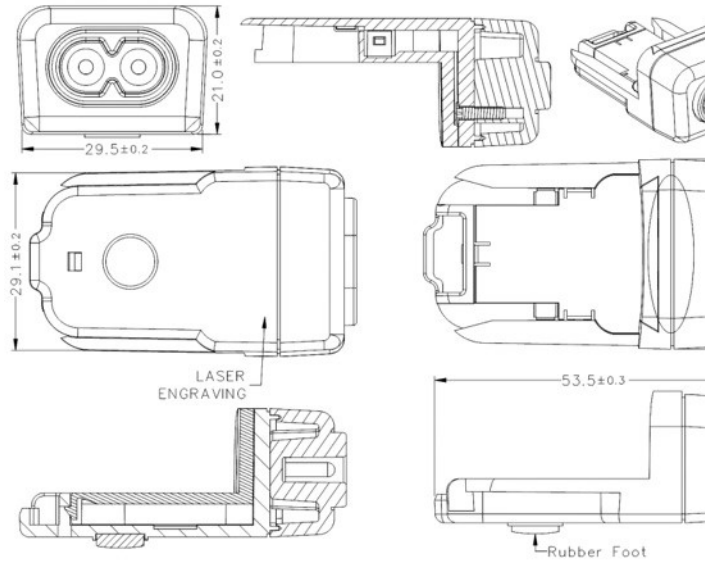
RPS-N-R – Australia Clip

Dimension Drawing Unit: mm



RPX-03-R – C8 Clip

Dimension Drawing Unit: mm



RPBAG(NC)-R

RPBAG(NC)-R

Product package comes with RPA-R, RPE-N-R, RPK(NC)-R and RPS-N-R interchangeable clips in a plastic bag.

