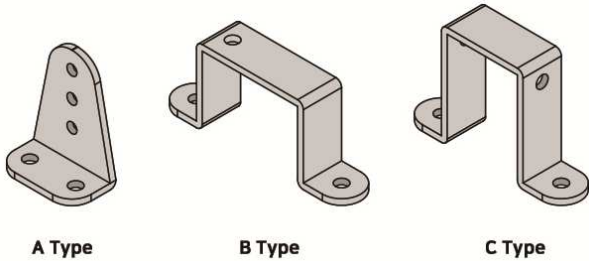


IR-MB03 Metal Bracket (40~96mm Stroke mightyZAP)

- For mounting 40~96mm Stroke mightyZAP actuators onto applications.
- For 26 & 27mm stroke mightyZAP, use IR-MB02 metal bracket.
- Referring to published drawings, user is also able to make this bracket at their end if necessary.
- Material : Aluminum

Composition (IR-MB03 Full Set)



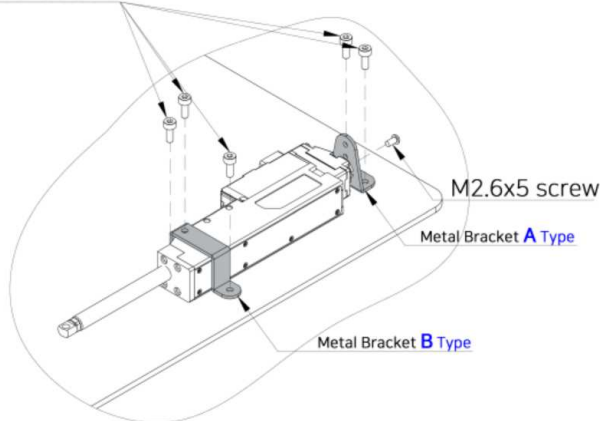
- Bracket Type A – 1EA
- Bracket Type B – 1EA
- Bracket Type C – 1EA
- M3x8 Socket Bolt – 8EA

- Please inquire in case you need to purchase each Type bracket separately.

How to mount

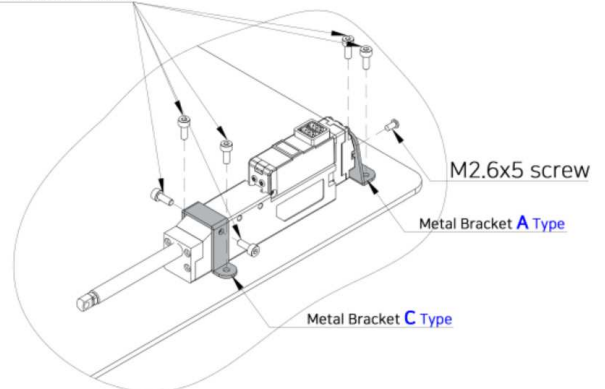
[Lateral Mounting]

M3x8 socket bolt

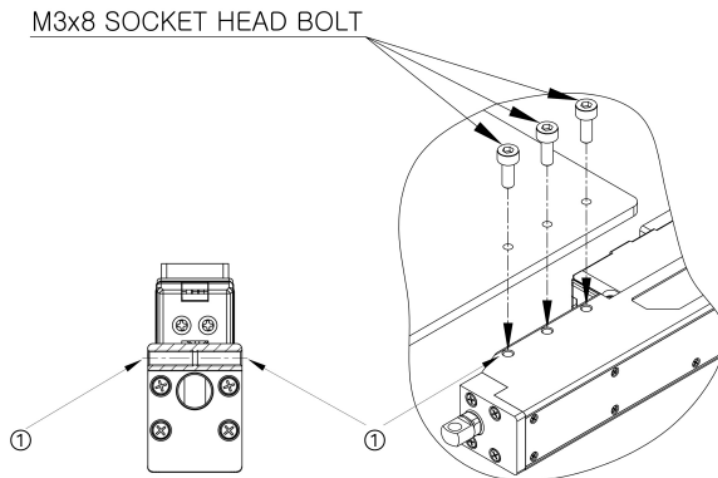


[Vertical Mounting]

M3x8 socket bolt



- It is also possible to install the actuator without bracket by tapping holes on the actuators.



Thank you for your attention.