

FSFR-US Series — Fairchild Power Switch (FPS™) for Half-Bridge Resonant Converters

Features

- Variable Frequency Control with 50% Duty Cycle for Half-Bridge Resonant Converter Topology
- High Efficiency through Zero Voltage Switching (ZVS)
- Internal UniFET™s with Fast-Recovery Type Body Diode
- Fixed Dead Time (350ns) Optimized for MOSFETs
- Up to 300kHz Operating Frequency
- Auto-Restart Operation for All Protections with An External LV_{CC}
- Protection Functions: Over-Voltage Protection (OVP), Over-Current Protection (OCP), Abnormal Over-Current Protection (AOCP), Internal Thermal Shutdown (TSD)

Applications

- PDP and LCD TVs
- Desktop PCs and Servers
- Adapters
- Telecom Power Supplies

Description

The FSFR-US series are a highly integrated power switches designed for high-efficiency half-bridge resonant converters. Offering everything necessary to build a reliable and robust resonant converter, the FSFR-US series simplifies designs and improves productivity, while improving performance. The FSFR-US series combines power MOSFETs with fast-recovery type body diodes, a high-side gate-drive circuit, an accurate current controlled oscillator, frequency limit circuit, soft-start, and built-in protection functions. The high-side gate-drive circuit has a common-mode noise cancellation capability, which guarantees stable operation with excellent noise immunity. The fast-recovery body diode of the MOSFETs improves reliability against abnormal operation conditions, while minimizing the effect of the reverse recovery. Using the zero-voltage-switching (ZVS) technique dramatically reduces the switching losses and efficiency is significantly improved. The ZVS also reduces the switching noise noticeably, which allows a small-sized Electromagnetic Interference (EMI) filter.

The FSFR-US series can be applied to various resonant converter topologies such as series resonant, parallel resonant, and LLC resonant converters.

Related Resources

[AN4151 — Half-bridge LLC Resonant Converter Design using FSFR-Series Fairchild Power Switch \(FPS™\)](#)

Ordering Information

| Part Number | Package | Operating Junction Temperature | R _{DS(ON_MAX)} | Maximum Output Power without Heatsink (V _{IN} =350~400V) ^(1,2) | Maximum Output Power with Heatsink (V _{IN} =350~400V) ^(1,2) |
|-------------|-----------------|--------------------------------|-------------------------|--|---|
| FSFR2100US | 9-SIP | -40 to +130°C | 0.51Ω | 180W | 400W |
| FSFR1800US | | | 0.95Ω | 120W | 260W |
| FSFR1700US | | | 1.25Ω | 100W | 200W |
| FSFR2100USL | 9-SIP L-Forming | | 0.51Ω | 180W | 400W |
| FSFR1800USL | | | 0.95Ω | 120W | 260W |
| FSFR1700USL | | | 1.25Ω | 100W | 200W |

Notes:

1. The junction temperature can limit the maximum output power.
2. Maximum practical continuous power in an open-frame design at 50°C ambient.

Application Circuit Diagram

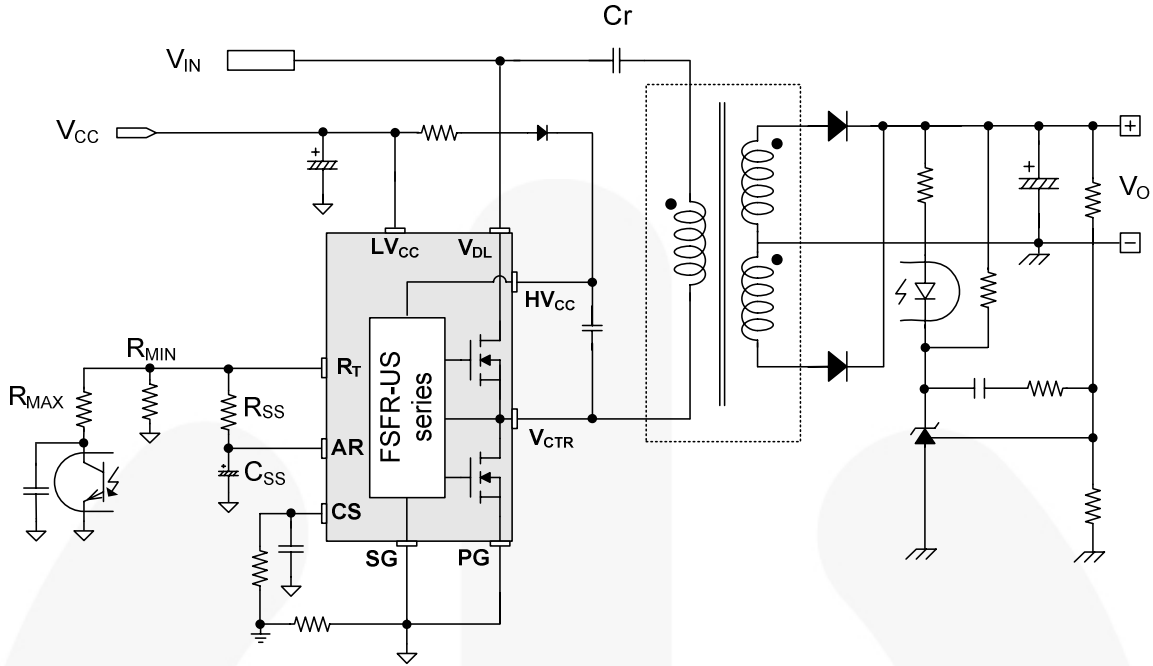


Figure 1. Typical Application Circuit (LLC Resonant Half-Bridge Converter)

Block Diagram

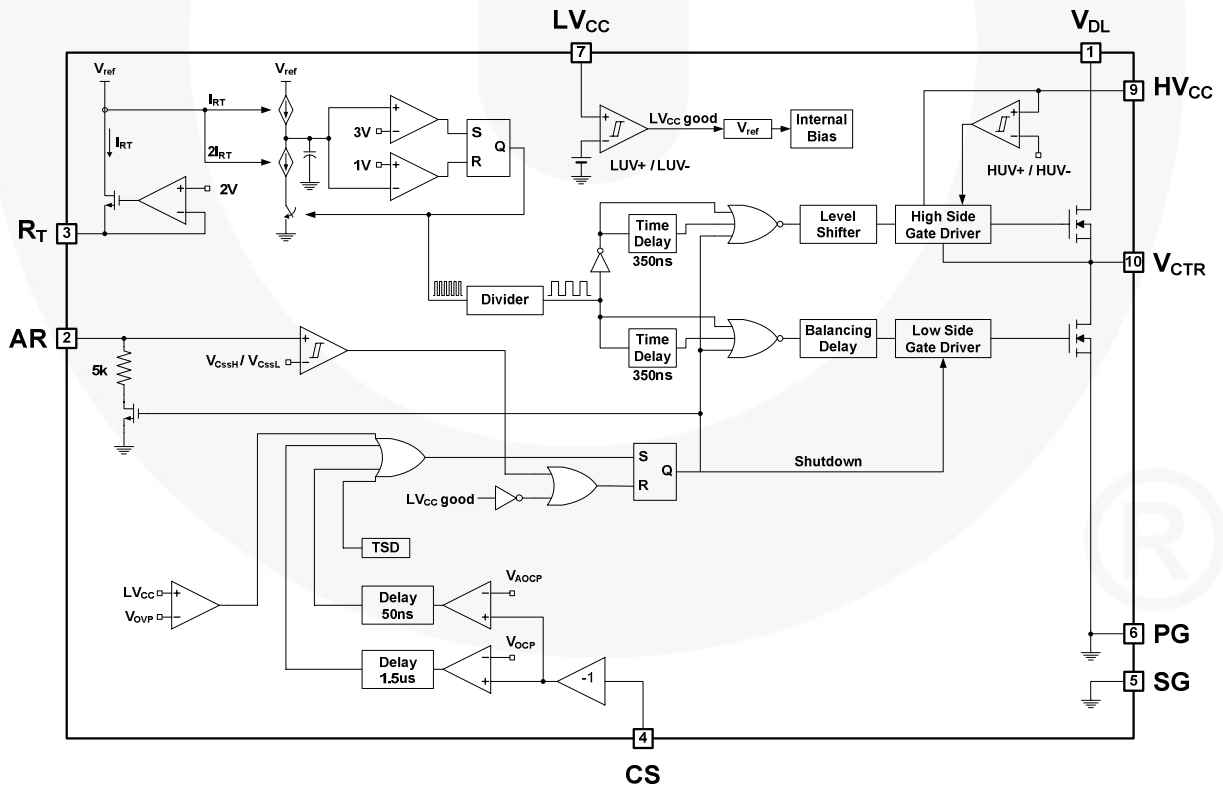


Figure 2. Internal Block Diagram

Pin Configuration

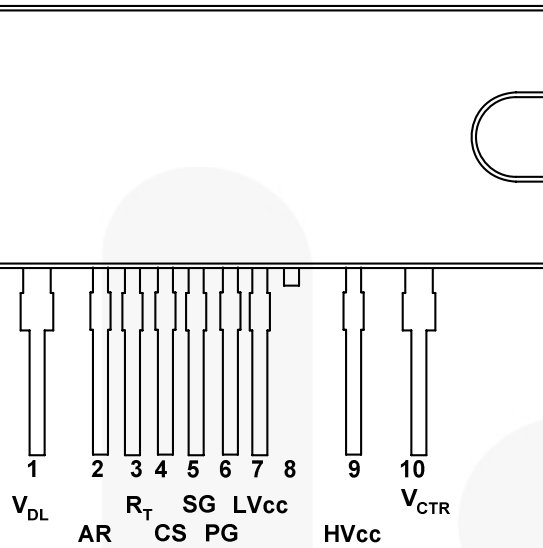


Figure 3. Package Diagram

Pin Definitions

| Pin # | Name | Description |
|-------|-----------|--|
| 1 | V_{DL} | This is the drain of the high-side MOSFET, typically connected to the input DC link voltage. |
| 2 | AR | This pin is for discharging the external soft-start capacitor when any protections are triggered. When the voltage of this pin drops to 0.2, all protections are reset and the controller starts to operate again. |
| 3 | R_T | This pin programs the switching frequency. Typically, an opto-coupler is connected to control the switching frequency for the output voltage regulation. |
| 4 | CS | This pin senses the current flowing through the low-side MOSFET. Typically, negative voltage is applied on this pin. |
| 5 | SG | This pin is the control ground. |
| 6 | PG | This pin is the power ground. This pin is connected to the source of the low-side MOSFET. |
| 7 | LV_{CC} | This pin is the supply voltage of the control IC. |
| 8 | NC | No connection. |
| 9 | HV_{CC} | This is the supply voltage of the high-side gate-drive circuit IC. |
| 10 | V_{CTR} | This is the drain of the low-side MOSFET. Typically, a transformer is connected to this pin. |

Absolute Maximum Ratings

Stresses exceeding the absolute maximum ratings may damage the device. The device may not function or be operable above the recommended operating conditions and stressing the parts to these levels is not recommended. In addition, extended exposure to stresses above the recommended operating conditions may affect device reliability. The absolute maximum ratings are stress ratings only. $T_A=25^{\circ}\text{C}$ unless otherwise specified.

| Symbol | Parameter | Min. | Max. | Unit |
|------------------------|--|--------------|-----------|--------------------|
| V_{DS} | Maximum Drain-to-Source Voltage ($V_{DL}-V_{CTR}$ and $V_{CTR}-PG$) | 500 | | V |
| LV_{CC} | Low-Side Supply Voltage | -0.3 | 25.0 | V |
| HV_{CC} to V_{CTR} | High-Side V_{CC} Pin to Low-Side Drain Voltage | -0.3 | 25.0 | V |
| HV_{CC} | High-Side Floating Supply Voltage | -0.3 | 525.0 | V |
| V_{AR} | Auto-Restart Pin Input Voltage | -0.3 | LV_{CC} | V |
| V_{CS} | Current Sense (CS) Pin Input Voltage | -5.0 | 1.0 | V |
| V_{RT} | R_T Pin Input Voltage | -0.3 | 5.0 | V |
| dV_{CTR}/dt | Allowable Low-Side MOSFET Drain Voltage Slew Rate | | 50 | V/ns |
| P_D | Total Power Dissipation ⁽³⁾ | FSFR2100US/L | 12.0 | W |
| | | FSFR1800US/L | 11.7 | |
| | | FSFR1700US/L | 11.6 | |
| T_J | Maximum Junction Temperature ⁽⁴⁾ | | +150 | $^{\circ}\text{C}$ |
| | Recommended Operating Junction Temperature ⁽⁴⁾ | -40 | +130 | |
| T_{STG} | Storage Temperature Range | -55 | +150 | $^{\circ}\text{C}$ |

Notes:

3. Per MOSFET when both MOSFETs are conducting.
4. The maximum value of the recommended operating junction temperature is limited by thermal shutdown.

Absolute Maximum Ratings (Continued)

| Symbol | Parameter | | Min. | Max. | Unit |
|------------------------|---|--------------|-----------------------|------|--------|
| MOSFET Section | | | | | |
| V _{DGR} | Drain Gate Voltage (R _{GS} =1MΩ) | | 500 | | V |
| V _{GS} | Gate Source (GND) Voltage | | | ±30 | V |
| I _{DM} | Drain Current Pulsed ⁽⁵⁾ | FSFR2100US/L | | 32 | A |
| | | FSFR1800US/L | | 23 | |
| | | FSFR1700US/L | | 20 | |
| I _D | Continuous Drain Current | FSFR2100US/L | T _C =25°C | 10.5 | A |
| | | | T _C =100°C | 6.5 | |
| | | FSFR1800US/L | T _C =25°C | 7.0 | |
| | | | T _C =100°C | 4.5 | |
| | | FSFR1700US/L | T _C =25°C | 6.0 | |
| | | | T _C =100°C | 3.9 | |
| Package Section | | | | | |
| Torque | Recommended Screw Torque | | 5~7 | | kgf·cm |

Notes:

5. Pulse width is limited by maximum junction temperature.

Thermal Impedance

T_A=25°C unless otherwise specified.

| Symbol | Parameter | | Value | Unit |
|-----------------|--|--------------|-------|------|
| θ _{JC} | Junction-to-Case Center Thermal Impedance (Both MOSFETs Conducting) | FSFR2100US/L | 10.44 | °C/W |
| | | FSFR1800US/L | 10.68 | |
| | | FSFR1700US/L | 10.79 | |

Electrical Characteristics

T_A=25°C unless otherwise specified.

| Symbol | Parameter | Test Conditions | Specifications | | | Unit |
|-----------------------|---|--|----------------|------|------|------|
| | | | Min. | Typ. | Max. | |
| MOSFET Section | | | | | | |
| BV _{DSS} | Drain-to-Source Breakdown Voltage | I _D =200μA, T _A =25°C | 500 | | | V |
| | | I _D =200μA, T _A =125°C | | 540 | | |
| R _{DS(ON)} | On-State Resistance | FSFR2100US/L V _{GS} =10V, I _D =6.0A | | 0.41 | 0.51 | Ω |
| | | FSFR1800US/L V _{GS} =10V, I _D =3.0A | | 0.77 | 0.95 | |
| | | FSFR1700US/L V _{GS} =10V, I _D =2.0A | | 1.00 | 1.25 | |
| t _{rr} | Body Diode Reverse Recovery Time ⁽⁶⁾ | FSFR2100US/L V _{GS} =0V, I _{Diode} =12.0A, dI _{Diode} /dt=100A/μs | | 120 | | ns |
| | | FSFR1800US/L V _{GS} =0V, I _{Diode} =7.0A, dI _{Diode} /dt=100A/μs | | 160 | | |
| | | FSFR1700US/L V _{GS} =0V, I _{Diode} =6.0A, dI _{Diode} /dt=100A/μs | | 160 | | |
| Supply Section | | | | | | |
| I _{LK} | Offset Supply Leakage Current | H-V _{CC} =V _{CTR} =500V | | | 50 | μA |
| I _{QHVCC} | Quiescent HV _{CC} Supply Current | (HV _{CC} UV+) - 0.1V | | 50 | 120 | μA |
| I _{QLVCC} | Quiescent LV _{CC} Supply Current | (LV _{CC} UV+) - 0.1V | | 100 | 200 | μA |
| I _{OHVCC} | Operating HV _{CC} Supply Current (RMS Value) | f _{OSC} =100KHz | | 6 | 9 | mA |
| | | No Switching | | 100 | 200 | μA |
| I _{OLVCC} | Operating LV _{CC} Supply Current (RMS Value) | f _{OSC} =100KHz | | 7 | 11 | mA |
| | | No Switching | | 2 | 4 | mA |
| UVLO Section | | | | | | |
| LV _{CC} UV+ | LV _{CC} Supply Under-Voltage Positive Going Threshold (LV _{CC} Start) | | 11.2 | 12.5 | 13.8 | V |
| LV _{CC} UV- | LV _{CC} Supply Under-Voltage Negative Going Threshold (LV _{CC} Stop) | | 8.90 | 10.0 | 11.1 | V |
| LV _{CC} UVH | LV _{CC} Supply Under-Voltage Hysteresis | | | 2.50 | | V |
| HV _{CC} UV+ | HV _{CC} Supply Under-Voltage Positive Going Threshold (HV _{CC} Start) | | 8.2 | 9.2 | 10.2 | V |
| HV _{CC} UV- | HV _{CC} Supply Under-Voltage Negative Going Threshold (HV _{CC} Stop) | | 7.8 | 8.7 | 9.6 | V |
| HV _{CC} UVH | HV _{CC} Supply Under-Voltage Hysteresis | | | 0.5 | | V |

Electrical Characteristics (Continued)

 $T_A=25^{\circ}\text{C}$ unless otherwise specified.

| Symbol | Parameter | Test Conditions | Specifications | | | Unit |
|--|--|---|----------------|-------|-------|--------------------|
| | | | Min | Typ | Max | |
| Oscillator & Feedback Section | | | | | | |
| V_{RT} | V-I Converter Threshold Voltage | $R_T=5.2\text{K}\Omega$ | 1.5 | 2.0 | 2.5 | V |
| f_{OSC} | Output Oscillation Frequency | | 94 | 100 | 106 | KHz |
| DC | Output Duty Cycle | | 48 | 50 | 52 | % |
| f_{SS} | Internal Soft-Start Initial Frequency | $f_{SS}=f_{OSC}+40\text{kHz}$, $R_T=5.2\text{K}\Omega$ | | 140 | | KHz |
| t_{SS} | Internal Soft-Start Time | | 2 | 3 | 4 | ms |
| Protection Section | | | | | | |
| $V_{C_{SS}H}$ | Beginning Voltage to Discharge C_{SS} | | 0.9 | 1.0 | 1.1 | V |
| $V_{C_{SS}L}$ | Beginning Voltage to Charge C_{SS} and Restart | | 0.16 | 0.20 | 0.24 | V |
| V_{OVP} | LV _{CC} Over-Voltage Protection | $L-V_{CC} > 21\text{V}$ | 21 | 23 | 25 | V |
| V_{AOCP} | AOCP Threshold Voltage | $\Delta V/\Delta t=-0.1\text{V}/\mu\text{s}$ | -1.0 | -0.9 | -0.8 | V |
| t_{BAO} | AOCP Blanking Time ⁽⁶⁾ | $V_{CS} < V_{AOCP}$; $\Delta V/\Delta t=-0.1\text{V}/\mu\text{s}$ | | 50 | | ns |
| V_{OCP} | OCP Threshold Voltage | $V/\Delta t=-1\text{V}/\mu\text{s}$ | -0.64 | -0.58 | -0.52 | V |
| t_{BO} | OCP Blanking Time ⁽⁶⁾ | $V_{CS} < V_{OCP}$; $\Delta V/\Delta t=-1\text{V}/\mu\text{s}$ | 1.0 | 1.5 | 2.0 | μs |
| t_{DA} | Delay Time (Low Side) Detecting from V_{AOCP} to Switch Off ⁽⁶⁾ | $\Delta V/\Delta t=-1\text{V}/\mu\text{s}$ | | 250 | 400 | ns |
| T_{SD} | Thermal Shutdown Temperature ⁽⁶⁾ | | 120 | 135 | 150 | $^{\circ}\text{C}$ |
| Dead-Time Control Section | | | | | | |
| D_T | Dead Time ⁽⁷⁾ | | | 350 | | ns |

Notes:

6. This parameter, although guaranteed, is not tested in production.
7. These parameters, although guaranteed, are tested only in EDS (wafer test) process.

Typical Performance Characteristics

These characteristic graphs are normalized at $T_A=25^\circ\text{C}$.

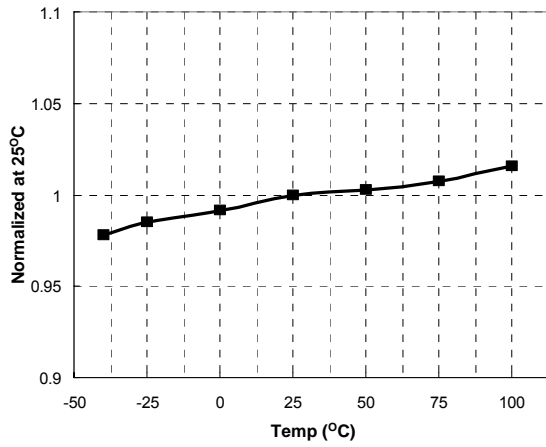


Figure 4. Low-Side MOSFET Duty Cycle vs. Temperature

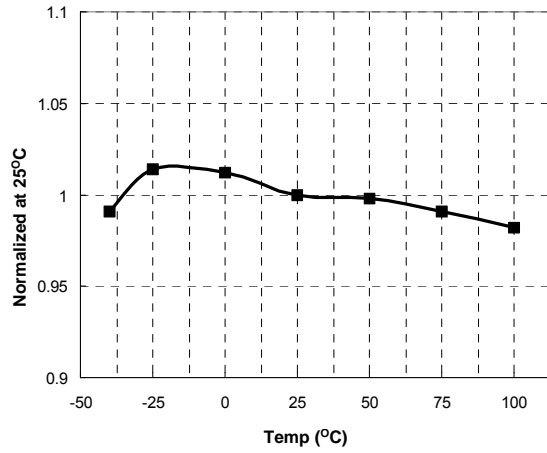


Figure 5. Switching Frequency vs. Temperature

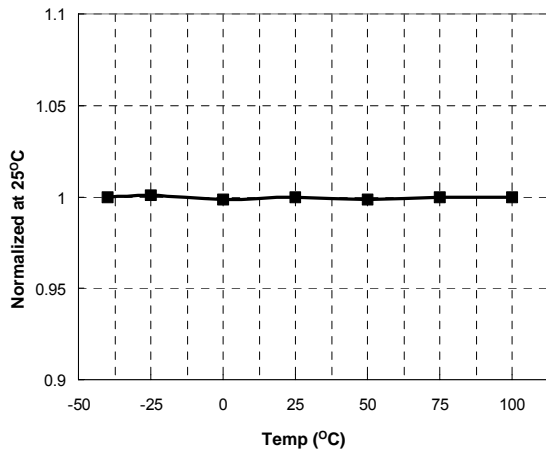


Figure 6. High-Side V_{CC} (HV_{CC}) Start vs. Temperature

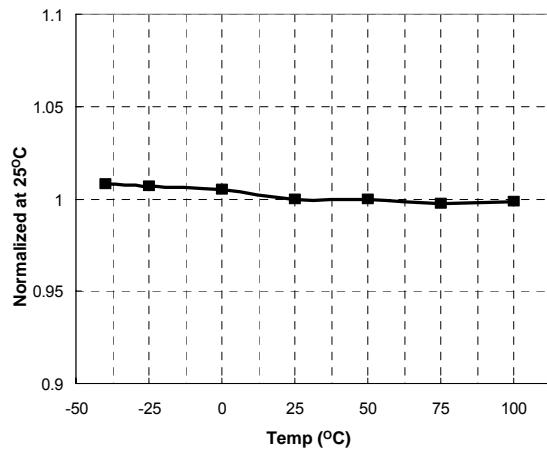


Figure 7. High-Side V_{CC} (HV_{CC}) Stop vs. Temperature

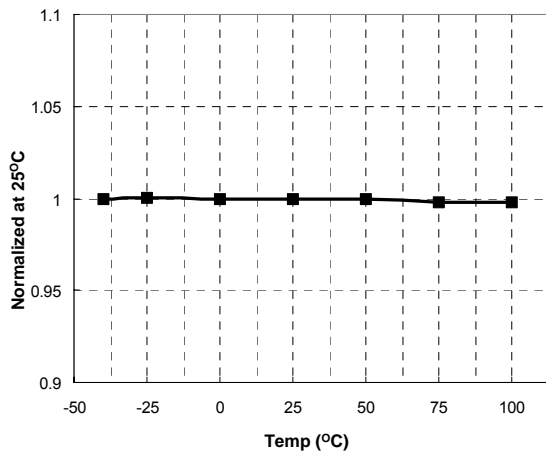


Figure 8. Low-Side V_{CC} (LV_{CC}) Start vs. Temperature

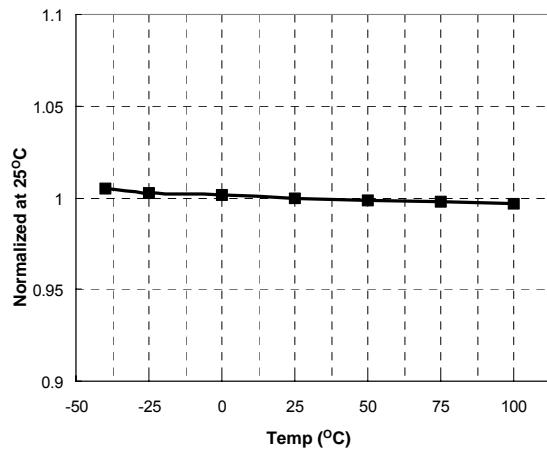


Figure 9. Low-Side V_{CC} (LV_{CC}) Stop vs. Temperature

Typical Performance Characteristics (Continued)

These characteristic graphs are normalized at $T_A=25^\circ\text{C}$.

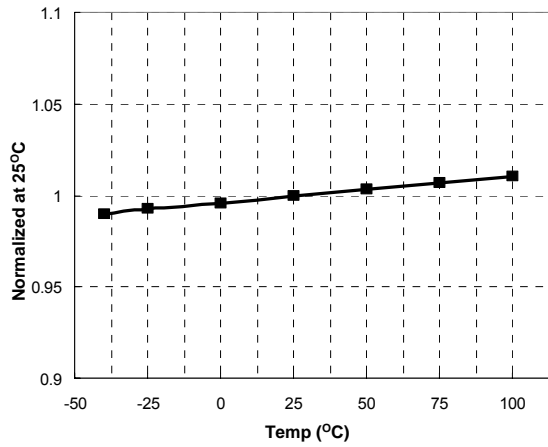


Figure 10. LVCC OVP Voltage vs. Temperature

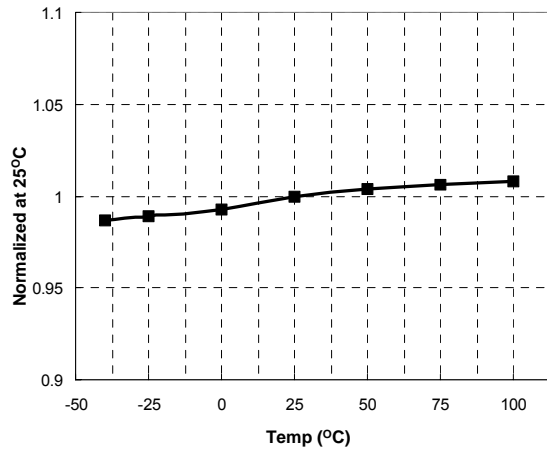


Figure 11. R_T Voltage vs. Temperature

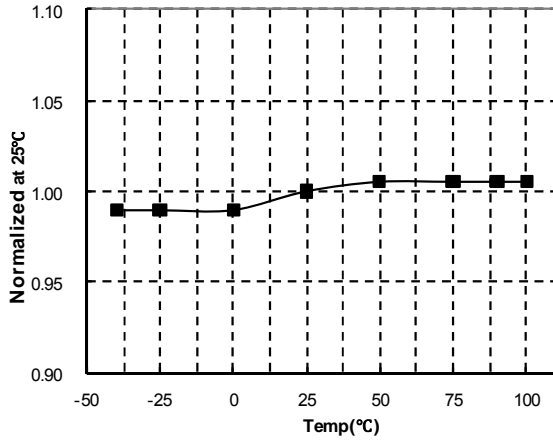


Figure 12. V_{CSsL} vs. Temperature

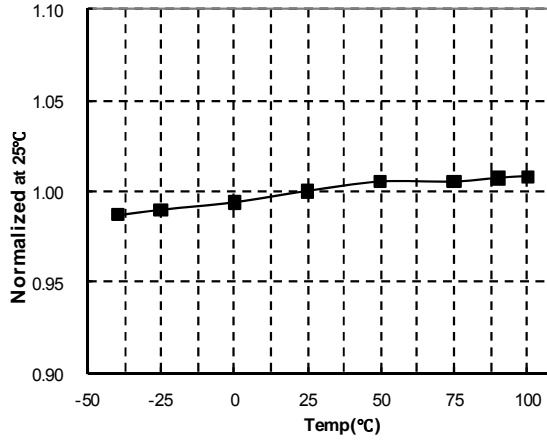


Figure 13. V_{CSsH} vs. Temperature

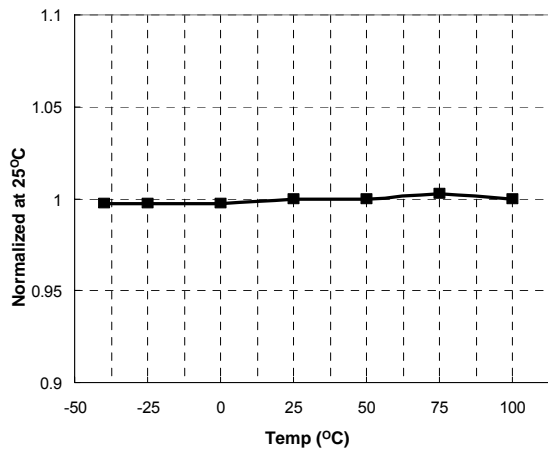


Figure 14. OCP Voltage vs. Temperature

Functional Description

1. Basic Operation: FSFR-US series is designed to drive high-side and low-side MOSFETs complementarily with 50% duty cycle. A fixed dead time of 350ns is introduced between consecutive transitions, as shown in Figure 15.

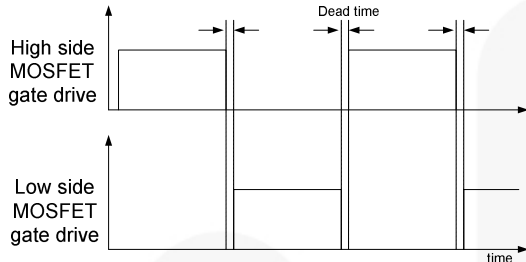


Figure 15. MOSFETs Gate Drive Signal

2. Internal Oscillator: FSFR-US series employs a current-controlled oscillator, as shown in Figure 16. Internally, the voltage of R_T pin is regulated at 2V and the charging / discharging current for the oscillator capacitor, C_T , is obtained by copying the current flowing out of the R_T pin (I_{CTC}) using a current mirror. Therefore, the switching frequency increases as I_{CTC} increases.

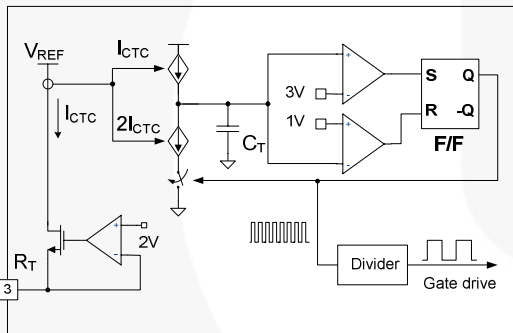


Figure 16. Current Controlled Oscillator

3. Frequency Setting: Figure 17 shows the typical voltage gain curve of a resonant converter, where the gain is inversely proportional to the switching frequency in the ZVS region. The output voltage can be regulated by modulating the switching frequency. Figure 18 shows the typical circuit configuration for the R_T pin, where the opto-coupler transistor is connected to the R_T pin to modulate the switching frequency.

The minimum switching frequency is determined as:

$$f_{min} = \frac{5.2k\Omega}{R_{min}} \times 100(kHz) \quad (1)$$

Assuming the saturation voltage of opto-coupler transistor is 0.2V, the maximum switching frequency is determined as:

$$f_{max} = \left(\frac{5.2k\Omega}{R_{min}} + \frac{4.68k\Omega}{R_{max}} \right) \times 100(kHz) \quad (2)$$

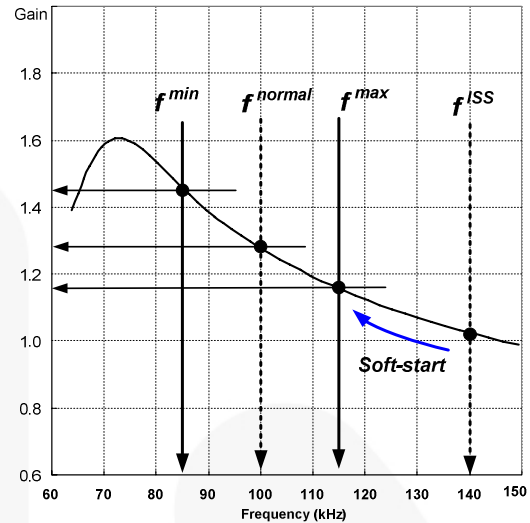


Figure 17. Resonant Converter Typical Gain Curve

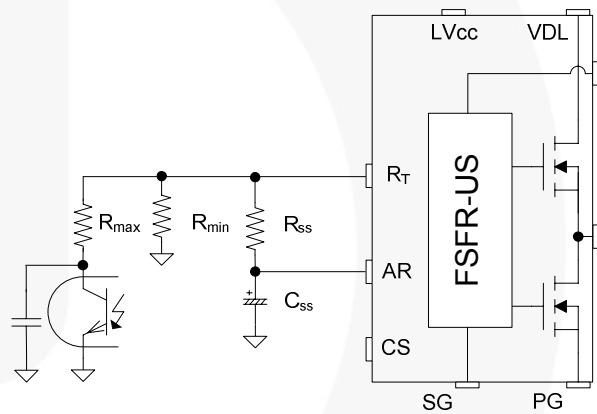


Figure 18. Frequency Control Circuit

To prevent excessive inrush current and overshoot of output voltage during startup, increase the voltage gain of the resonant converter progressively. Since the voltage gain of the resonant converter is inversely proportional to the switching frequency, the soft-start is implemented by sweeping down the switching frequency from an initial high frequency (f^{ISS}) until the output voltage is established. The soft-start circuit is made by connecting R-C series network on the R_T pin, as shown in Figure 18. FSFR-US series also has an internal soft-start for 3ms to reduce the current overshoot during the initial cycles, which adds 40kHz to the initial frequency of the external soft-start circuit, as shown in Figure 19. The initial frequency of the soft-start is given as:

$$f^{ISS} = \left(\frac{5.2k\Omega}{R_{min}} + \frac{5.2k\Omega}{R_{SS}} \right) \times 100 + 40(kHz) \quad (3)$$

It is typical to set the initial frequency of soft-start two to three times the resonant frequency (f_0) of the resonant network.

The soft-start time is three to four times of the RC time constant. The RC time constant is as follows:

$$\tau = R_{SS} \cdot C_{SS} \quad (4)$$

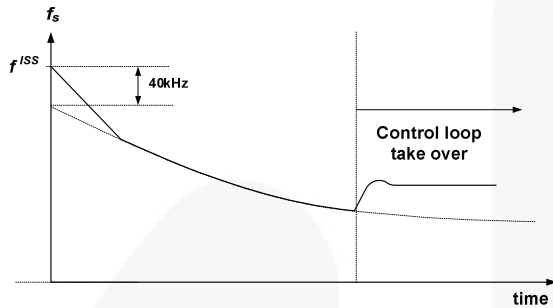


Figure 19. Frequency Sweeping of Soft-Start

4. Self Auto-Restart: The FSFR-US series can restart automatically even though any built-in protections are triggered with external supply voltage. As can be seen in Figure 20 and Figure 21, once any protections are triggered, M1 switch turns on and V-I converter is disabled. C_{SS} starts to be discharged until $V_{C_{SS}}$ across C_{SS} drops to $V_{C_{SSL}}$. Then, all protections are reset, M1 turns off, and V-I converter resumes at the same time. The FSFR-US starts switching again with soft-start. If the protections occur while $V_{C_{SS}}$ is under $V_{C_{SSL}}$ and $V_{C_{SSH}}$ level, the switching is terminated immediately, $V_{C_{SS}}$ continues to increase until reaching $V_{C_{SSH}}$, then C_{SS} is discharged by M1.

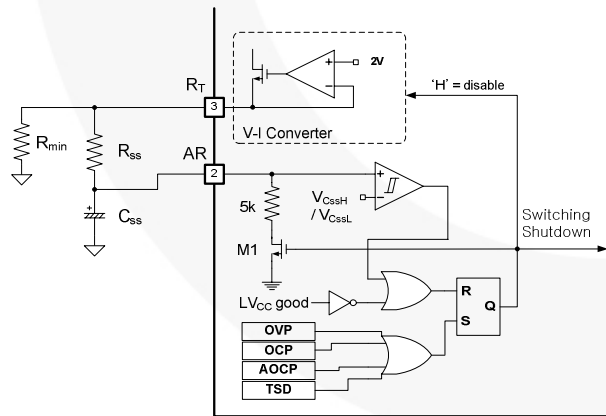


Figure 20. Internal Block of AR Pin

After protections trigger, FSFR-US is disabled during the stop-time, t_{stop} , where $V_{C_{SS}}$ decreases and reaches to $V_{C_{SSL}}$. The stop-time of FSFR-US can be estimated as:

$$t_{STOP} = C_{SS} \cdot \{(R_{SS} = R_{MIN}) \parallel 5k\Omega\} \quad (5)$$

For the soft-start time, $t_{s/s}$ it can be set as Equation (4).

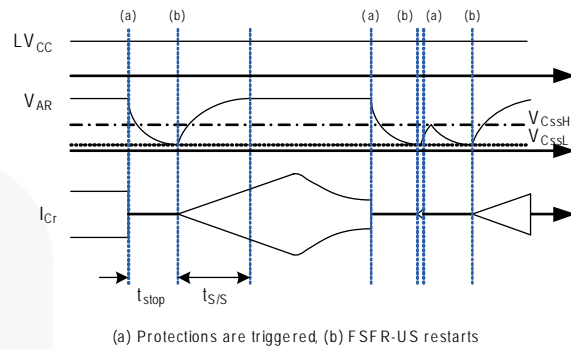


Figure 21. Self Auto-Restart Operation

5. Protection Circuits: The FSFR-US series has several self-protective functions, such as Over-Current Protection (OCP), Abnormal Over-Current Protection (AOC), Over-Voltage Protection (OVP), and Thermal Shutdown (TSD). These protections are auto-restart mode protections as shown in Figure 22.

Once a fault condition is detected, switching is terminated and the MOSFETs remain off. When LV_{CC} falls to the LV_{CC} stop voltage of 10V or AR signal is HIGH, the protection is reset. The FSFR-US resumes normal operation when LV_{CC} reaches the start voltage of 12.5V.

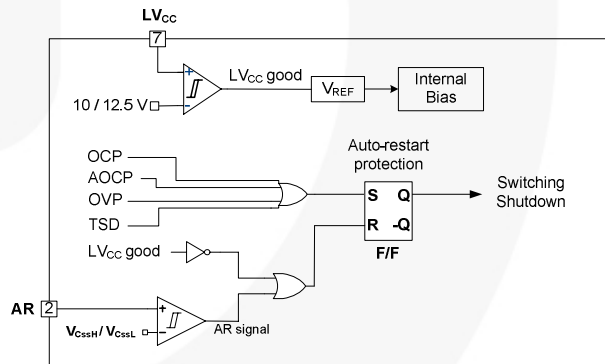


Figure 22. Protection Blocks

5.1 Over-Current Protection (OCP): When the sensing pin voltage drops below -0.58V, OCP is triggered and the MOSFETs remain off. This protection has a shutdown time delay of 1.5 μ s to prevent premature shutdown during startup.

5.2 Abnormal Over-Current Protection (AOC): If the secondary rectifier diodes are shorted, large current with extremely high di/dt can flow through the MOSFET before OCP is triggered. AOC is triggered without shutdown delay when the sensing pin voltage drops below -0.9V.

5.3 Over-Voltage Protection (OVP): When the LV_{CC} reaches 23V, OVP is triggered. This protection is used when auxiliary winding of the transformer to supply V_{CC} to FPS is utilized.

5.4 Thermal Shutdown (TSD): The MOSFETs and the control IC in one package makes it easy for the control IC to detect the abnormal over-temperature of the MOSFETs. If the temperature exceeds approximately 130°C, the thermal shutdown triggers.

6. Current Sensing Using Resistor: FSFR-US series senses drain current as a negative voltage, as shown in Figure 23 and Figure 24. Half-wave sensing allows low power dissipation in the sensing resistor, while full-wave sensing has less switching noise in the sensing signal.

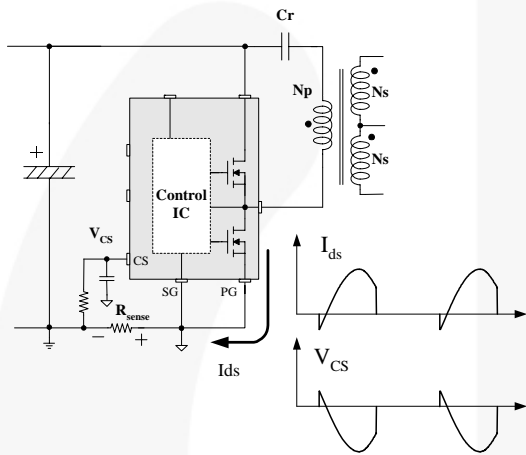


Figure 23. Half-Wave Sensing

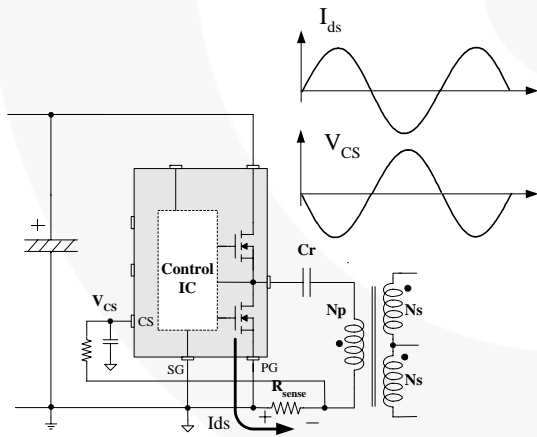


Figure 24. Full-Wave Sensing

7. PCB Layout Guidelines: Duty unbalance problems may occur due to the radiated noise from main transformer, the inequality of the secondary side leakage inductances of main transformer, and so on. Among them, it is one of the dominant reasons that the control components in the vicinity of R_T pin are enclosed by the primary current flows pattern on PCB layout. The direction of the magnetic field on the components caused by the primary current flow is changed when the high-and low-side MOSFET turn on by turns. The magnetic fields with opposite directions induce a current through, into, or out of the R_T pin, which makes the turn-on duration of each MOSFET different. It is strongly recommended to separate the control components in the vicinity of R_T pin from the primary current flow pattern on PCB layout. Figure 25 shows an example for the duty-balanced case.

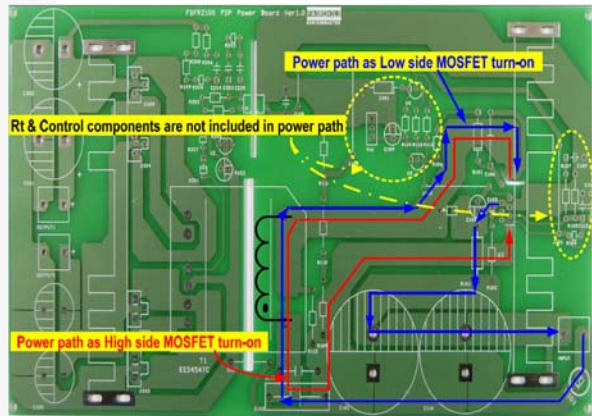
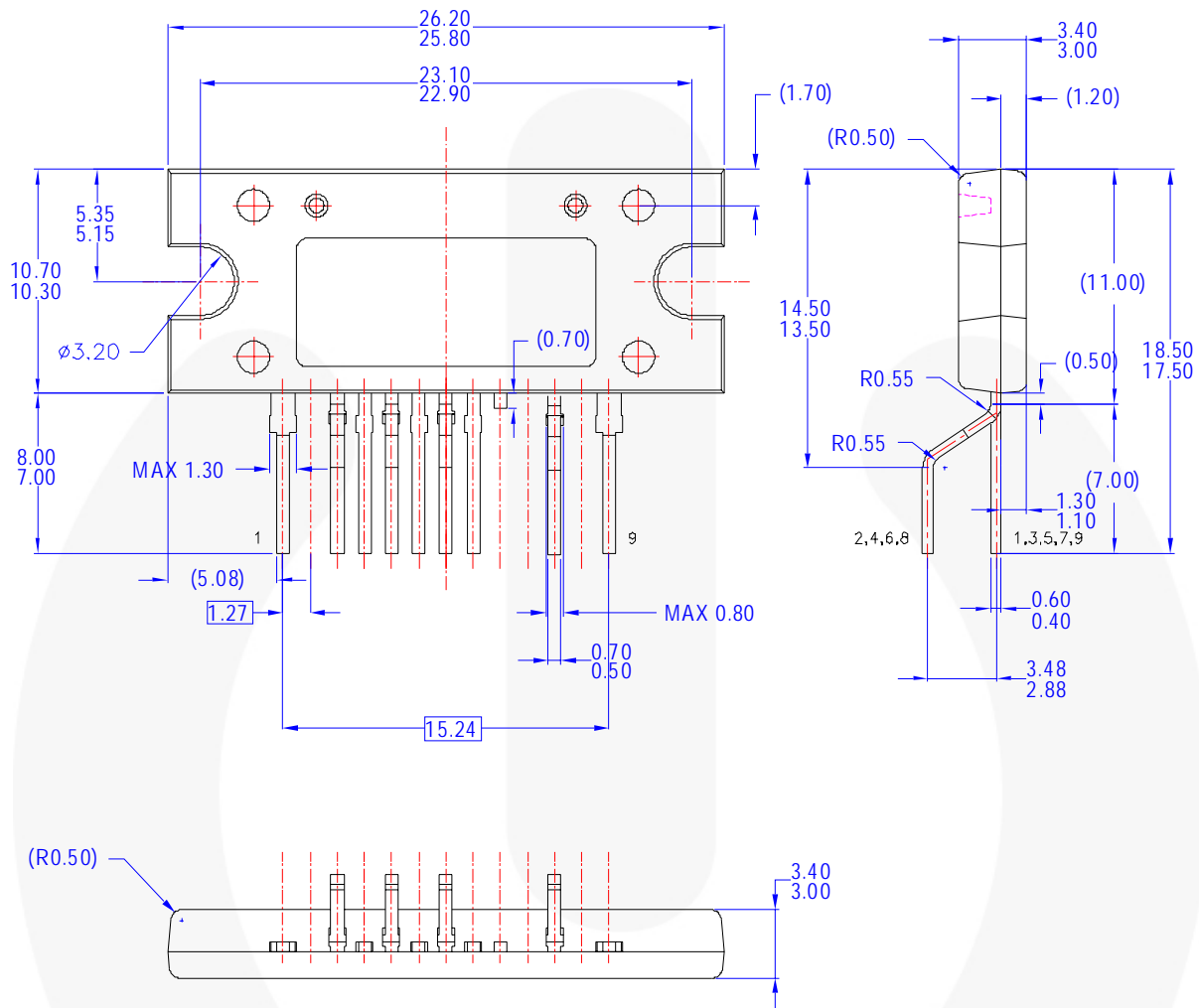


Figure 25. Example for Duty Balancing

Physical Dimensions



NOTES: UNLESS OTHERWISE SPECIFIED
 A) THIS PACKAGE DOES NOT COMPLY TO ANY CURRENT PACKAGING STANDARD.
 B) ALL DIMENSIONS ARE IN MILLIMETERS.
 C) DIMENSIONS ARE EXCLUSIVE OF BURRS, MOLD FLASH, AND TIE BAR EXTRUSIONS.

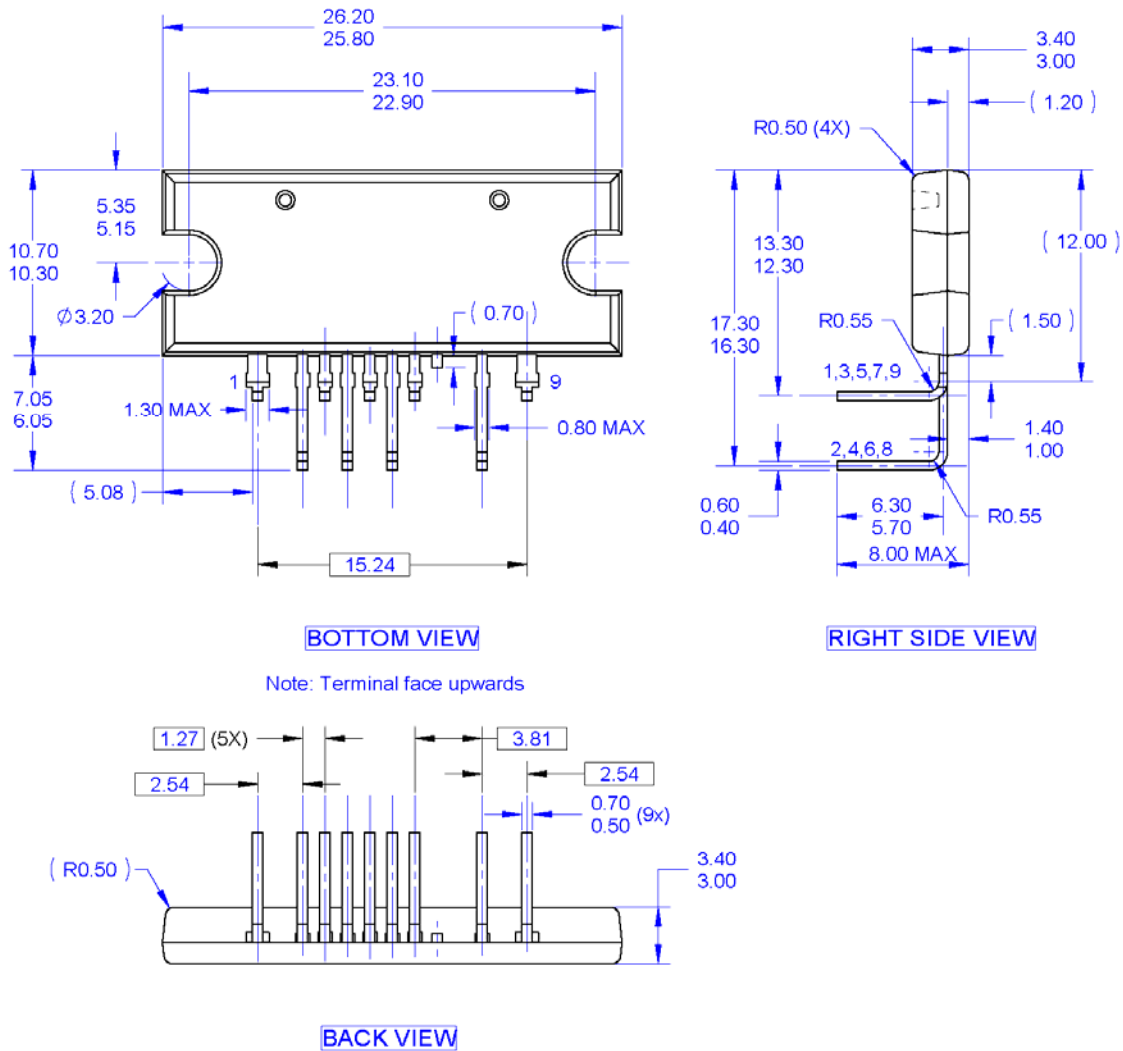
SIPMODAA09revA

Figure 26. 9-SIP Package

Package drawings are provided as a service to customers considering Fairchild components. Drawings may change in any manner without notice. Please note the revision and/or date on the drawing and contact a Fairchild Semiconductor representative to verify or obtain the most recent revision. Package specifications do not expand the terms of Fairchild's worldwide terms and conditions, specifically the warranty therein, which covers Fairchild products.

Always visit Fairchild Semiconductor's online packaging area for the most recent package drawings:
<http://www.fairchildsemi.com/packaging/>.

Physical Dimensions



Note: Terminal face upwards

NOTES: UNLESS OTHERWISE SPECIFIED

- A. THIS PACKAGE DOES NOT COMPLY TO ANY CURRENT PACKAGING STANDARD.
- B. ALL DIMENSIONS ARE IN MILLIMETERS.
- C. DIMENSIONS ARE EXCLUSIVE OF BURRS, MOLD FLASH AND TIE BAR PROTRUSIONS.
- D. DRAWING FILE NAME: MOD09ADREV1.

Figure 27. 9-SIP L-Forming Package

Package drawings are provided as a service to customers considering Fairchild components. Drawings may change in any manner without notice. Please note the revision and/or date on the drawing and contact a Fairchild Semiconductor representative to verify or obtain the most recent revision. Package specifications do not expand the terms of Fairchild's worldwide terms and conditions, specifically the warranty therein, which covers Fairchild products.

Always visit Fairchild Semiconductor's online packaging area for the most recent package drawings:
<http://www.fairchildsemi.com/packaging/>.



TRADEMARKS

The following includes registered and unregistered trademarks and service marks, owned by Fairchild Semiconductor and/or its global subsidiaries, and is not intended to be an exhaustive list of all such trademarks.

- | | | | |
|--------------------------|------------------------|---------------------------------------|---|
| AccuPower™ | F-PFS™ | Power-SPM™ | SYSTEM GENERAL The Power Franchise® the power franchise TinyBoost™ TinyBuck™ TinyCalc™ TinyLogic® TINYOPTO™ TinyPower™ TinyPVM™ TinyWire™ TriFault Detect™ TRUECURRENT™ μSerDes™ SerDes™ UHC® Ultra FRFET™ UniFET™ VCX™ VisualMax™ XST™ |
| Auto-SPM™ | FRFET® | PowerTrench® | |
| Build it Now™ | Global Power Resource™ | PowerXS™ | |
| CorePLUS™ | Green FPS™ | Programmable Active Droop™ | |
| CorePOWER™ | Green FPS™ e-Series™ | QFET® | |
| CROSSVOLT™ | Gmax™ | QS™ | |
| CTL™ | GTO™ | Quiet Series™ | |
| Current Transfer Logic™ | IntelliMAX™ | RapidConfigure™ | |
| DEUXPEED® | ISOPLANAR™ | ™ | |
| Dual Cool™ | MegaBuck™ | Saving our world, 1mW/W/kW at a time™ | |
| EcoSPARK® | MICROCOUPLER™ | SignalWise™ | |
| EfficientMax™ | MicroFET™ | SmartMax™ | |
| ESBC™ | MicroPak™ | SMART START™ | |
| Fairchild® | MicroPak2™ | SPM® | |
| Fairchild Semiconductor® | MillerDrive™ | STEALTH™ | |
| FACT Quiet Series™ | MotionMax™ | SuperFET™ | |
| FACT® | Motion-SPM™ | SuperSOT™-3 | |
| FAST® | OptoHIT™ | SuperSOT™-6 | |
| FastvCore™ | OPTOLOGIC® | SuperSOT™-8 | |
| FETBench™ | OPTOPLANAR® | SupreMOS® | |
| FlashWriter™ | ™ | SyncFET™ | |
| FPS™ | PDP SPM™ | Sync-Lock™ | |

* Trademarks of System General Corporation, used under license by Fairchild Semiconductor.

DISCLAIMER

FAIRCHILD SEMICONDUCTOR RESERVES THE RIGHT TO MAKE CHANGES WITHOUT FURTHER NOTICE TO ANY PRODUCTS HEREIN TO IMPROVE RELIABILITY, FUNCTION, OR DESIGN. FAIRCHILD DOES NOT ASSUME ANY LIABILITY ARISING OUT OF THE APPLICATION OR USE OF ANY PRODUCT OR CIRCUIT DESCRIBED HEREIN; NEITHER DOES IT CONVEY ANY LICENSE UNDER ITS PATENT RIGHTS, NOR THE RIGHTS OF OTHERS. THESE SPECIFICATIONS DO NOT EXPAND THE TERMS OF FAIRCHILD'S WORLDWIDE TERMS AND CONDITIONS, SPECIFICALLY THE WARRANTY THEREIN, WHICH COVERS THESE PRODUCTS.

LIFE SUPPORT POLICY

FAIRCHILD'S PRODUCTS ARE NOT AUTHORIZED FOR USE AS CRITICAL COMPONENTS IN LIFE SUPPORT DEVICES OR SYSTEMS WITHOUT THE EXPRESS WRITTEN APPROVAL OF FAIRCHILD SEMICONDUCTOR CORPORATION.

As used herein:

- Life support devices or systems are devices or systems which, (a) are intended for surgical implant into the body or (b) support or sustain life, and (c) whose failure to perform when properly used in accordance with instructions for use provided in the labeling, can be reasonably expected to result in a significant injury of the user.
- A critical component in any component of a life support, device, or system whose failure to perform can be reasonably expected to cause the failure of the life support device or system, or to affect its safety or effectiveness.

ANTI-COUNTERFEITING POLICY

Fairchild Semiconductor Corporation's Anti-Counterfeiting Policy. Fairchild's Anti-Counterfeiting Policy is also stated on our external website, www.fairchildsemi.com, under Sales Support.

Counterfeiting of semiconductor parts is a growing problem in the industry. All manufacturers of semiconductor products are experiencing counterfeiting of their parts. Customers who inadvertently purchase counterfeit parts experience many problems such as loss of brand reputation, substandard performance, failed applications, and increased cost of production and manufacturing delays. Fairchild is taking strong measures to protect ourselves and our customers from the proliferation of counterfeit parts. Fairchild strongly encourages customers to purchase Fairchild parts either directly from Fairchild or from Authorized Fairchild Distributors who are listed by country on our web page cited above. Products customers buy either from Fairchild directly or from Authorized Fairchild Distributors are genuine parts, have full traceability, meet Fairchild's quality standards for handling and storage and provide access to Fairchild's full range of up-to-date technical and product information. Fairchild and our Authorized Distributors will stand behind all warranties and will appropriately address any warranty issues that may arise. Fairchild will not provide any warranty coverage or other assistance for parts bought from Unauthorized Sources. Fairchild is committed to combat this global problem and encourage our customers to do their part in stopping this practice by buying direct or from authorized distributors.

PRODUCT STATUS DEFINITIONS

Definition of Terms

| Datasheet Identification | Product Status | Definition |
|--------------------------|-----------------------|---|
| Advance Information | Formative / In Design | Datasheet contains the design specifications for product development. Specifications may change in any manner without notice. |
| Preliminary | First Production | Datasheet contains preliminary data; supplementary data will be published at a later date. Fairchild Semiconductor reserves the right to make changes at any time without notice to improve design. |
| No Identification Needed | Full Production | Datasheet contains final specifications. Fairchild Semiconductor reserves the right to make changes at any time without notice to improve the design. |
| Obsolete | Not In Production | Datasheet contains specifications on a product that is discontinued by Fairchild Semiconductor. The datasheet is for reference information only. |

Rev. 149