



# 12 Series Double Contact Bayonet Base Non-Grounded Lampholders



The 12 Series lampholders are constructed with a zinc plated steel shell, with two brass contacts mounted on a phenolic-insulating disc.

## Overview

The 12 Series lampholders are constructed with a zinc plated steel shell, with two brass contacts mounted on a phenolic-insulating disc and two 6" wire leads. The bracket and shell are grounded independent of the contacts. Lampholders are designed for use with double contact candelabra bayonet lamps.

## Specifications

**Shell:** zinc plated steel.

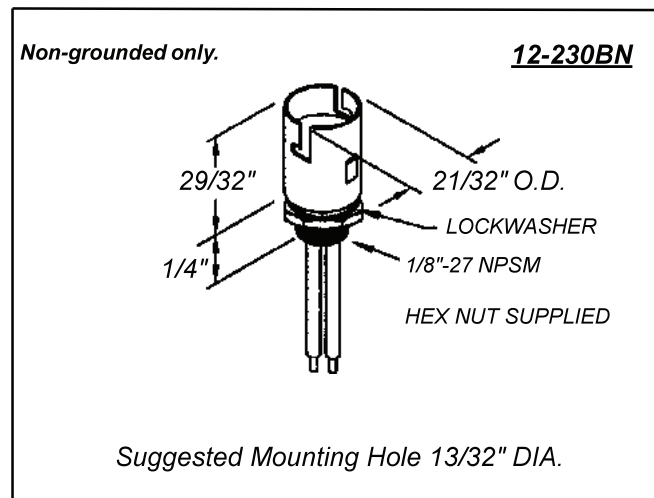
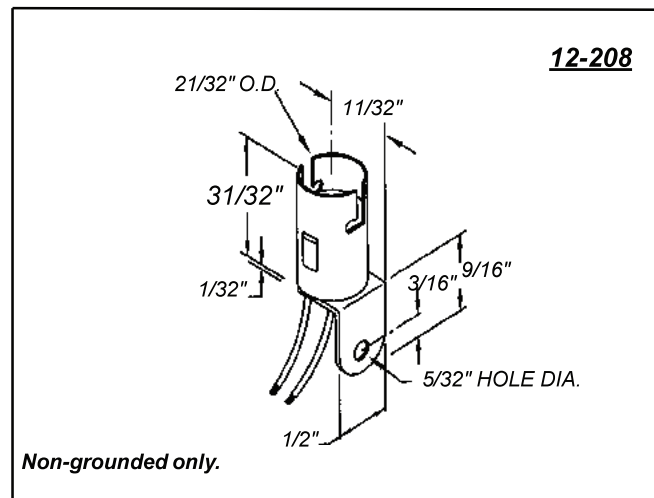
**Center contacts:** nickel plated brass supplied with phenolic insulating disc. A custom ceramic insulating disc is also available.

**Spring:** zinc plated steel. A custom stainless steel spring is also available.

**Wire leads: 6" Leads:** #18 AWG, black, bare copper, PVC insulated, UL/CSA rated 105° C, stripped 1/2". Non-grounded units are supplied with two 6" wire leads. Custom wire lengths, stripping, termination and wire types are also available.

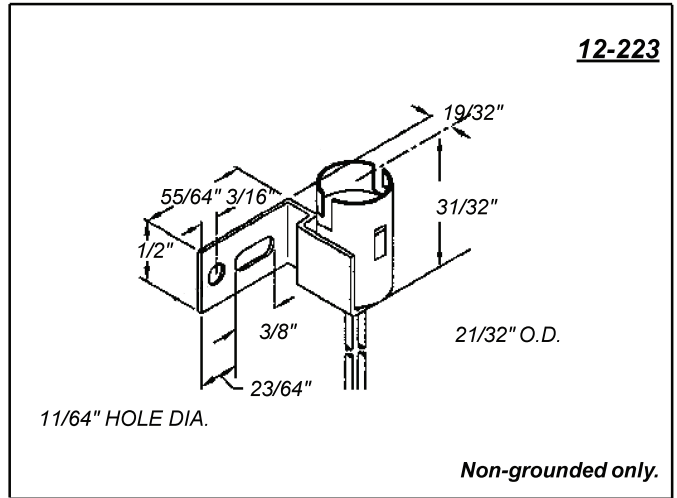
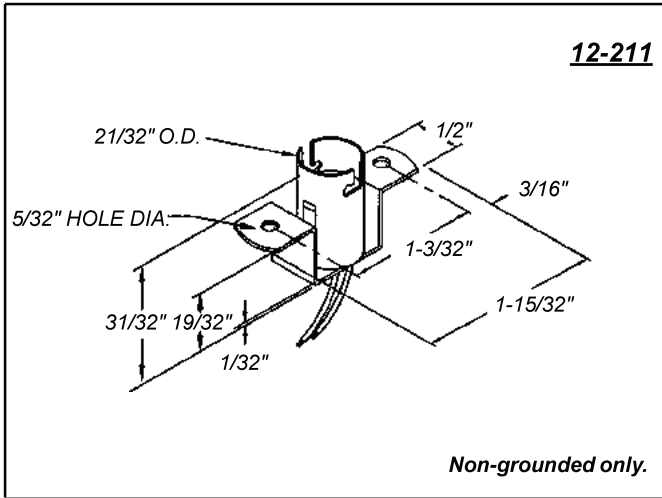
**Mounting: Brackets:** 0.025" to 0.032" zinc plated steel. Custom brackets and plating types are available. **Plug buttons:** zinc plated steel for 15/16" mounting holes. **Threaded bushing:** for 13/32" mounting hole. Supplied with lockwasher and hex nut.

**Maximum rating:** 75 Watts, 125 Volts.



# Ordering Data

**Maximum Rating: 75 Watts, 125 Volts**

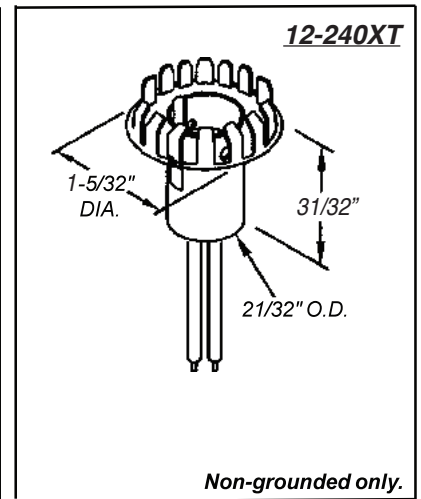
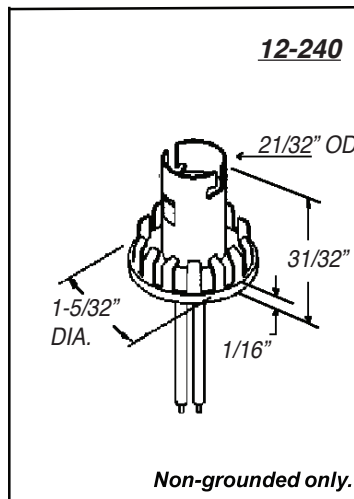
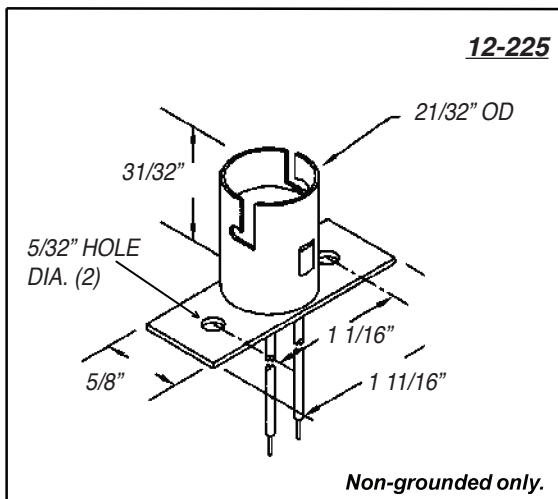


**12-218**  
**12-282**  
*Non-grounded only.*

*Mounting Hole Diagram*

Bracket No.	"A" Dimension
-18	1-13/32"
-82	15/16"

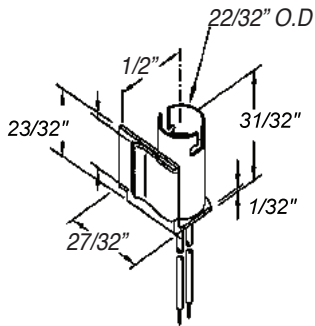
*Maximum Panel Thickness .045"*



Plug buttons: zinc-plated steel, for 15/16" hole with panel thickness range 1/32" to 5/64"

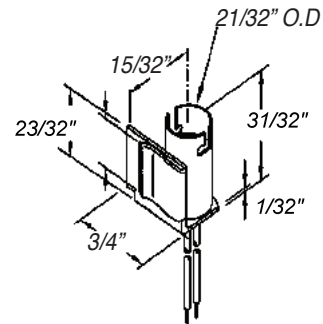
## Product Dimensions

**12-265**



*Non-grounded only.*

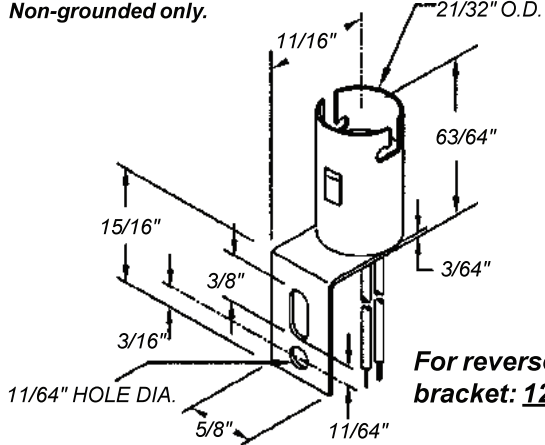
**12-255**



*Non-grounded only.*

*Non-grounded only.*

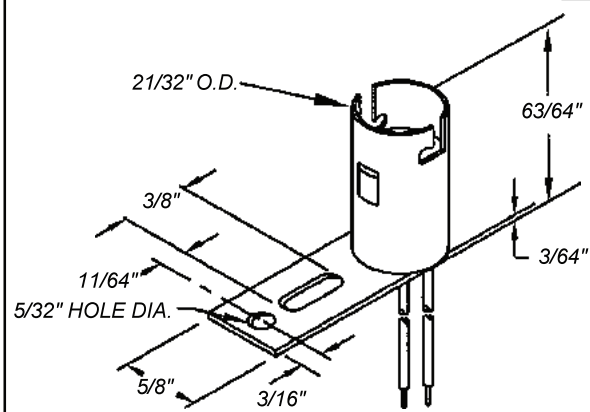
**12-272**



*For reversed bracket: **12-271.***

*Non-grounded only.*

**12-275**



## Compliance & Approvals

