



SD3931-10

RF power transistors HF/VHF/UHF N-channel MOSFETs

Features

- Excellent thermal stability
- Common source configuration
- $P_{OUT} = 175\text{ W}$ min. with 23 dB gain @ 150 MHz
- In compliance with the 2002/95/EC European directive

Description

The SD3931-10 is an N-channel MOS field-effect RF power transistor. It is intended for use in 100 V DC large signal applications up to 150 MHz.

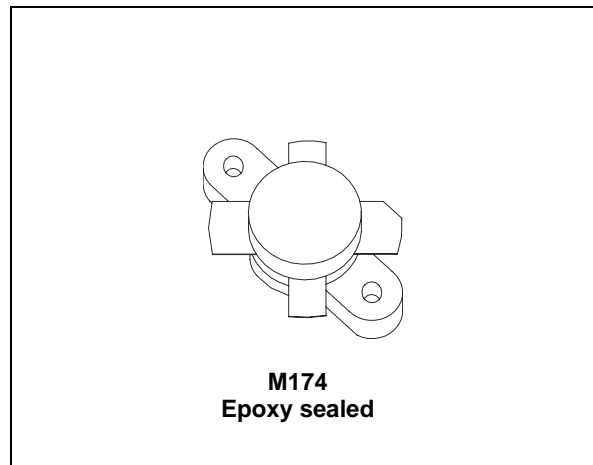


Figure 1. Pin connection

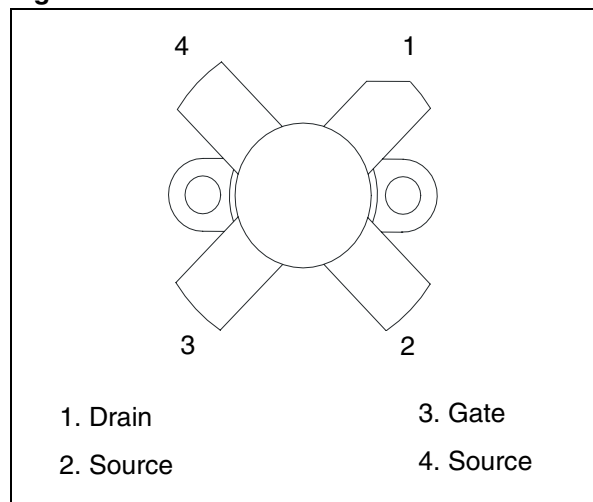


Table 1. Device summary

Order code	Marking	Package	Packaging
SD3931-10	SD3931-10	M174	Plastic tray

Contents

1	Electrical data	3
1.1	Maximum ratings	3
1.2	Thermal data	3
2	Electrical characteristics	4
2.1	Static	4
2.2	Dynamic	4
3	Impedance data	5
4	Typical performance	6
5	Test circuit	8
6	Circuit layout	9
7	Package mechanical data	10
8	Revision history	12

1 Electrical data

1.1 Maximum ratings

Table 2. Absolute maximum ratings ($T_{CASE} = 25^{\circ}C$)

Symbol	Parameter	Value	Unit
$V_{(BR)DSS}^{(1)}$	Drain source voltage	250	V
V_{DGR}	Drain-gate voltage ($R_{GS} = 1M\Omega$)	250	V
V_{GS}	Gate-source voltage	± 20	V
I_D	Drain current	10	A
P_{DISS}	Power dissipation	389	W
T_J	Max. operating junction temperature	200	$^{\circ}C$
T_{STG}	Storage temperature	-65 to +150	$^{\circ}C$

1. $T_J = 150^{\circ}C$

1.2 Thermal data

Table 3. Thermal data

Symbol	Parameter	Value	Unit
R_{thJC}	Junction - case thermal resistance	0.45	$^{\circ}C/W$

2 Electrical characteristics

$T_{CASE} = +25\text{ }^{\circ}\text{C}$

2.1 Static

Table 4. Static (per side)

Symbol	Test conditions		Min	Typ	Max	Unit
$V_{(BR)DSS}^{(1)}$	$V_{GS} = 0\text{ V}$	$I_{DS} = 100\text{ mA}$	250			V
I_{DSS}	$V_{GS} = 0\text{ V}$	$V_{DS} = 100\text{ V}$			1	mA
I_{GSS}	$V_{GS} = 20\text{ V}$	$V_{DS} = 0\text{ V}$			250	nA
$V_{GS(Q)}$	$V_{DS} = 10\text{ V}$	$I_D = 250\text{ mA}$	1.5	2.5	4.0	V
$V_{DS(ON)}$	$V_{GS} = 10\text{ V}$	$I_D = 5\text{ A}$		2.5	3.5	V
G_{FS}	$V_{DS} = 10\text{ V}$	$I_D = 2.5\text{ A}$	2.5			S
C_{ISS}	$V_{GS} = 0\text{ V}$	$V_{DS} = 100\text{ V}$		500		pF
C_{OSS}	$V_{GS} = 0\text{ V}$	$V_{DS} = 100\text{ V}$		134		pF
C_{RSS}	$V_{GS} = 0\text{ V}$	$V_{DS} = 100\text{ V}$		6		pF

1. $T_J = 150^{\circ}\text{C}$

2.2 Dynamic

Table 5. Dynamic

Symbol	Test conditions		Min	Typ	Max	Unit
P_{1dB}	$V_{DD} = 100\text{ V}$	$I_{DQ} = 250\text{ mA}$ $f = 150\text{ MHz}$	175	230		W
G_{PS}	$V_{DD} = 100\text{ V}$	$I_{DQ} = 250\text{ mA}$ $P_{OUT} = 175\text{ W}$ $f = 150\text{ MHz}$	20	21.3		dB
η_D	$V_{DD} = 100\text{ V}$	$I_{DQ} = 250\text{ mA}$ $P_{OUT} = 175\text{ W}$ $f = 150\text{ MHz}$	50	57		%
Load mismatch	$V_{DD} = 100\text{ V}$	$I_{DQ} = 250\text{ mA}$ $P_{OUT} = 150\text{ W}$ $f = 150\text{ MHz}$ All phase angles	3:1			VSWR

3 Impedance data

Figure 2. Impedance data

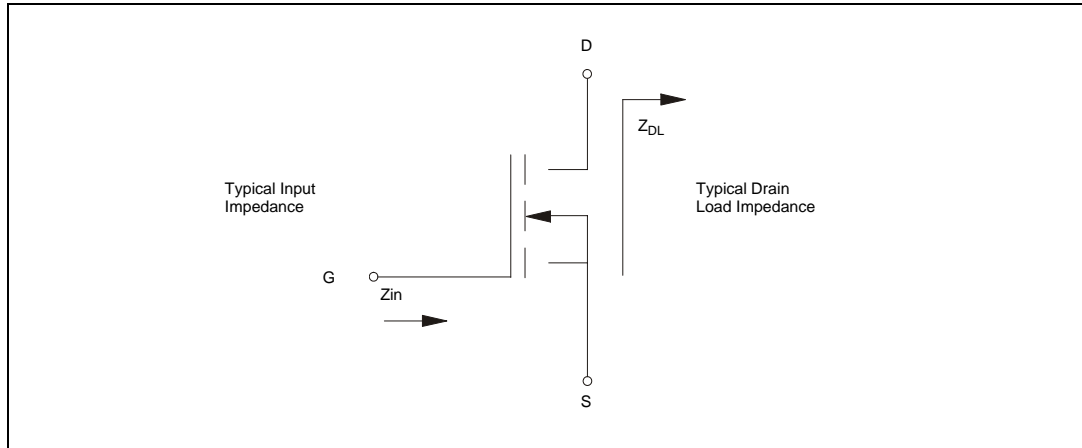


Table 6. Impedance data

Freq	Z_{IN} (Ω)	Z_{DL} (Ω)
150 MHz	$0.42 - j 3.1$	$3.4 + j 5.5$

4 Typical performance

Figure 3. Capacitances vs voltage

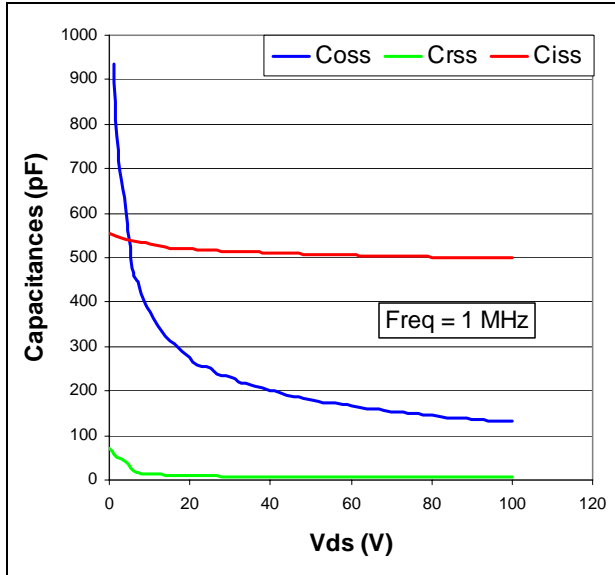


Figure 4. Gain vs output power and bias current

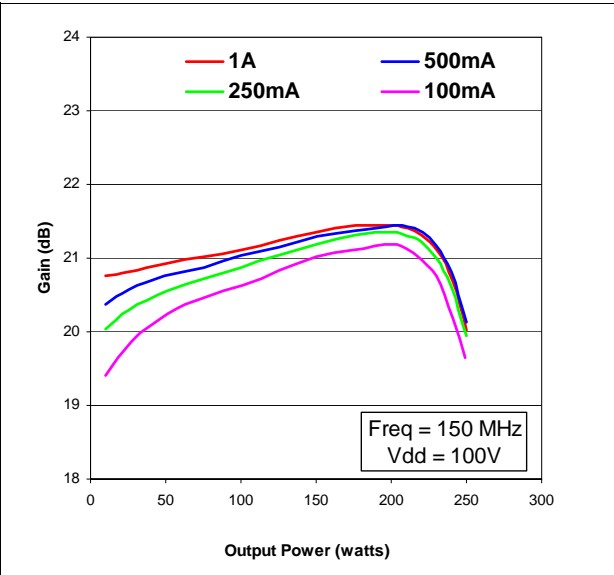


Figure 5. Output power and efficiency vs input power

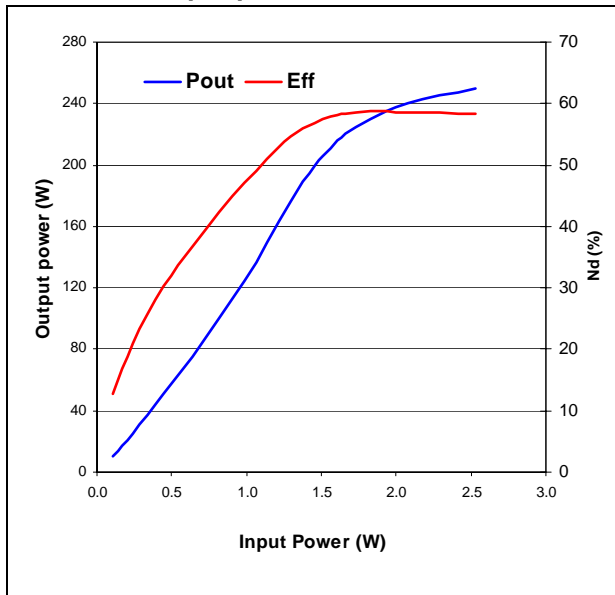


Figure 6. Zero temperature coefficient point

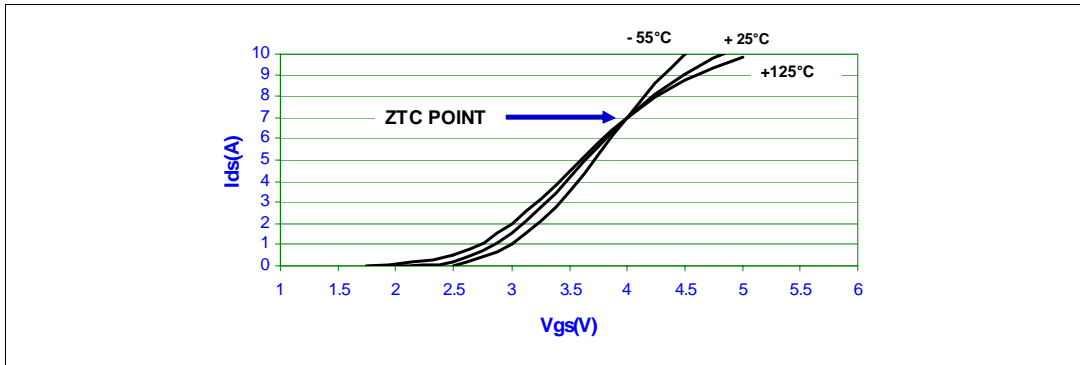


Table 7. V_{gs} sort (@250 mA)

Marking	Min	Max
DD	1.5	1.6
EE	1.6	1.7
FF	1.7	1.8
A	1.8	1.9
B	1.9	2
C	2	2.1
D	2.1	2.2
E	2.2	2.3
F	2.3	2.4
G	2.4	2.5
H	2.5	2.6
I	2.6	2.7
J	2.7	2.8
K	2.8	2.9
L	2.9	3
M	3	3.1
N	3.1	3.2
O	3.2	3.3
P	3.3	3.4
Q	3.4	3.5
R	3.5	3.6
S	3.6	3.7
T	3.7	3.8
U	3.8	3.9
V	3.9	4

5 Test circuit

Figure 7. Test circuit

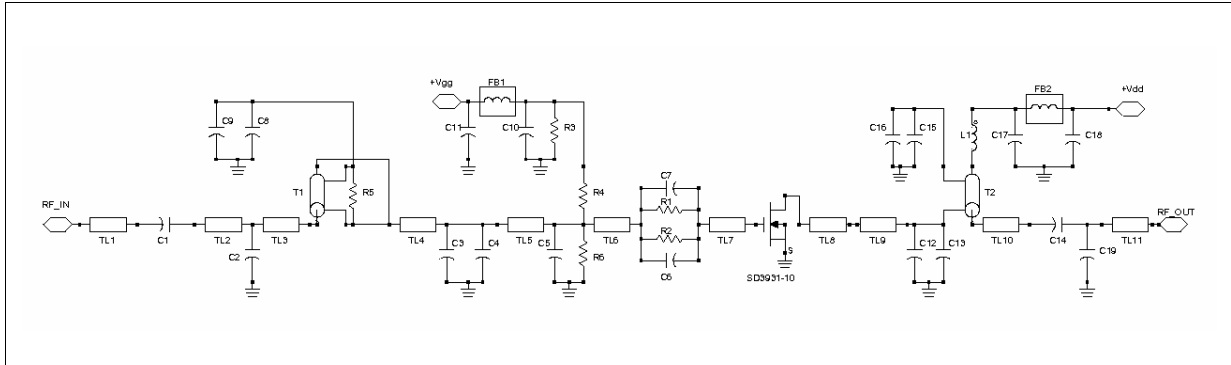


Table 8. Bill of materials

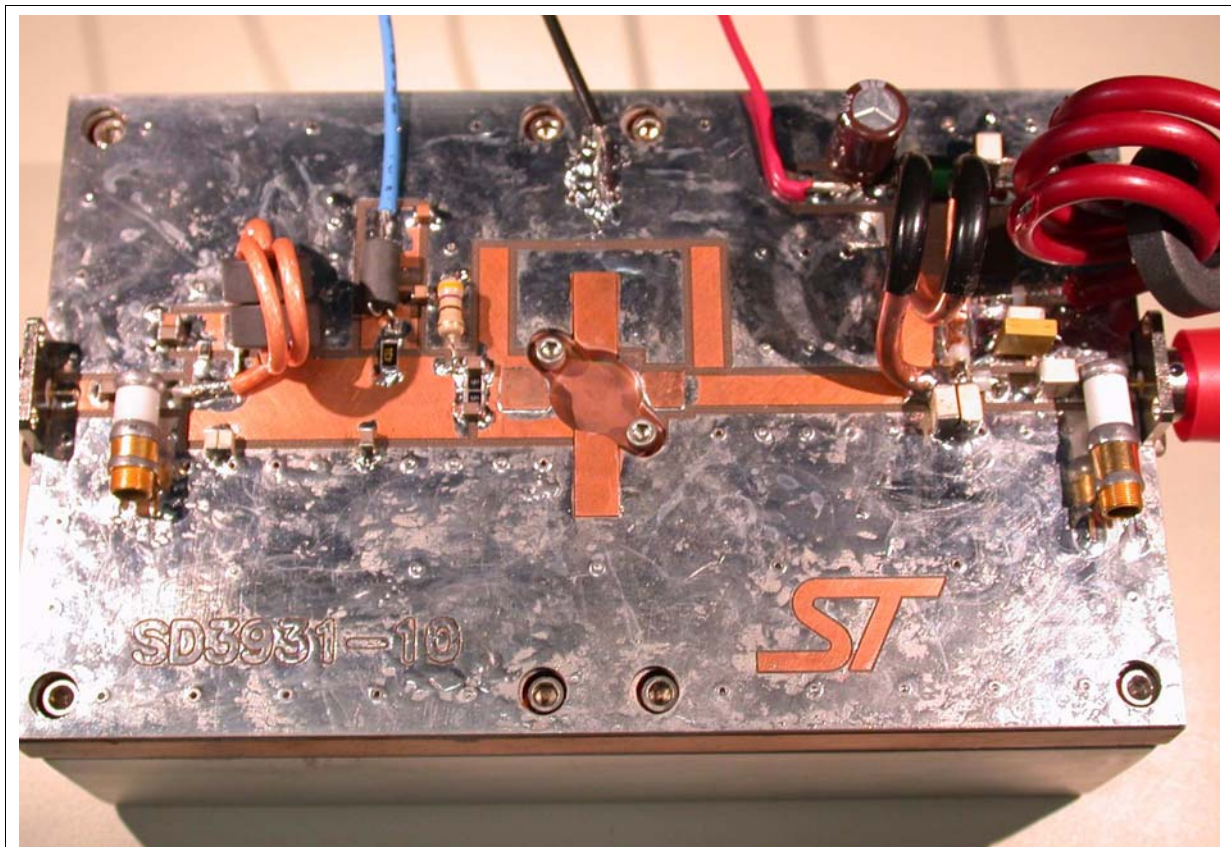
Component	Description
C1, C8	1200 pF ATC 700B chip capacitor
C2	1-20 Johanson air variable capacitor
C3, C4	120 pF ATC 100B chip capacitor
C5	300 pF ATC 100B chip capacitor
C6, C7	470 pF ATC 100B chip capacitor
C9, C10, C11	10,000 pF ATC 200B chip capacitor
C12, C16	470 pF ATC 100C chip capacitor
C13	120 pF ATC 100C chip capacitor
C14, C17	1,000 pF ATC 100C chip capacitor
C15	0.1 uF molded ceramic capacitor
C18	10 uF, 200 V electrolytic capacitor
C19	1-30 pF Johanson variable capacitor
R1, R2	5.1 Ω 1/4 W chip resistor
R3	470 Ω , 1/8 W chip resistor
R4	430 Ω , 1/2 W chip resistor
R5	360 Ω , 1/8 W chip resistor
R6	470 ohm, 1/2 W carbon axial lead resistor
FB1, FB2	ferrite bead, VK200
L1	RG-141, 13.6" thru Fair-Rite toroid #2643801502, 3 turns
T1	4:1 transformer, 25 Ω coaxial cable, 6", thru 2 x Fair-Rite toroid # 5943001101, 2 turns
T2	1:4 transformer, 25 ohm semi-rigid coaxial cable, OD .141", 6", 2 turns
TL1	0.340" x 0.175" microstrip

Table 8. Bill of materials (continued)

Component	Description
TL2	0.135" x 0.175" microstrip
TL3	0.225" x 0.175" microstrip
TL4	0.175" x 0.500" microstrip
TL5	0.805" x 0.500" microstrip
TL6	0.600" x 0.500" microstrip
TL7	0.420" x 0.500" microstrip
TL8	0.265" x 0.240" microstrip
TL9	1.550" x 0.180" microstrip
TL10	0.360" x 0.175" microstrip
TL11	0.300" x 0.175" microstrip
PCB	0.062" woven glass, copper clad, Er = 2.55

6 Circuit layout

Figure 8. Circuit layout photo



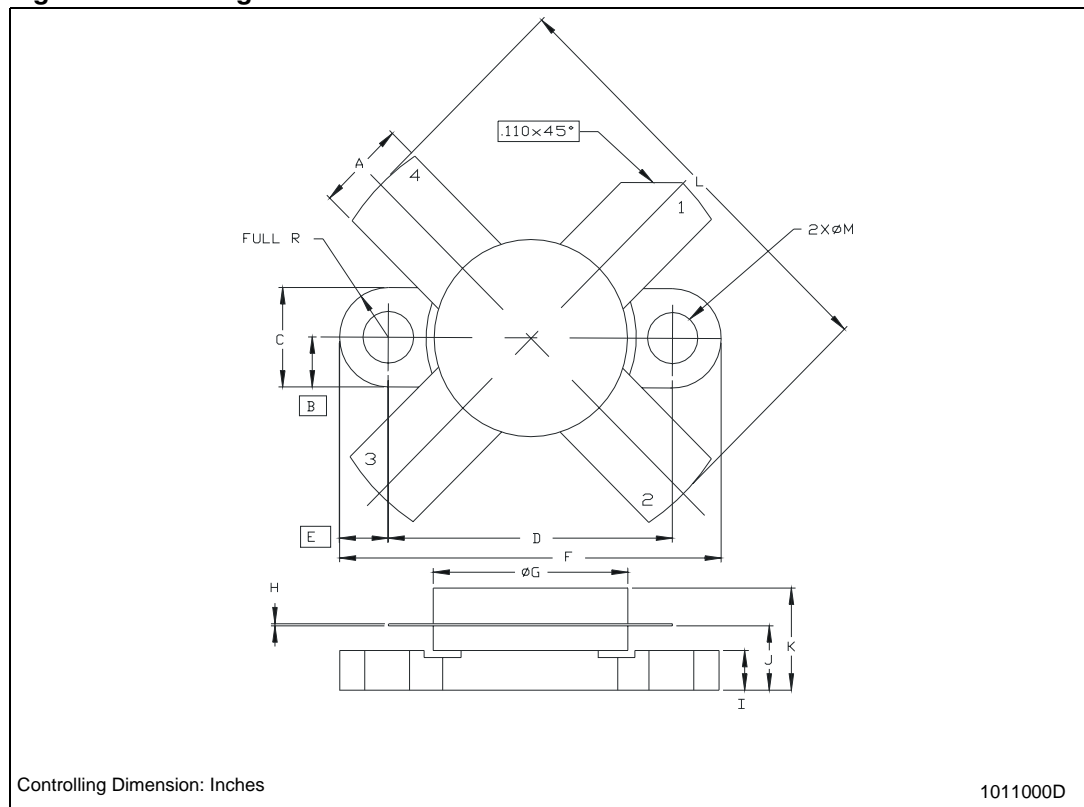
7 Package mechanical data

In order to meet environmental requirements, ST offers these devices in different grades of ECOPACK[®] packages, depending on their level of environmental compliance. E COPACK[®] specifications, grade definitions and product status are available at: www.st.com. ECOPACK is an ST trademark.

Table 9. M174 (0.500 DIA 4/L N/HERM W/FLG) mechanical data

Dim.	mm.			Inch		
	Min	Typ	Max	Min	Typ	Max
A	5.56		5.584	0.219		0.230
B		3.18			0.125	
C	6.22		6.48	0.245		0.255
D	18.28		18.54	0.720		0.730
E		3.18			0.125	
F	24.64		24.89	0.970		0.980
G	12.57		12.83	0.495		0.505
H	0.08		0.18	0.003		0.007
I	2.11		3.00	0.083		0.118
J	3.81		4.45	0.150		0.175
K			7.11			0.280
L	25.53		26.67	1.005		1.050
M	3.05		3.30	0.120		0.130

Figure 9. Package dimensions



8 Revision history

Table 10. Document revision history

Date	Revision	Changes
15-Jun-2007	1	First release
11-Jul-2007	2	Inserted Table 7: Vgs sort (@250 mA) on page 7
26-Oct-2007	3	Updated Table 4: Static (per side) on page 4 Added Section 5: Test circuit on page 8 , Section 6: Circuit layout on page 9
11-Jul-2008	4	Updated Table 4: Static (per side) on page 4
07-Sep-2010	5	Updated features on cover page.

Please Read Carefully:

Information in this document is provided solely in connection with ST products. STMicroelectronics NV and its subsidiaries ("ST") reserve the right to make changes, corrections, modifications or improvements, to this document, and the products and services described herein at any time, without notice.

All ST products are sold pursuant to ST's terms and conditions of sale.

Purchasers are solely responsible for the choice, selection and use of the ST products and services described herein, and ST assumes no liability whatsoever relating to the choice, selection or use of the ST products and services described herein.

No license, express or implied, by estoppel or otherwise, to any intellectual property rights is granted under this document. If any part of this document refers to any third party products or services it shall not be deemed a license grant by ST for the use of such third party products or services, or any intellectual property contained therein or considered as a warranty covering the use in any manner whatsoever of such third party products or services or any intellectual property contained therein.

UNLESS OTHERWISE SET FORTH IN ST'S TERMS AND CONDITIONS OF SALE ST DISCLAIMS ANY EXPRESS OR IMPLIED WARRANTY WITH RESPECT TO THE USE AND/OR SALE OF ST PRODUCTS INCLUDING WITHOUT LIMITATION IMPLIED WARRANTIES OF MERCHANTABILITY, FITNESS FOR A PARTICULAR PURPOSE (AND THEIR EQUIVALENTS UNDER THE LAWS OF ANY JURISDICTION), OR INFRINGEMENT OF ANY PATENT, COPYRIGHT OR OTHER INTELLECTUAL PROPERTY RIGHT.

UNLESS EXPRESSLY APPROVED IN WRITING BY AN AUTHORIZED ST REPRESENTATIVE, ST PRODUCTS ARE NOT RECOMMENDED, AUTHORIZED OR WARRANTED FOR USE IN MILITARY, AIR CRAFT, SPACE, LIFE SAVING, OR LIFE SUSTAINING APPLICATIONS, NOR IN PRODUCTS OR SYSTEMS WHERE FAILURE OR MALFUNCTION MAY RESULT IN PERSONAL INJURY, DEATH, OR SEVERE PROPERTY OR ENVIRONMENTAL DAMAGE. ST PRODUCTS WHICH ARE NOT SPECIFIED AS "AUTOMOTIVE GRADE" MAY ONLY BE USED IN AUTOMOTIVE APPLICATIONS AT USER'S OWN RISK.

Resale of ST products with provisions different from the statements and/or technical features set forth in this document shall immediately void any warranty granted by ST for the ST product or service described herein and shall not create or extend in any manner whatsoever, any liability of ST.

ST and the ST logo are trademarks or registered trademarks of ST in various countries.

Information in this document supersedes and replaces all information previously supplied.

The ST logo is a registered trademark of STMicroelectronics. All other names are the property of their respective owners.

© 2010 STMicroelectronics - All rights reserved

STMicroelectronics group of companies

Australia - Belgium - Brazil - Canada - China - Czech Republic - Finland - France - Germany - Hong Kong - India - Israel - Italy - Japan - Malaysia - Malta - Morocco - Philippines - Singapore - Spain - Sweden - Switzerland - United Kingdom - United States of America

www.st.com

