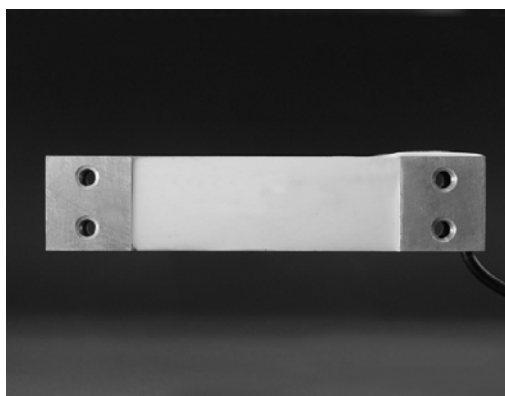
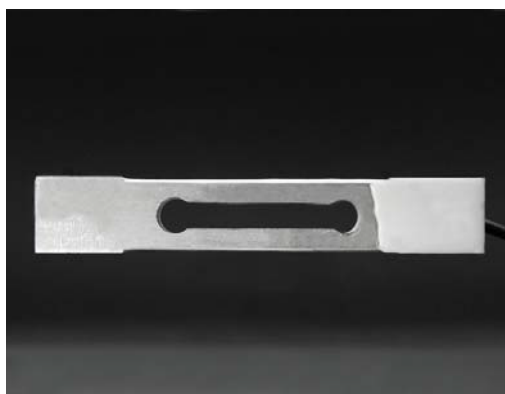




Weight Sensor (Load Cell) 0-50kg

SKU 114990100



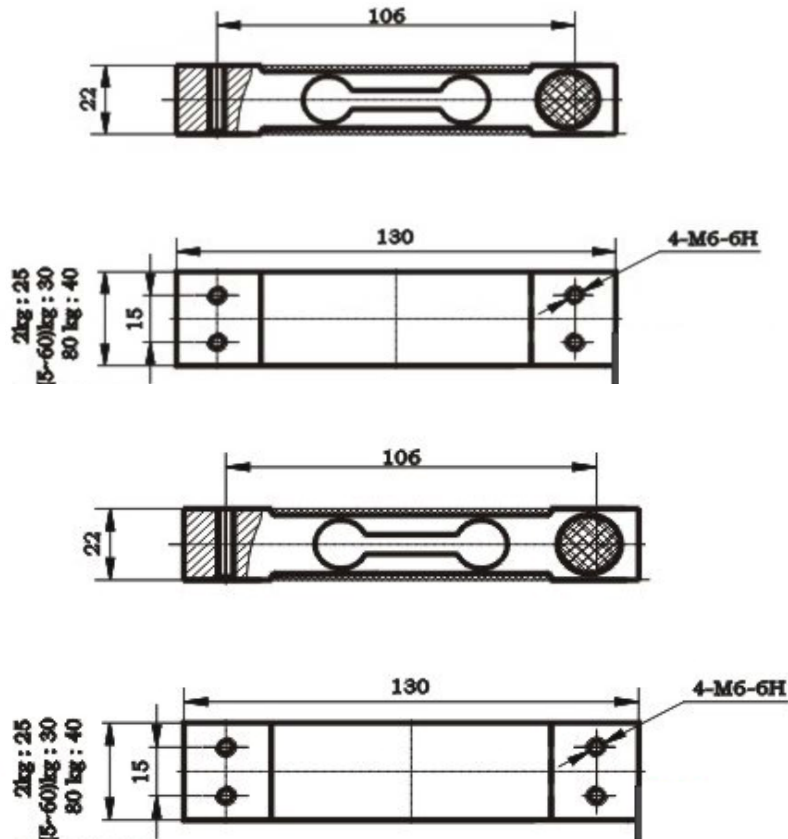
Description

Introduction :

Applicable to electronic scale, price computing scale, electronic platform scale, digital scale; parcel post scale, electronic balance and all varieties of commercial scales by single load cell.

Specification :

- Capacity: 50KG
- Rated output(MV/V): 2.0 ± 0.15
- Accuracy class: C2
- Maximum number of load cell verification intervals(N max): 2000
- Minimum number of load cell verification intervals(Vmin): $E_{Max}/5000$
- Combined error(%RO): $< \pm 0.030$
- Creep(%RO/30min): 0.03
- Temperature effect on sensitivity(%RO/°C): 0.0016
- Temperature effect on zero(%RO/°C): 0.003
- Zero balance(%RO): 1.0
- Input resistance(Ω): 402 ± 6
- Output resistance(Ω): 350 ± 3
- Insulation resistance($M\Omega < 50V >$): 5000
- Recommended excitation voltage(V): 10~15
- Compensated temperature range(°C): -10~+40
- Operating temperature range(°C): -35~+80
- Safe overload(%RO): 150
- Ultimate overload(%RO): 200
- Load cell material: Aluminium
- Platform size: 350x350mm
- Connecting cable: $\phi 4.2 \times 350$ mm
- Method of connecting wire: Red(+),Black(-),Green(+),White(-)



技术指标

应用	Application	计价秤 Price computing scales	
型号	Model	YZC-1B	
量程	Capacity Kg	2、3、5、6、8、10、30、35、40、50、60、80	
输出灵敏度	Rated output MV/V	2.0±0.15	
精度等级	Accuracy class	C2	C3
最大检定分度数	Maximum number of verification intervals	D_{max}	2000
最小检定分度值	Minimum load cell verification intervals	V_{min}	E_{Max}/5000
综合误差	Combined error	%RO	E_{Max}/7500
蠕变	Creep	%RO/30min	0.03
温度灵敏度漂移	Temperature effect on sensitivity	%RO/°C	0.0016
温度零点漂移	Temperature effect on zero	%RO/°C	0.003
零点平衡	Zero balance	%RO	±1.0
输入阻抗	Input resistance	Ω	402±6
输出阻抗	Output resistance	Ω	1066±10
绝缘电阻	Insulation resistance	MΩ (50V)	350±3
推荐激励电压	Recommended excitation voltage	V	5000
温度补偿范围	Compensated temperature range	°C	10~15
工作温度范围	Operating temperature range	°C	-10~+40
安全超载能力	Safe overload	%RO	-35~+80
极限超载范围	Ultimate overload	%RO	150
传感器材料	Load cell material	铝合金 Aluminium	
推荐台面尺寸	Platform size	350X350	
接线电缆	Connecting cable	Ø 4.2X350mm	
接线方式	Method of connecting wire	红输入 (+) 黑输入 (-) 绿输出 (+) 白输出 (-)	