

L.652M | T-Handles

Aluminium

L.152 | T-Handles

Duroplast

- 1
- 2
- 3
- 4
- 5
- 6
- 7
- 8
- 9
- 10
- 11
- 12
- 13
- 14
- 15
- 16
- 17
- 18



STANDARD EXECUTIONS

Plain or threaded blind hole.

- **L.652M**: natural aluminium.

- **L.652M-C9**: aluminium with epoxy resin coating, RAL 9005 black colour, matte finish.

SPECIAL EXECUTIONS ON REQUEST

Aluminium with epoxy resin coating, RAL 9006 grey colour, matte finish.

MATERIAL

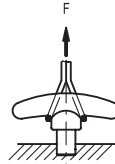
Phenolic based (PF) Duroplast, black colour, glossy finish.

STANDARD EXECUTION

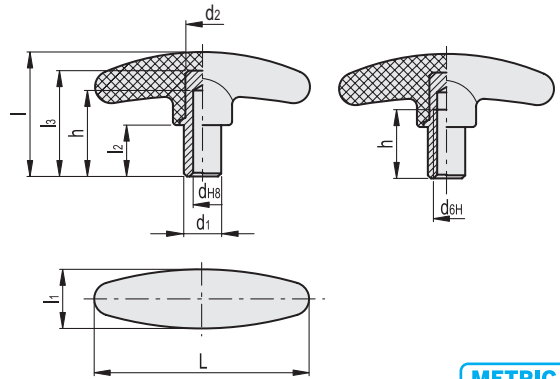
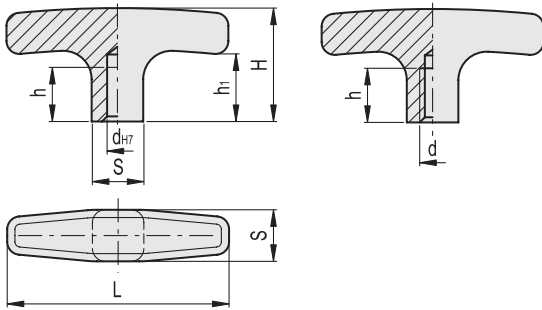
Black-oxide steel hub, plain or threaded blind hole.

TECHNICAL DATA

Tensile stress: F values reported in the table are the result of breaking tests carried out with the appropriate dynamometric equipment under the test conditions shown in the figure with ambient temperature.



ELESA Original design



L.652M

METRIC

Code	Description	L	d	dh7	S	H	h	h1	Δ
33432	L.652-M-AL-55-B6	55	-	6	14	33	12	22	30
33433	L.652-M-AL-55-M6	55	M6	-	14	33	12	22	30
33434	L.652-M-AL-55-M8	55	M8	-	14	33	12	22	29
33442	L.652-M-AL-67-B8	67	-	8	16	37	16	25	45
33443	L.652-M-AL-67-M8	67	M8	-	16	37	16	25	45
33452	L.652-M-AL-80-B8	80	-	8	20	41	16	26	80
33453	L.652-M-AL-80-M8	80	M8	-	20	41	16	26	80

L.652M-C9

Code	Description	L	d	dh7	S	H	h	h1	Δ
33437	L.652-M-AL-55-B6-C9	55	-	6	14	33	12	22	30
33438	L.652-M-AL-55-M6-C9	55	M6	-	14	33	12	22	30
33439	L.652-M-AL-55-M8-C9	55	M8	-	14	33	12	22	29
33447	L.652-M-AL-67-B8-C9	67	-	8	16	37	16	25	45
33448	L.652-M-AL-67-M8-C9	67	M8	-	16	37	16	25	45
33457	L.652-M-AL-80-B8-C9	80	-	8	20	41	16	26	80
33458	L.652-M-AL-80-M8-C9	80	M8	-	20	41	16	26	80

METRIC

Code	Description	L	dH8	d6H	d1	d2	h	l	l1	l2	l3	F [N]	Δ
32101	L.152/70 A-6	69	6	-	12	11	25	40	19	16	34	2000	37
32111	L.152/70 A-M8	69	-	M8	12	11	20	40	19	16	34	2000	34
32201	L.152/80 A-6	79	6	-	16	13	25	44	22	18	36	2000	66
32211	L.152/80 A-M8	79	-	M8	16	13	20	44	22	18	36	2000	63
32301	L.152/95 A-6	95	6	-	18	15	30	50	26	19	41	4000	102
32303	L.152/95 A-10	95	10	-	18	15	30	50	26	19	41	4000	91
32311	L.152/95 A-M10	95	-	M10	18	15	25	50	26	19	41	4000	93

Conversion Table			
1 mm = 0,039 inch			
L			
mm	inch	mm	inch
55	2.17	79	3.11
67	2.64	80	3.15
69	2.72	95	3.74

Fixed & Revolving handles