

THIS INFORMATION IS CONFIDENTIAL AND PROPRIETARY TO CW INDUSTRIES INCORPORATED AND ITS AFFILIATES. IT MAY NOT BE DISCLOSED TO ANYONE, OTHER THAN CW INDUSTRIES PERSONNEL, WITHOUT WRITTEN AUTHORIZATION FROM CW INDUSTRIES INCORPORATED, SOUTHAMPTON, PENNSYLVANIA USA.

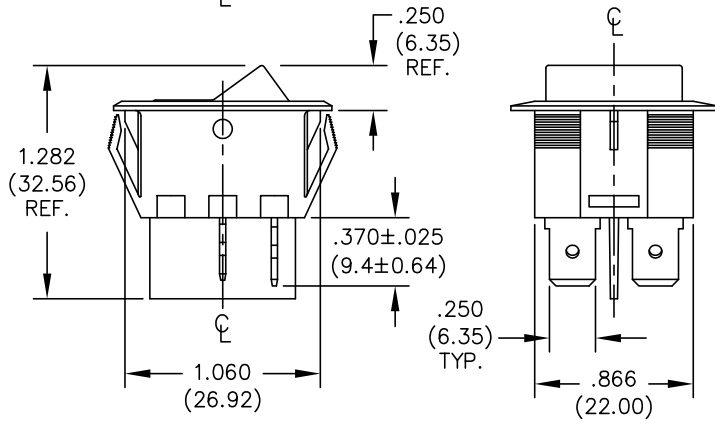
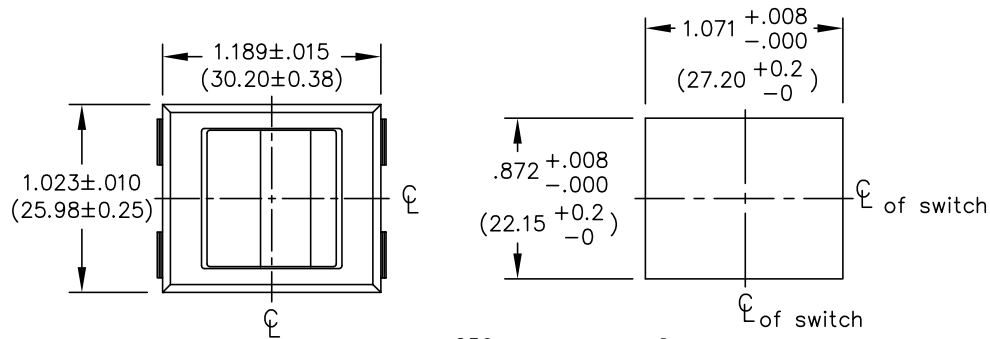
DIMENSIONS IN INCHES (MILLIMETERS)
DO NOT SCALE DRAWING

Dwg. No.
GR-2021-XXXX

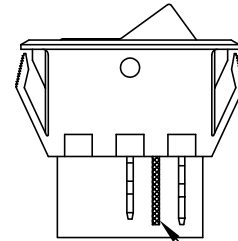
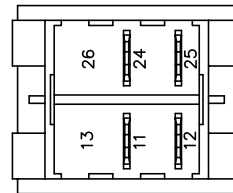
PANEL
THICKNESS

.025" to .150"
(0.64mm to 3.81mm)

PANEL PIERCING



BOTTOM VIEW



INSULATING BARRIERS
BETWEEN TERMINALS
OPTIONAL

1 2 3 4 5 6 7 8 9 10

B-FORMAT 2002

REVISIONS

CW INDUSTRIES
Southampton, Pa. 18966

TOLERANCES UNLESS OTHERWISE SPECIFIED
2 Place Decimal ±.010 METRIC
3 Place Decimal ±.005 1 Place Dec. ±.25mm
Angles ±1' 2 Place Dec. ±.13mm

Made for: CW IND.
Drawn by: DGW 8-01-2010
Checked by:
Approval:

Title: PANEL MOUNT
ROCKER SWITCH
D.P.- S.T.
WITH OPTIONS

Division:
SWITCH

Dwg. No.
GR-2021-XXXX

PDF FILE MADE