

Telpower® Fused Disconnect Switch

DC Distribution Protection System

60 Volt DC, 3-70 Amps

15800



15800

Fused Disconnect Switch

Ampere Ratings: 3 to 70 Amperes

Voltage Rating: 60 Volts DC

Agency Approvals:

U.L. Recognized, Guide QPQY2, File E97649

Catalog Numbers

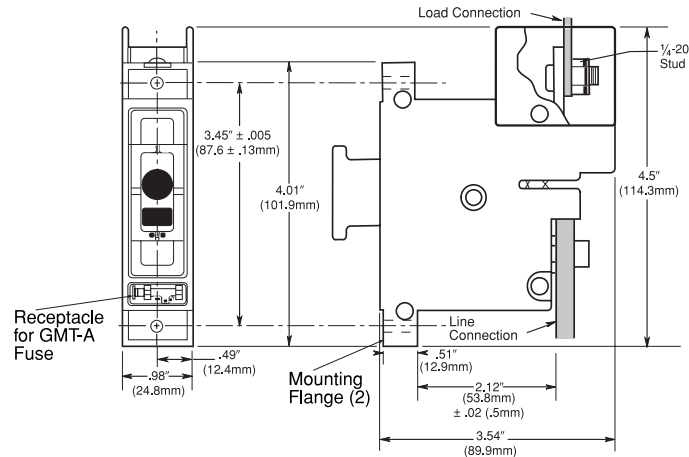
15800-R-200	Rear Access Panel Mounting
15800-F-200	Front Access Panel Mounting

General Information:

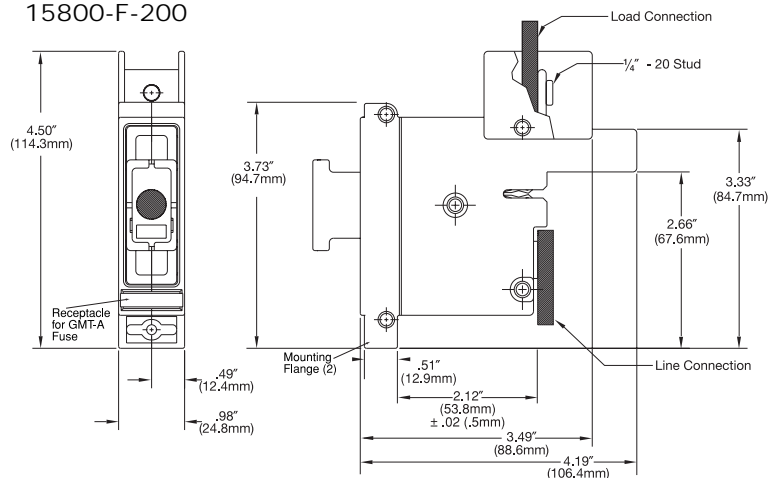
- For use with the following fuses only:
 - Main: Telpower® TPS 3 to 70 Amp (page 5)
 - Alarm: Bussmann GMT-A only (page 16).
 - Recommend GMT-X Cover (page 16).
- Application Note: The line connection uses a 1/4" -20 bolt that threads into the line terminal. The line terminal is designed with a float of ±.02 to allow for variation in the distance between the 15800 mounting flange and the line bus bar (see dimensional data). Equipment should be designed to eliminate any relative movement between the 15800 mounting flange and the line bus bar.
- Alarm output with wire wrap terminal or connection to .063" thick common alarm bus.
- Thermoplastic housing material U.L. rated 94V-0, 150°C.
- Spare alarm and power fuse compartment.
- Mounting hardware included.
- Spare fuseholders:
 - for TPS fuses (TPSFH-AS);
 - for GMT fuses (TPSFH-T), see page 14.

Dimensional Data

15800-R-200



15800-F-200



The only controlled copy of this BIF document is the electronic read-only version located on the Bussmann Network Drive. All other copies of this BIF document are by definition uncontrolled. This bulletin is intended to clearly present comprehensive product data and provide technical information that will help the end user with design applications. Bussmann reserves the right, without notice, to change design or construction of any products and to discontinue or limit distribution of any products. Bussmann also reserves the right to change or update, without notice, any technical information contained in this bulletin. Once a product has been selected, it should be tested by the user in all possible applications.