

# XPT IGBT phaseleg

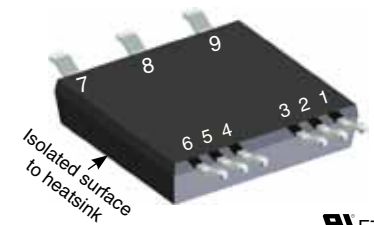
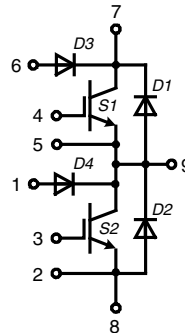
## ISOPLUS™

### Surface Mount Power Device

$$I_{C25} = 43 \text{ A}$$

$$V_{CES} = 1200 \text{ V}$$

$$V_{CE(sat) \text{ typ}} = 1.9 \text{ V}$$



E72873

**IGBTs S1, S2**

Symbol	Conditions	Maximum Ratings
$V_{CES}$	$T_{VJ} = 25^{\circ}\text{C to } 150^{\circ}\text{C}$	1200 V
$V_{GES}$		$\pm 20$ V
$I_{C25}$	$T_C = 25^{\circ}\text{C}$	43 A
$I_{C80}$	$T_C = 80^{\circ}\text{C}$	30 A
$I_{CM}$	$V_{GE} = 15 \text{ V}; R_G = 39 \Omega; T_{VJ} = 125^{\circ}\text{C}$ RBSOA, clamped inductive load; $L = 100 \mu\text{H}$	75 A
$V_{CEK}$		$V_{CES}$
$t_{SC}$ (SCSOA)	$V_{CE} = 900 \text{ V}; V_{GE} = \pm 15 \text{ V}; R_G = 39 \Omega; T_{VJ} = 125^{\circ}\text{C}$ none repetitive	10 $\mu\text{s}$
$P_{tot}$	$T_C = 25^{\circ}\text{C}$	150 W

Symbol	Conditions	Characteristic Values				
( $T_{VJ} = 25^{\circ}\text{C}$ , unless otherwise specified)						
		min.	typ.	max.		
$V_{CE(sat)}$	$I_C = 25 \text{ A}; V_{GE} = 15 \text{ V}; T_{VJ} = 25^{\circ}\text{C}$ $T_{VJ} = 125^{\circ}\text{C}$		1.9 2.2	2.2	V V	
$V_{GE(th)}$	$I_C = 1 \text{ mA}; V_{GE} = V_{CE}$	5.4		6.5	V	
$I_{CES}$	$V_{CE} = V_{CES}; V_{GE} = 0 \text{ V}; T_{VJ} = 25^{\circ}\text{C}$ $T_{VJ} = 125^{\circ}\text{C}$		200	2.1	mA $\mu\text{A}$	
$I_{GES}$	$V_{CE} = 0 \text{ V}; V_{GE} = \pm 20 \text{ V}$			500	nA	
$t_{d(on)}$ $t_r$ $t_{d(off)}$ $t_f$ $E_{on}$ $E_{off}$ $E_{(rec)off}$	Inductive load; $T_{VJ} = 125^{\circ}\text{C}$ $V_{CE} = 600 \text{ V}; I_C = 25 \text{ A}$ $V_{GE} = \pm 15 \text{ V}; R_G = 39 \Omega$		70 40 250 100 2.5 3.0 tbd		ns ns ns ns mJ mJ	
$C_{ies}$		$V_{CE} = 25 \text{ V}; V_{GE} = 0 \text{ V}; f = 1 \text{ MHz}$		tbd		pF
$Q_{Gon}$		$V_{CE} = 600 \text{ V}; V_{GE} = 15 \text{ V}; I_C = 25 \text{ A}$		76		nC
$R_{thJC}$					0.85	K/W
$R_{thJH}$		with heatsink compound (IXYS test setup)		0.95	1.3	K/W

**Features**

- **XPT IGBT**
  - low saturation voltage
  - positive temperature coefficient for easy paralleling
  - fast switching
  - short tail current for optimized performance in resonant circuits
- **Sonic™ diode**
  - fast reverse recovery
  - low operating forward voltage
  - low leakage current
- **$V_{CE(sat)}$  detection diode**
  - integrated into package
  - very fast diode
- **Package**
  - isolated back surface
  - low coupling capacity between pins and heatsink
  - PCB space saving
  - enlarged creepage towards heatsink
  - application friendly pinout
  - low inductive current path
  - high reliability

**Applications**

- **Phaseleg**
  - buck-boost chopper
- **Full bridge**
  - power supplies
  - induction heating
  - four quadrant DC drives
  - controlled rectifier
- **Three phase bridge**
  - AC drives
  - controlled rectifier

**Diodes D1, D2**

Symbol	Conditions	Maximum Ratings			
$I_{F25}$	$T_C = 25^\circ\text{C}$	40	A		
$I_{F80}$	$T_C = 80^\circ\text{C}$	27	A		
Symbol	Conditions	Characteristic Values			
( $T_{VJ} = 25^\circ\text{C}$ , unless otherwise specified)					
		min.	typ.	max.	
$V_F$	$I_F = 20\text{ A}$		1.9	2.4	V
			1.9		V
$I_{RM}$	$I_F = 20\text{ A}; R_G = 39\ \Omega; T_{VJ} = 125^\circ\text{C}$ $V_R = 600\text{ V}; V_{GE} = -15\text{ V}$		30		A
$t_{rr}$			350		ns
$E_{rec}$			0.85		mJ
$R_{thJC}$	per diode			0.9	K/W
$R_{thJH}$	with heatsink compound (IXYS test setup)		1.2	1.5	K/W

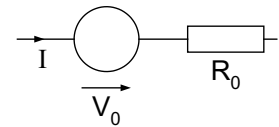
**Diodes D3, D4**

Symbol	Conditions	Maximum Ratings			
$V_R$	$T_C = 25^\circ\text{C}$ to $150^\circ\text{C}$	1200	V		
Symbol	Conditions	Characteristic Values			
( $T_{VJ} = 25^\circ\text{C}$ , unless otherwise specified)					
		min.	typ.	max.	
$V_F$	$I_F = 1\text{ A}$		1.7	2.2	V
			1.5		V
$I_R$	$V_R = 1200\text{ V}$			2	$\mu\text{A}$
			30		$\mu\text{A}$
$I_{RM}$	$I_F = 1\text{ A}; di_F/dt = -100\text{ A}/\mu\text{s}; T_{VJ} = 25^\circ\text{C}$ $V_R = 100\text{ V}; V_{GE} = 0\text{ V}$		2.3		A
$t_{rr}$			40		ns

**Component**

Symbol	Conditions	Maximum Ratings			
$T_{VJ}$		-55...+150	$^\circ\text{C}$		
$T_{stg}$		-55...+125	$^\circ\text{C}$		
$V_{ISOL}$	$I_{ISOL} \leq 1\text{ mA}; 50/60\text{ Hz}$	2500	V~		
$F_C$	mounting force	40 ... 130	N		
Symbol	Conditions	Characteristic Values			
		min.	typ.	max.	
$C_P$	coupling capacity between shorted pins and backside metal		90		pF
$d_S, d_A$	pin - pin	1.65			mm
$d_S, d_A$	pin - backside metal	4			mm
<b>CTI</b>		400			
<b>Weight</b>			8		g

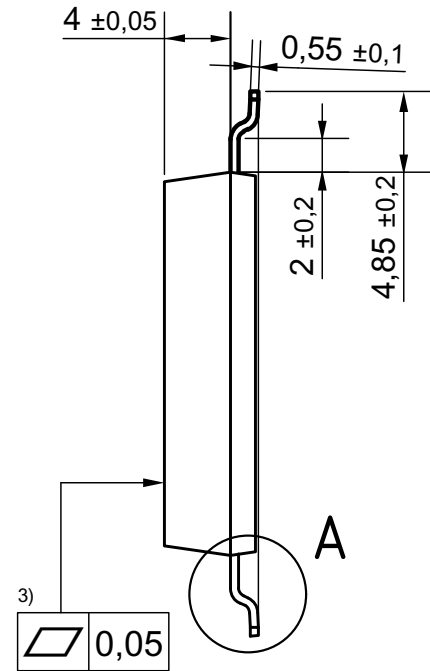
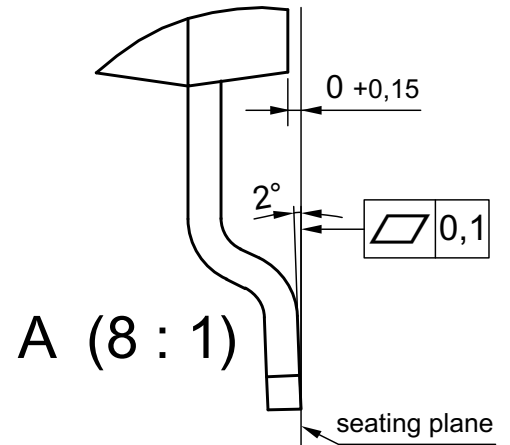
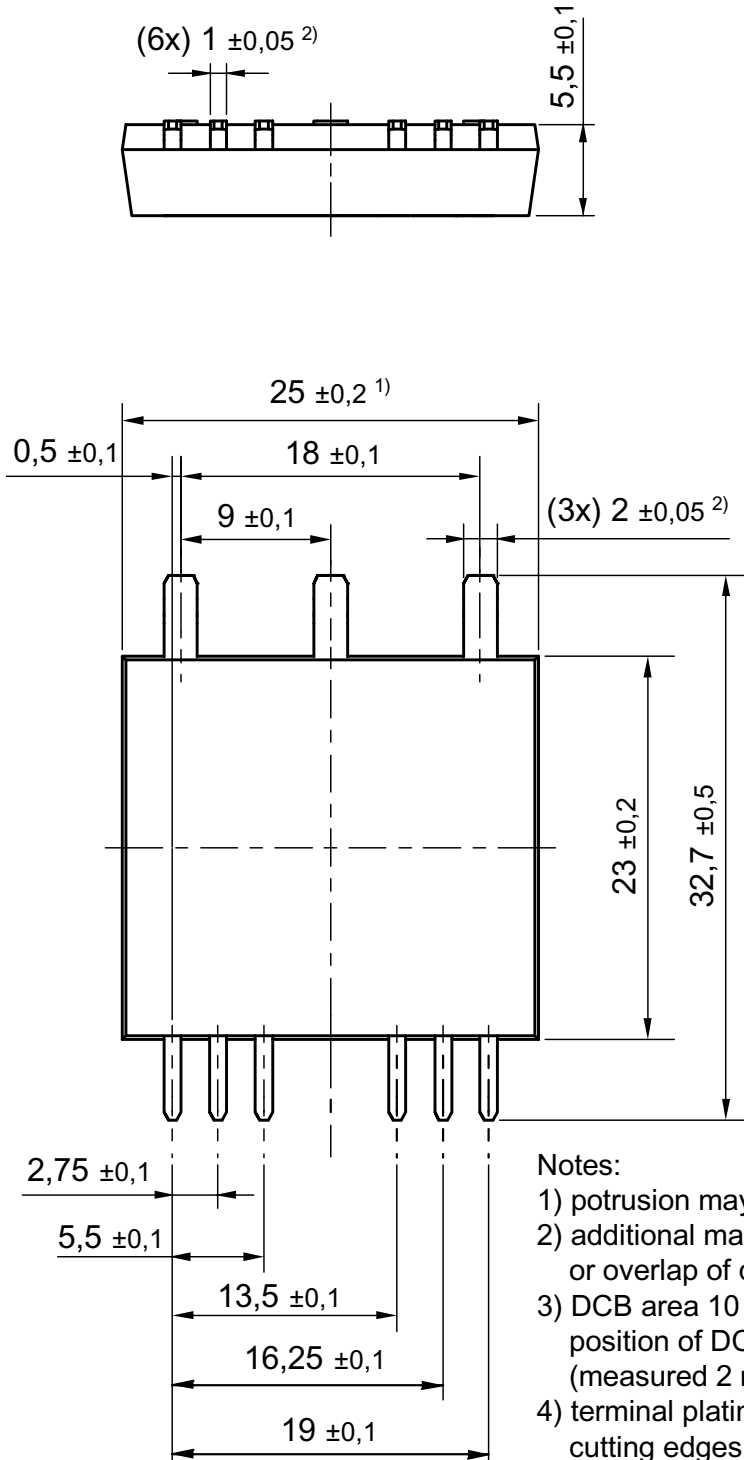
Ordering	Ordering Name	Marking on Product	Delivering Mode	Base Qty	Ordering Code
Standard	IXA30PG1200DHGLB-TRR	IXA30PG1200DHGLB	Tape&Reel	200	511846

**Equivalent Circuits for Simulation**
**Conduction**


IGBTs (typ. at  $V_{GE} = 15\text{ V}; T_J = 125^\circ\text{C}$ )  
S1, S2  $V_o = 1.1\text{ V}; R_o = 60\text{ m}\Omega$

Diodes (typ. at  $T_J = 125^\circ\text{C}$ )  
D1, D2  $V_o = 1.3\text{ V}; R_o = 28\text{ m}\Omega$

Dimensions in mm (1 mm = 0.0394")


**Notes:**

- 1) potrusion may add 0.2 mm max. on each side
- 2) additional max. 0.05 mm per side by punching misalignment or overlap of dam bar or bending compression
- 3) DCB area 10 to 50  $\mu\text{m}$  convex;  
position of DCB area in relation to plastic rim:  $\pm 25 \mu\text{m}$  (measured 2 mm from Cu rim)
- 4) terminal plating: 0.2 - 1  $\mu\text{m}$  Ni + 10 - 25  $\mu\text{m}$  Sn (gal v.)  
cutting edges may be partially free of plating

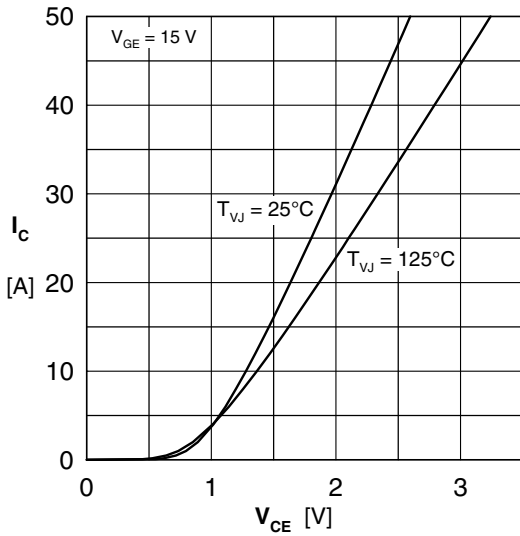


Fig. 1 Typ. output characteristics

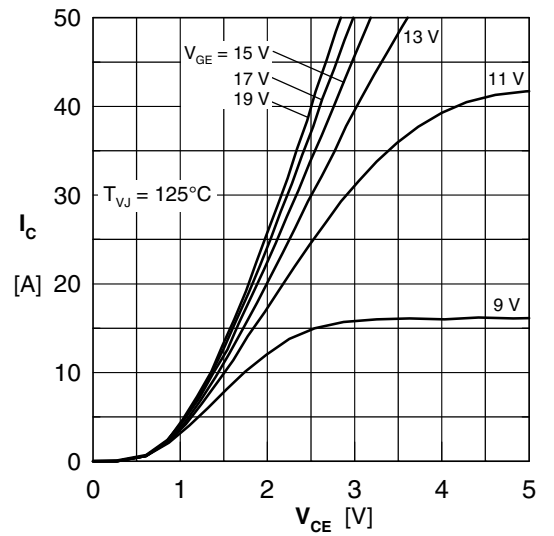


Fig. 2 Typ. output characteristics

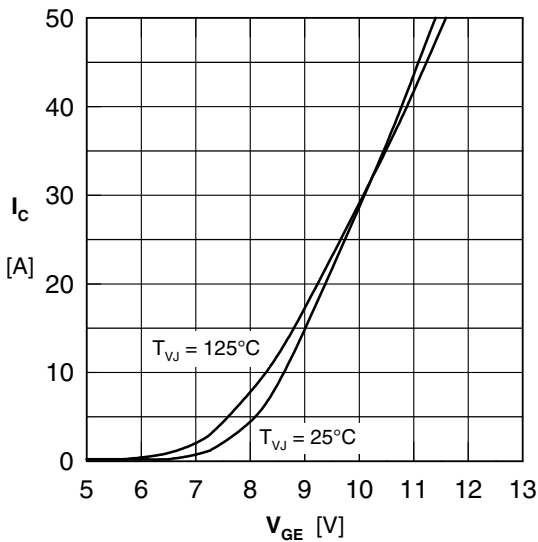


Fig. 3 Typ. transfer characteristics

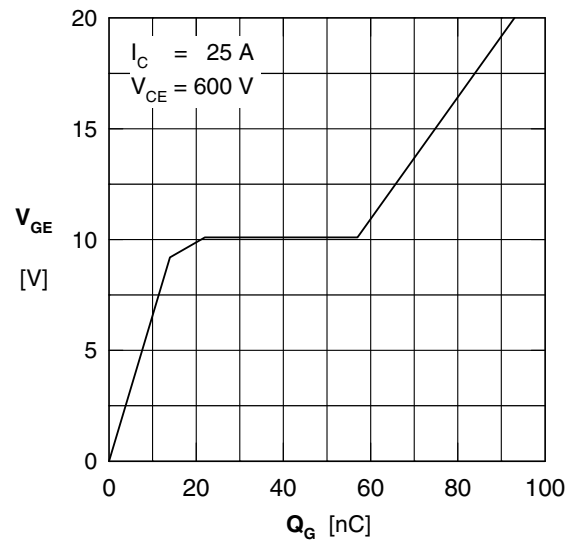


Fig. 4 Typ. turn-on gate charge

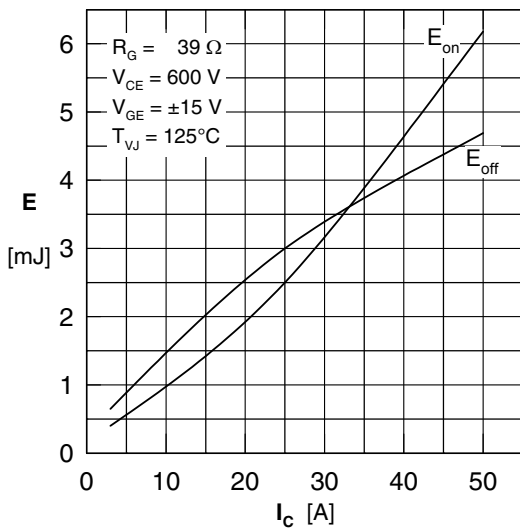


Fig. 5 Typ. switching energy vs. collector current

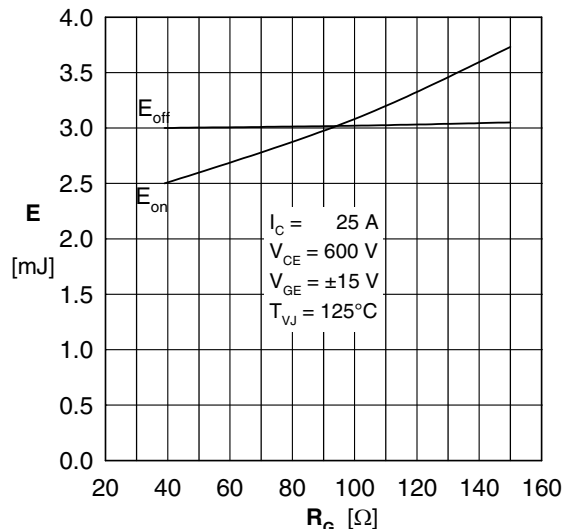


Fig. 6 Typ. switching energy vs. gate resistance

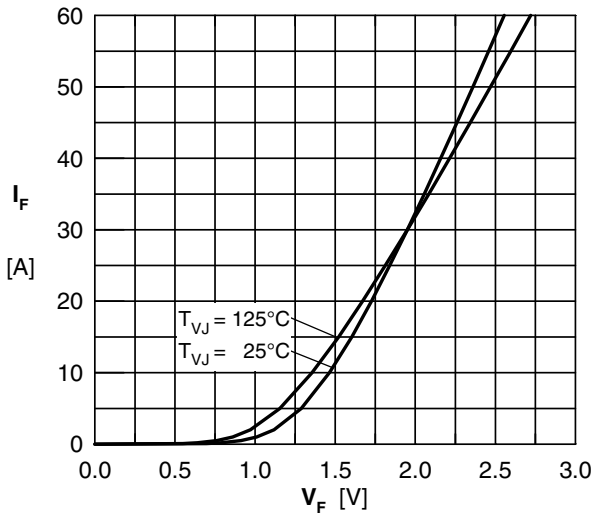


Fig. 7 Typ. Forward current versus  $V_F$

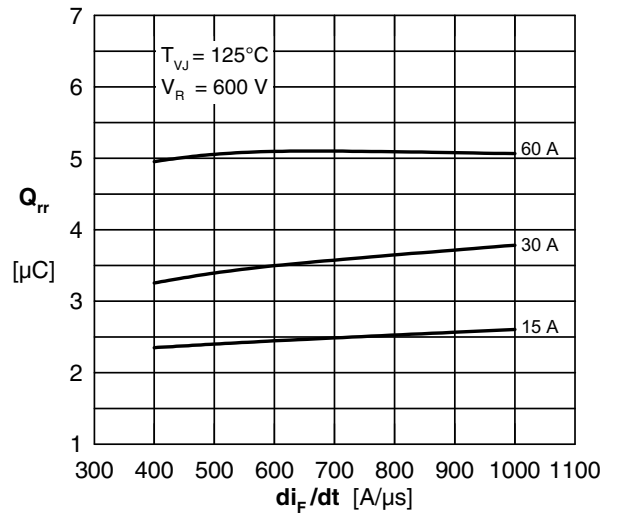


Fig. 8 Typ. reverse recov.charge  $Q_{rr}$  vs.  $di/dt$

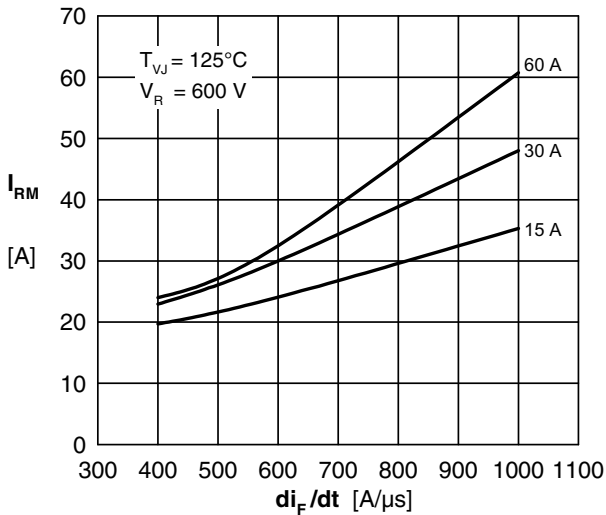


Fig. 9 Typ. peak reverse current  $I_{RM}$  vs.  $di/dt$

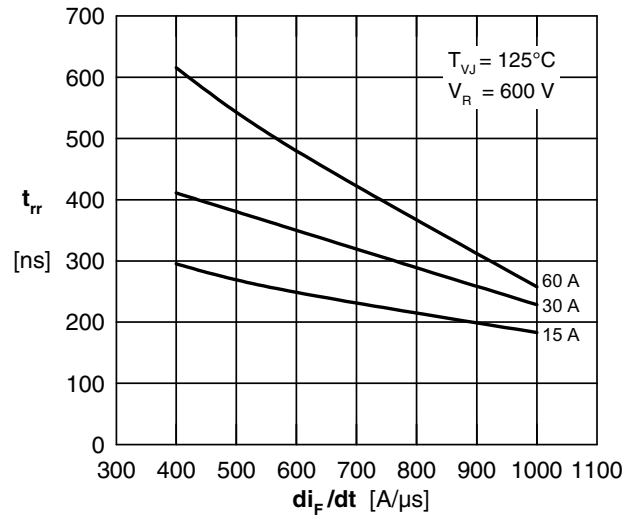


Fig.10 Typ. recovery time  $t_{rr}$  versus  $di/dt$

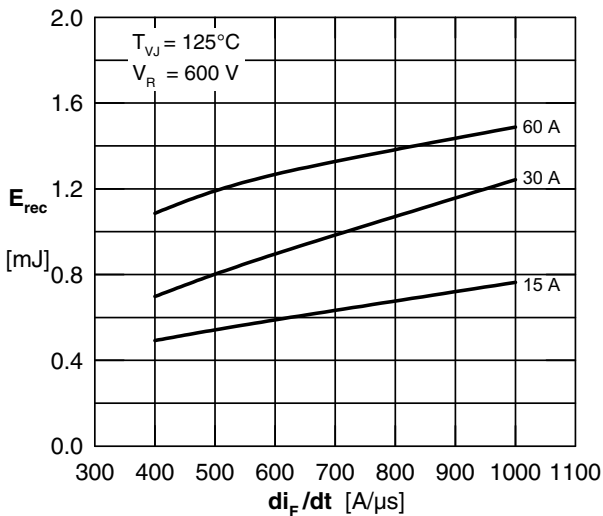


Fig.11 Typ. recovery energy  $E_{rec}$  versus  $di/dt$



---

Disclaimer Notice - Information furnished is believed to be accurate and reliable. However, users should independently evaluate the suitability of and test each product selected for their own applications. Littelfuse products are not designed for, and may not be used in, all applications. Read complete Disclaimer Notice at [www.littelfuse.com/disclaimer-electronics](http://www.littelfuse.com/disclaimer-electronics).