



IP67 plastic hoods  
IP67 metallized plastic hoods  
for rear mount

Identification	No. of contacts	Part number	Drawing	Dimensions in mm
----------------	-----------------	-------------	---------	------------------

D-Sub

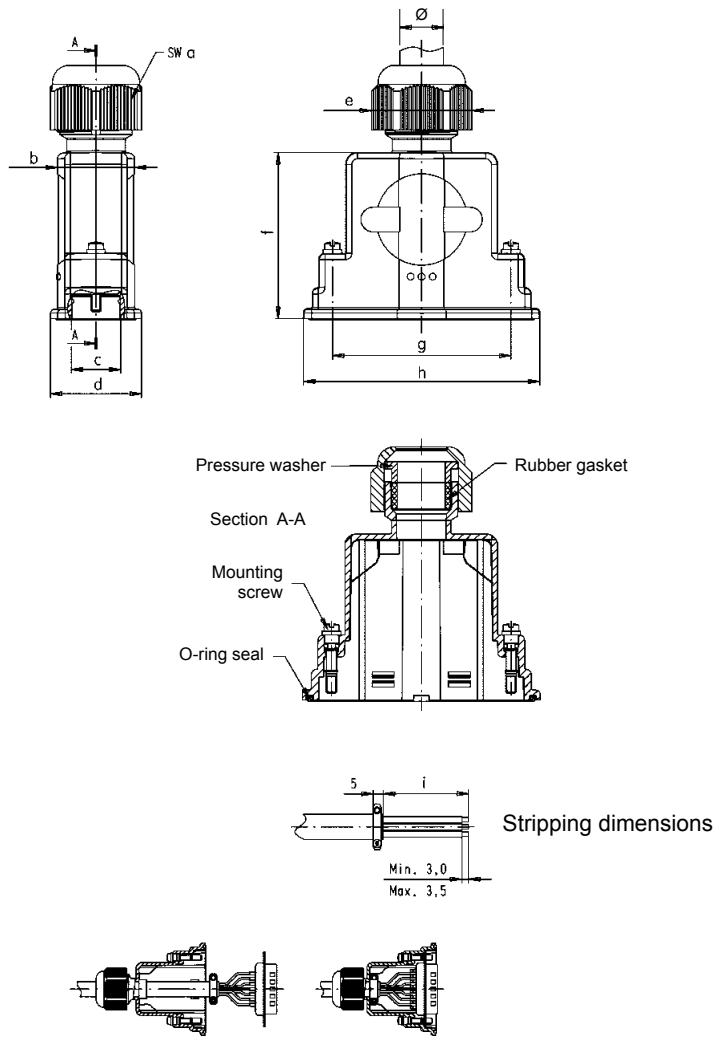
Hood <sup>1)</sup>	No. of contacts	Part number
Black thermoplastic	9	09 67 009 043
	15	09 67 015 043
	25	09 67 025 043
	37	09 67 037 043
	50	09 67 050 043

Metallized thermo-  
plastic

9	09 67 009 053
15	09 67 015 053
25	09 67 025 053
37	09 67 037 053
50	09 67 050 053

Please insert digit  
for screw option

Locking screw, thread 4-40 UNC	8
Locking screw, thread M3	9



Mounting instructions:

- The peeled back cable braiding must not extend over the cable clamp, in order not to damage the gasket or to impair its performance.
- Pull back cable until cable clamp snaps into shielding plate.
- Snap connector into hood.

	a	b	c	d	e	f	g	h	i	Ø	
										min.	max.
9	20	16.5	13.0	20.2	22.1	36.4	25.0	39.8	18.0	6.0	8.0
15	24	16.5	13.0	20.2	26.6	36.4	33.3	48.5	18.0	6.0	10.5
25	24	20.3	13.0	24.0	26.6	43.6	47.0	62.3	45.0	8.0	12.0
37	24	20.3	13.0	24.0	26.6	52.1	63.5	78.6	60.0	8.0	12.0
50	29	22.0	16.0	27.6	32.1	52.1	61.1	75.7	60.0	9.0	14.0

<sup>1)</sup> Not to be used with 9 to 50-pole crimp connectors