

## FEATURES

- Stacked Inductor Acts as Heat Sink
- Wide Input Voltage Range: 4.7V to 15V
- 0.6V to 3.3V Output Voltage Range
- $\pm 1.3\%$  Total DC Output Voltage Error Over Line, Load and Temperature ( $-40^{\circ}\text{C}$  to  $125^{\circ}\text{C}$ )
- Differential Remote Sense Amplifier for Precision Regulation
- Current Mode Control/Fast Transient Response
- Frequency Synchronization
- Parallel Current Sharing (Up to 240A)
- Internal or External Compensation
- 88% Efficiency ( $12\text{V}_{\text{IN}}$ ,  $1\text{V}_{\text{OUT}}$ ) at 40A
- Overcurrent Foldback Protection
- $16\text{mm} \times 16\text{mm} \times 7.07\text{mm}$  BGA Package

## APPLICATIONS

- Telecom Servers and Networking Equipment
- Industrial Equipment and Medical Systems

## DESCRIPTION

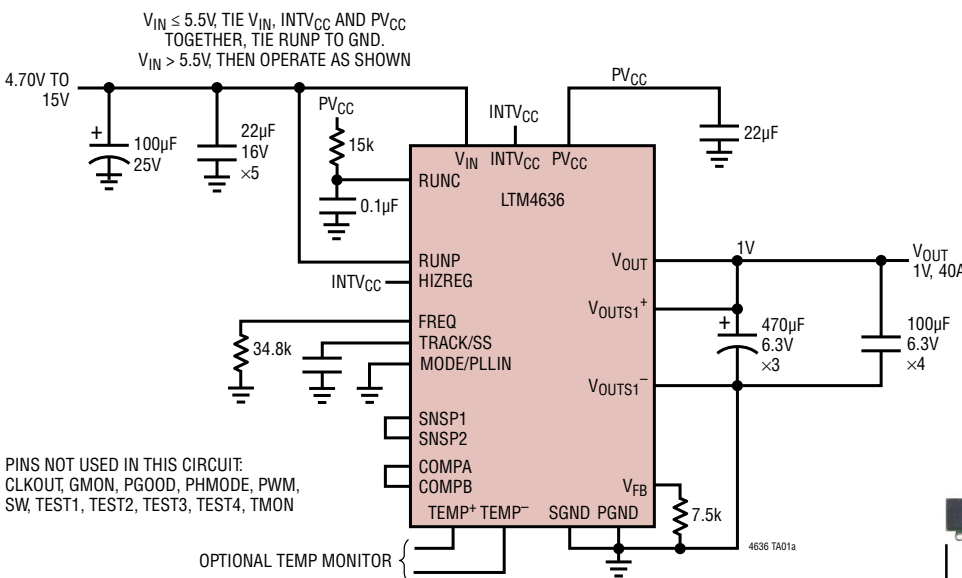
The **LTM<sup>®</sup>4636** is a 40A step-down  $\mu$ Module (power module) switching regulator with a stacked inductor as a heat sink for quicker heat dissipation and cooler operation in a small package. The exposed inductor permits direct contact with airflow from any direction. The LTM4636 can deliver 40W ( $12\text{V}_{\text{IN}}$ ,  $1\text{V}_{\text{OUT}}$ , 40A, 200LFM) with only  $40^{\circ}\text{C}$  rise over the ambient temperature. Full-power 40W is delivered, up to  $83^{\circ}\text{C}$  ambient and half-power 20W is supported at  $110^{\circ}\text{C}$  ambient.

The LTM4636 operates at 92%, 90% and 88% efficiency, delivering 15A, 30A and 40A, respectively, to a 1V load ( $12\text{V}_{\text{IN}}$ ). The  $\mu$ Module regulator is scalable such that four  $\mu$ Modules in current sharing mode deliver 160W with only  $40^{\circ}\text{C}$  rise and 88% efficiency ( $12\text{V}_{\text{IN}}$ ,  $1\text{V}_{\text{OUT}}$ , 400LFM). The LTM4636 is offered in a  $16\text{mm} \times 16\text{mm} \times 7.07\text{mm}$  BGA package.

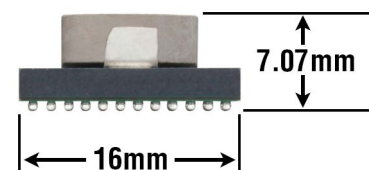
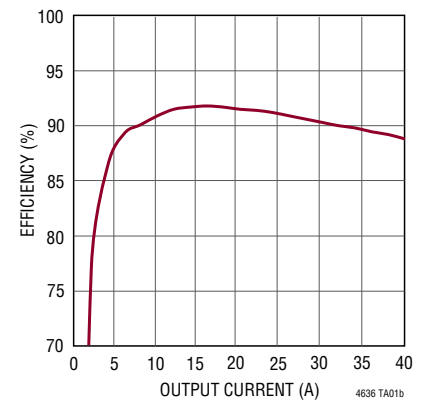
LT, LT, LTC, LTM, PolyPhase, Burst Mode,  $\mu$ Module, Linear Technology, LTpowerCAD and the Linear logo are registered trademarks of Linear Technology Corporation. All other trademarks are the property of their respective owners. Protected by U.S. Patents, including 5481178, 5847554, 6580258, 6304066, 6476589, 6774611, 6677210, 8163643.

## TYPICAL APPLICATION

**1V, 40A DC/DC  $\mu$ Module Regulator**



**$12\text{V}_{\text{IN}}$ ,  $1\text{V}_{\text{OUT}}$  Efficiency vs Output Current**



## ABSOLUTE MAXIMUM RATINGS

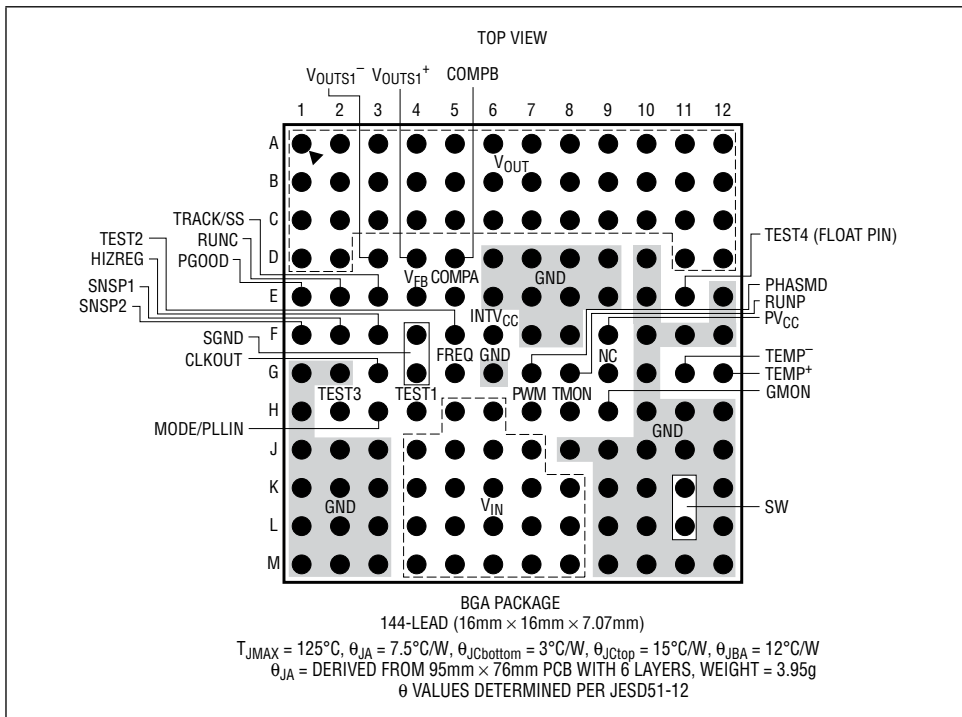
(Note 1)

$V_{IN}$ , SW, HZBREG, RUNP ..... -0.3V to 16V  
 $V_{OUT}$  ..... -0.3V to 3.5V  
 PGOOD, RUNC, TMON,  $PV_{CC}$ , MODE/PLLIN, PHMODE,  
 FREQ, TRACK/SS, TEST1, TEST2,  $V_{OUTS1-}$ ,  $V_{OUTS1+}$ ,  
 SNSP1, SNSP2, TEST3, TEST4 ..... -0.3V to  $INTV_{CC}$  (5V)  
 $V_{FB}$ , COMPA, COMPB (Note 7) ..... -0.3V to 2.7V  
 $PV_{CC}$  Additional Output Current ..... 0mA to 50mA

TEMP<sup>+</sup>, TEMP<sup>-</sup> ..... -0.3V to 0.8V  
 $INTV_{CC}$  Peak Output Current (Note 6) ..... 20mA  
 Internal Operating Temperature Range  
 (Note 2) ..... -40°C to 125°C  
 Storage Temperature Range ..... -55°C to 125°C  
 Reflow (Peak Body) Temperature ..... 250°C

Note: PWM, CLKOUT, and GMON are outputs only.

## PIN CONFIGURATION



Note:  $\theta_{JA} = (\theta_{Jcbottom} + \theta_{JBA}) || \theta_{Jctop}$ ;  $\theta_{JBA}$  is Board to Ambient

## ORDER INFORMATION <http://www.linear.com/product/LTM4636#orderinfo>

PART NUMBER	PAD OR BALL FINISH	PART MARKING*		PACKAGE TYPE	MSL RATING	TEMPERATURE RANGE (SEE NOTE 2)
		DEVICE	FINISH CODE			
LTM4636EY#PBF	SAC305 (RoHS)	LTM4636		BGA		-40°C to 125°C
LTM4636IY#PBF						-40°C to 125°C

- Device temperature grade is indicated by a label on the shipping container.
- Pad or ball finish code is per IPC/JEDEC J-STD-609.
- Terminal Finish Part Marking: [www.linear.com/leadfree](http://www.linear.com/leadfree)
- This product is not recommended for second side reflow. For more information, go to [www.linear.com/BGA-assy](http://www.linear.com/BGA-assy)

- Recommended BGA PCB Assembly and Manufacturing Procedures: [www.linear.com/BGA-assy](http://www.linear.com/BGA-assy)
- BGA Package and Tray Drawings: [www.linear.com/packaging](http://www.linear.com/packaging)
- This product is moisture sensitive. For more information, go to: [www.linear.com/BGA-assy](http://www.linear.com/BGA-assy)

## ELECTRICAL CHARACTERISTICS

The ● denotes the specifications which apply over the specified internal operating temperature range (Note 2), otherwise specifications are at  $T_A = 25^\circ\text{C}$ .  $V_{IN} = 12\text{V}$ , per the Typical Application in Figure 20.

SYMBOL	PARAMETER	CONDITIONS	MIN	TYP	MAX	UNITS
$V_{IN}$	Input DC Voltage	$V_{IN} \leq 5.5\text{V}$ , Tie $V_{IN}$ , $\text{INTV}_{CC}$ and $\text{PV}_{CC}$ Together, Tie $\text{RUNP}$ to GND	● 4.7		15	V
$V_{OUT}$	$V_{OUT}$ Range		● 0.6		3.3	V
$V_{OUT(DC)}$	DC Output Voltage, Total Variation with Line and Load	$C_{IN} = 22\mu\text{F} \times 5$ $C_{OUT} = 100\mu\text{F} \times 4$ Ceramic, $470\mu\text{F}$ POSCAP $\times 3$ $R_{FB} = 40.2\text{k}$ , $\text{MODE\_PLLIN} = \text{GND}$ $V_{IN} = 4.75\text{V}$ to $15\text{V}$ , $I_{OUT} = 0\text{A}$ to $40\text{A}$ (Note 4)	● 1.4805	1.5	1.5195	V

### Input Specifications

$V_{RUNC}$	RUNC Pin On Threshold	$V_{RUNC}$ Rising		1.1	1.22	1.35	V
$V_{RUNCHYS}$	RUNC Pin On Hysteresis				150	mV	
$V_{RUNP}$	RUNP Pin On Threshold	RUNP Pin Rising	● 0.7	0.8	0.9	V	
RUNP HYS	RUNP Pin Hysteresis				60	mV	
HIZREG	HIZREG Input Threshold	$V_{IN} = 12\text{V}$ , $\text{RUNC} = 5\text{V}$ , $\text{RUNP} = V_{IN}$ , $V_{OUT} = 1.5\text{V}$			2.3	V	
HIZREG HYS	HIZREG Hysteresis	$V_{IN} = 12\text{V}$ , $\text{RUNC} = 5\text{V}$ , $\text{RUNP} = V_{IN}$ , $V_{OUT} = 1.5\text{V}$			0.8	V	
$I_{Q(VIN)}$	Input Supply Bias Current	$V_{IN} = 12\text{V}$ , $V_{OUT} = 1.5\text{V}$ , Burst Mode Operation, $I_{OUT} = 0.1\text{A}$ $V_{IN} = 12\text{V}$ , $V_{OUT} = 1.5\text{V}$ , Pulse-Skipping Mode, $I_{OUT} = 0.1\text{A}$ $V_{IN} = 12\text{V}$ , $V_{OUT} = 1.5\text{V}$ , Switching Continuous, $I_{OUT} = 0.1\text{A}$ Shutdown, $\text{RUN} = 0$ , $V_{IN} = 12\text{V}$			16 23 105 30	 mA mA μA	
$I_{S(VIN)}$	Input Supply Current	$V_{IN} = 5\text{V}$ , $V_{OUT} = 1.5\text{V}$ , $I_{OUT} = 40\text{A}$ $V_{IN} = 12\text{V}$ , $V_{OUT} = 1.5\text{V}$ , $I_{OUT} = 40\text{A}$			14.7 5.66	 A	

### Output Specifications

$I_{OUT(DC)}$	Output Continuous Current Range	$V_{IN} = 12\text{V}$ , $V_{OUT} = 1.5\text{V}$ (Note 4)		0	40	A	
$\frac{\Delta V_{OUT}(\text{Line})}{V_{OUT}}$	Line Regulation Accuracy	$V_{OUT} = 1.5\text{V}$ , $V_{IN}$ from $4.75\text{V}$ to $15\text{V}$ $I_{OUT} = 0\text{A}$	●		0.02	0.06	%/V
$\frac{\Delta V_{OUT}(\text{Load})}{V_{OUT}}$	Load Regulation Accuracy	$V_{OUT} = 1.5\text{V}$ , $I_{OUT} = 0\text{A}$ to $40\text{A}$ , $V_{IN} = 12\text{V}$ (Note 4)	●		0.2	0.35	%
$V_{OUT(AC)}$	Output Ripple Voltage	$I_{OUT} = 0\text{A}$ , $C_{OUT} = 100\mu\text{F} \times 3$ Ceramic, $470\mu\text{F} \times 3$ POSCAP, $V_{IN} = 12\text{V}$ , $V_{OUT} = 1.5\text{V}$			15	mV <sub>p-p</sub>	
$\Delta V_{OUT(START)}$	Turn-On Overshoot	$C_{OUT} = 100\mu\text{F} \times 4$ Ceramic, $470\mu\text{F} \times 3$ POSCAP, $V_{OUT} = 1.5\text{V}$ , $I_{OUT} = 0\text{A}$ , $V_{IN} = 12\text{V}$ , $\text{TRACK/SS} = 0.1\mu\text{F}$			5	mV	
$t_{START}$	Turn-On Time	$C_{OUT} = 100\mu\text{F} \times 3$ Ceramic, $470\mu\text{F} \times 3$ POSCAP, No Load, $\text{TRACK/SS} = 0.001\mu\text{F}$ , $V_{IN} = 12\text{V}$			50	ms	
$\Delta V_{OUTLS}$	Peak Deviation for Dynamic Load	Load: 0% to 50% to 0% of Full Load $C_{OUT} = 100\mu\text{F} \times 4$ Ceramic, $470\mu\text{F} \times 3$ POSCAP, $V_{IN} = 12\text{V}$ , $V_{OUT} = 1.5\text{V}$ , $\text{CFF} = 22\text{pF}$			45	mV	
$t_{SETTLE}$	Settling Time for Dynamic Load Step	Load: 0% to 50% to 0% of Full Load, $V_{IN} = 5\text{V}$ , $C_{OUT} = 100\mu\text{F} \times 4$ Ceramic, $470\mu\text{F} \times 3$ POSCAP, $V_{IN} = 12\text{V}$ , $V_{OUT} = 1.5\text{V}$ , $\text{CFF} = 22\text{pF}$			25	μs	
$I_{OUTPK}$	Output Current Limit	$V_{IN} = 12\text{V}$ , $V_{OUT} = 1.5\text{V}$ $V_{IN} = 5\text{V}$ , $V_{OUT} = 1.5\text{V}$			54 54	 A	

### Control Section

$V_{FB}$	Voltage at $V_{FB}$ Pin	$I_{OUT} = 0\text{A}$ , $V_{OUT} = 1.5\text{V}$	●	0.594	0.600	0.606	V
$I_{FB}$	Current at $V_{FB}$ Pin	(Note 6)			-30	-100	nA
$V_{OVL}$	Feedback Overvoltage Lockout	Measure at $V_{OUTS1}$	●	5	7.5	10	%
$I_{TRACK/SS}$	Track Pin Soft-Start Pull-Up Current	$\text{TRACK/SS} = 0\text{V}$ , Default $750\mu\text{s}$ Turn on with $\text{TRACK/SS}$ Tied to $\text{INTV}_{CC}$		1.1	1.35	1.6	μA
$t_{ON(MIN)}$	Minimum On-Time	(Note 3)			100		ns
$R_{FBHI}$	Resistor Between $V_{OUTS1}$ and $V_{FB}$ Pins				4.99		kΩ

## ELECTRICAL CHARACTERISTICS

The ● denotes the specifications which apply over the specified internal operating temperature range (Note 2), otherwise specifications are at  $T_A = 25^\circ\text{C}$ .  $V_{IN} = 12\text{V}$ , per the typical application in Figure 20.

SYMBOL	PARAMETER	CONDITIONS	MIN	TYP	MAX	UNITS
<b>Remote Sense Amplifier</b>						
$A_{V(VFB)}$	$V_{FB}$ Differential Gain	(Note 6)		1		V/V
GBP $V_{FB}$ Path	Gain Bandwidth Product	(Note 5)		4		MHz
<b>General Control or Monitor Pins</b>						
$I_{TMON}$		Temperature Monitor Current, $T_J = 25^\circ\text{C}$ Into $25\text{k}\Omega$ Temperature Monitor Current, $T_J = 150^\circ\text{C}$ Into $25\text{k}\Omega$	38	40.3 58	44	$\mu\text{A}$ $\mu\text{A}$
$I_{TMON(SLOPE)}$		Temperature Monitor Current Slope, $R_{TMON} = 25\text{k}\Omega$		0.144		$\mu\text{A}/^\circ\text{C}$
$V_{PGOOD}$	PGOOD Trip Level	$V_{FB}$ With Respect to Set Output $V_{FB}$ Ramping Negative $V_{FB}$ Ramping Positive		-7.5 7.5		% %
$V_{PGL}$	PGOOD Voltage Low	$I_{PGOOD} = 2\text{mA}$		0.2	0.4	V
$t_{PGOOD}$	$V_{PGOOD}$ High-to-Low Delay			65		$\mu\text{s}$
$I_{PGOOD(OFF)}$	PGOOD Leakage Current	$V_{PGOOD} = 5\text{V}$	-2		2	$\mu\text{A}$
$V_{PG1(HYST)}$	PGOOD Trip Level Hysteresis			2.5		%
<b>INTV<sub>CC</sub> Linear Regulator</b>						
$V_{INTVCC}$	Internal $V_{CC}$ Voltage Source	$6\text{V} < V_{IN} < 15\text{V}$	5.3	5.5	5.7	V
$V_{INTVCC}$ Load Reg	INTV <sub>CC</sub> Load Regulation	$I_{CC} = 0\text{mA}$ to $10\text{mA}$		0.5		%
UVLO HYS	Controller UVLO Hysteresis	(Note 6)		0.5		V
$PV_{CC(UVLO)}$	Drivers and Power MOSFETs UVLO	$PV_{CC}$ Rising	3.5	3.8	4.1	V
$PV_{CC(HYS)}$	$PV_{CC}$ UVLO Hysteresis			0.45		V
$PV_{CC}$	Power Stage Bias	12V Input, $PV_{CC}$ Load = 50mm		5.0		V
<b>Oscillator and Phase-Locked Loop</b>						
$f_{OSC}$	Oscillator Frequency $V_{PHSMD} = 0\text{V}$	$R_{FREQ} = 30.1\text{k}\Omega$ $R_{FREQ} = 47.5\text{k}\Omega$ $R_{FREQ} = 54.9\text{k}\Omega$ $R_{FREQ} = 75.0\text{k}\Omega$ Maximum Frequency Minimum Frequency	210 540 625 945 1.2	250 600 750 1.05	290 660 825 1.155 0.2	kHz kHz kHz MHz MHz MHz
$I_{FREQ}$	FREQ Pin Output Current	$V_{FREQ} = 0.8\text{V}$	19	20	21	$\mu\text{A}$
$R_{MODE/PLLIN}$	MODE_PLLIN Input Resistance			250		$\text{k}\Omega$
$V_{MODE/PLLIN}$	PLLIN Input Threshold	$V_{MODE/PLLIN}$ Rising $V_{MODE/PLLIN}$ Falling		2 1.2		V V
$V_{CLKOUT}$	Low Output Voltage High Output Voltage	Verified Levels Measurements on CLKOUT		0.2 5.2		V V
PWM-CLKOUT	PWM to Clockout Phase Delay	$V_{PHSMD} = 0\text{V}$ $V_{PHSMD} = 1/4 \text{ INTV}_{CC}$ $V_{PHSMD} = \text{Float}$ $V_{PHSMD} = 3/4 \text{ INTV}_{CC}$ $V_{PHSMD} = \text{INTV}_{CC}$		90 90 120 60 180		Deg Deg Deg Deg Deg
<b>PWM/PWMEN Outputs</b>						
PWM	PWM Output High Voltage	$I_{LOAD} = 500\mu\text{A}$	5.0			V
	PWM Output Low Voltage	$I_{LOAD} = -500\mu\text{A}$			0.5	V

**ELECTRICAL CHARACTERISTICS** The ● denotes the specifications which apply over the specified internal operating temperature range (Note 2), otherwise specifications are at  $T_A = 25^\circ\text{C}$ .  $V_{IN} = 12\text{V}$ , per the typical application in Figure 20.

SYMBOL	PARAMETER	CONDITIONS	MIN	TYP	MAX	UNITS
<b>Temperature Diode</b>						
Diode $V_F$	Diode Forward Voltage	$I = 100\mu\text{A}$ , $\text{TEMP}^+$ to $\text{TEMP}^-$		0.598		V
TC	Temperature Coefficient		●	-2.0		$\text{mV}/^\circ\text{C}$

**Note 1:** Stresses beyond those listed under Absolute Maximum Ratings may cause permanent damage to the device. Exposure to any Absolute Maximum Rating condition for extended periods may affect device reliability and lifetime.

**Note 2:** The LTM4636 is tested under pulsed load conditions such that  $T_J \approx T_A$ . The LTM4636E is guaranteed to meet performance specifications over the  $0^\circ\text{C}$  to  $125^\circ\text{C}$  internal operating temperature range. Specifications over the full  $-40^\circ\text{C}$  to  $125^\circ\text{C}$  internal operating temperature range are assured by design, characterization and correlation with statistical process controls. The LTM4636I is guaranteed to meet specifications over the full  $-40^\circ\text{C}$  to  $125^\circ\text{C}$  internal operating temperature range. Note that the

maximum ambient temperature consistent with these specifications is determined by specific operating conditions in conjunction with board layout, the rated package thermal resistance and other environmental factors.

**Note 3:** The minimum on-time condition is specified for a peak-to-peak inductor ripple current of ~40% of  $I_{\text{MAX}}$  Load. (See the Applications Information section)

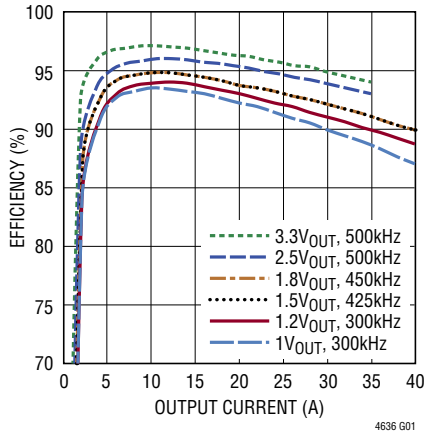
**Note 4:** See output current derating curves for different  $V_{IN}$ ,  $V_{OUT}$  and  $T_A$ .

**Note 5:** Guaranteed by design.

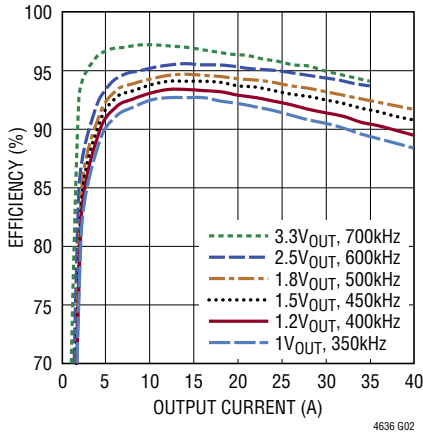
**Note 6:** 100% tested at wafer level.

**TYPICAL PERFORMANCE CHARACTERISTICS**

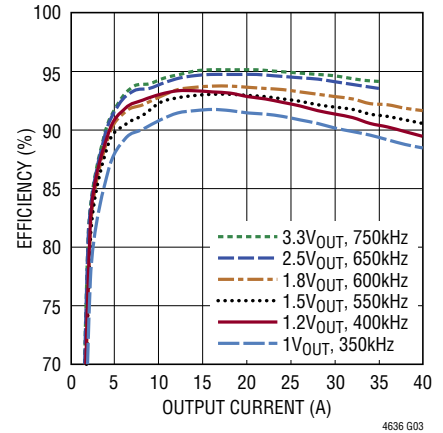
**Efficiency vs Load Current with  $5V_{IN}$**



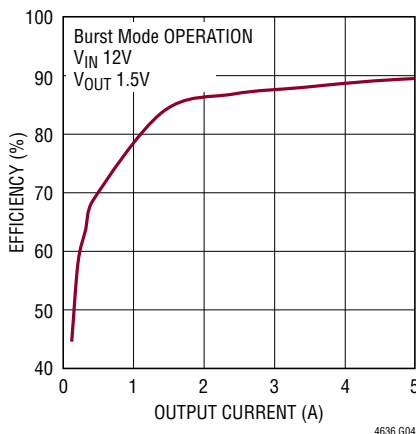
**Efficiency vs Load Current with  $8V_{IN}$**



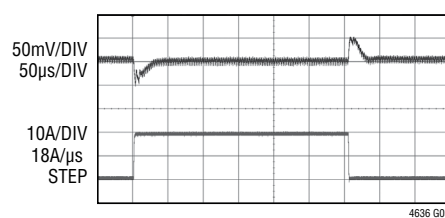
**Efficiency vs Load Current with  $12V_{IN}$**



**Burst Mode Efficiency vs Load Current**

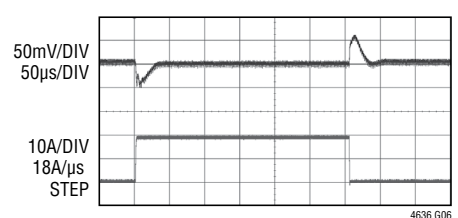


**1V Transient Response**



12V TO 1V TRANSIENT RESPONSE  
 $C_{OUT} = 4 \times 100\mu\text{F}$  CERAMIC,  $3 \times 470\mu\text{F}$  2.5V POSCAP  $5\text{m}\Omega$   
 $C_{FF} = 22\text{pF}$ , SW FREQ = 400kHz

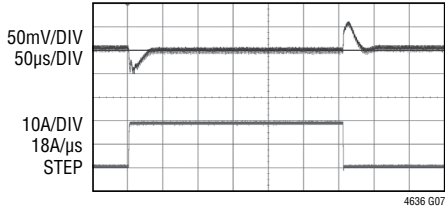
**1.2V Transient Response**



12V TO 1.2V TRANSIENT RESPONSE  
 $C_{OUT} = 4 \times 100\mu\text{F}$  CERAMIC,  $3 \times 470\mu\text{F}$  2.5V POSCAP  $5\text{m}\Omega$   
 $C_{FF} = 22\text{pF}$ , SW FREQ = 400kHz  
 $C_{COMP} = 100\text{pF}$

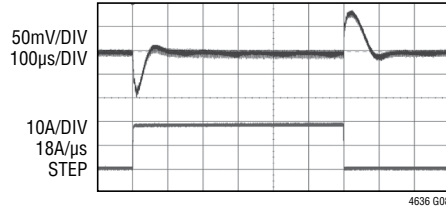
## TYPICAL PERFORMANCE CHARACTERISTICS

### 1.5V Transient Response



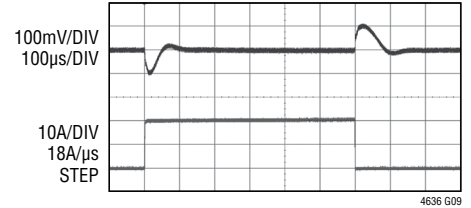
12V TO 1.5V TRANSIENT RESPONSE  
 $C_{OUT} = 4 \times 100\mu\text{F CERAMIC}, 3 \times 470\mu\text{F } 2.5\text{V POSCAP } 5\text{m}\Omega$   
 $C_{FF} = 22\text{pF}, \text{SW FREQ} = 425\text{kHz}$   
 $C_{COMP} = 100\text{pF}$

### 1.8V Transient Response



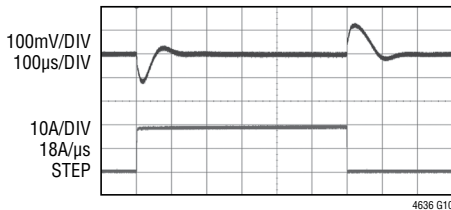
12V TO 1.8V TRANSIENT RESPONSE  
 $C_{OUT} = 6 \times 100\mu\text{F CERAMIC}, 2 \times 470\mu\text{F } 4\text{V POSCAP } 5\text{m}\Omega$   
 $C_{FF} = 22\text{pF}, \text{SW FREQ} = 500\text{kHz}$   
 $C_{COMP} = 100\text{pF}$

### 2.5V Transient Response



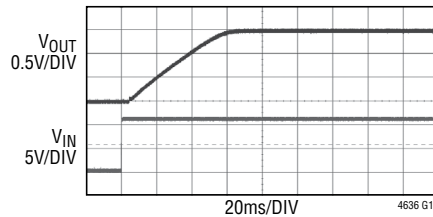
12V TO 2.5V TRANSIENT RESPONSE  
 $C_{OUT} = 6 \times 100\mu\text{F CERAMIC}, 2 \times 470\mu\text{F } 4\text{V POSCAP } 5\text{m}\Omega$   
 $C_{FF} = 22\text{pF}, \text{SW FREQ} = 650\text{kHz}$   
 $C_{COMP} = 100\text{pF}$

### 3.3V Transient Response



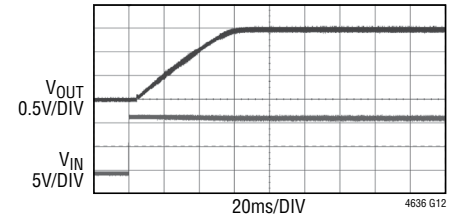
12V TO 3.3V TRANSIENT RESPONSE  
 $C_{OUT} = 6 \times 100\mu\text{F CERAMIC}, 2 \times 470\mu\text{F } 4\text{V POSCAP } 5\text{m}\Omega$   
 $C_{FF} = 22\text{pF}, \text{SW FREQ} = 750\text{kHz}$   
 $C_{COMP} = 100\text{pF}$

### Start-Up with Soft-Start No-Load



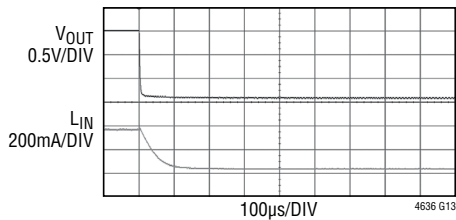
RUN PIN CAPACITOR =  $0.1\mu\text{F}$   
 TRACK/SS CAPACITOR =  $0.1\mu\text{F}$   
 $C_{OUT} = 4 \times 100\mu\text{F CERAMIC AND } 3 \times 470\mu\text{F POSCAP}$

### Start-Up with Soft-Start Full Load

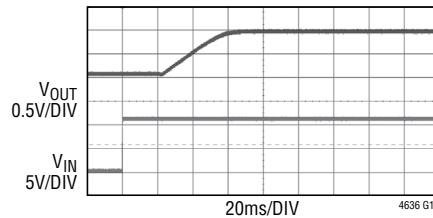


RUN PIN CAPACITOR =  $0.1\mu\text{F}$   
 TRACK/SS CAPACITOR =  $0.1\mu\text{F}$   
 $C_{OUT} = 4 \times 100\mu\text{F CERAMIC AND } 3 \times 470\mu\text{F POSCAP}$

### 40A Load Short-Circuit

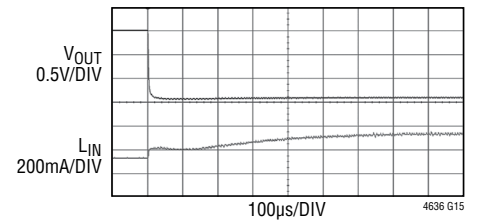


### Start-Up with 0.5V Output Pre-Bias



RUN PIN CAPACITOR =  $0.1\mu\text{F}$   
 TRACK/SS CAPACITOR =  $0.1\mu\text{F}$   
 $C_{OUT} = 4 \times 100\mu\text{F CERAMIC AND } 3 \times 470\mu\text{F POSCAP}$

### No-Load Short-Circuit



## PIN FUNCTIONS



PACKAGE ROW AND COLUMN LABELING MAY VARY AMONG  $\mu$ Module PRODUCTS. REVIEW EACH PACKAGE LAYOUT CAREFULLY.

**$V_{OUT}$  (A1-A12, B1-B12, C1-C12, D1-D2, D11-D12):** Power Output Pins. Apply output load between these pins and GND pins. Recommend placing output decoupling capacitance between these pins and GND pins. Review Table 4.

**MODE\_PLLIN (H3):** Forced Continuous Mode, Burst Mode Operation, or Pulse-Skipping Mode Selection Pin and External Synchronization Input to Phase Detector Pin. Connect this pin to INTV<sub>CC</sub> to enable pulse-skipping mode of operation. Connect to ground to enable forced continuous mode of operation. Floating this pin will enable Burst Mode operation. A clock on this pin will enable synchronization with forced continuous operation. See the Applications Information section.

**$V_{OUTS1}^-$  (D3):** V<sub>OUT</sub> Sense Ground for the Remote Sense Amplifier. This pin connects to the ground remote sense point. Connect to ground when not used. See the Applications Information section.

**$V_{OUTS1}^+$  (D4):** This pin should connect to  $V_{OUT}$  and is connected to  $V_{FB}$  through a 4.99k resistor. This pin is used to connect to a remote sense point of the load for accurate voltage sensing. Either connect to remote sense point or directly to  $V_{OUT}$ . See the Applications Information section for details.

**COMPB (D5):** Internal compensation network provided that coincides with proper stability utilizing the values in Table 5. Just connect this pin to COMPA for internal compensation. In parallel operation with other LTM4636 devices, connect COMPA and COMPB pins together for internal compensation, then connect all COMPA pins together.

**GND (D6-D10, E6-E10, E12, F7, F8, F10-F12, G1-G2, G6 G10, H1, H10-H12, J1-J3, J8-J12, K1-K3, K9-K10, K12, L1-L3, L9-L10, L12, M1-M3, M9-M12):** Ground Pins for Both Input and Output Returns.

**PGOOD (E1):** Output Voltage Power Good Indicator. Open-drain logic output is pulled to ground when the output voltage exceeds a  $\pm 7.5\%$  regulation window.

**RUNC (E2):** Run Control Pin. A voltage above 1.35V will turn on the control section of the module. A 10k resistor to ground is internal to the module for setting the RUN pin threshold with a resistor to 5V, and allowing a pull-up resistor to PV<sub>CC</sub> for enabling the device. See Figure 1 Block Diagram.

**TRACK/SS (E3):** Output Voltage Tracking Pin and Soft-Start Inputs. The pin has a 1.25 $\mu$ A pull-up current source. A capacitor from this pin to ground will set a soft-start ramp rate. In tracking, the regulator output can be tracked to a different voltage. The different voltage is applied to a voltage divider then to the slave output's track pin. This voltage divider is equal to the slave output's feedback divider for coincidental tracking. Default soft-start of 750 $\mu$ s with TRACK/SS pin connected to INTV<sub>CC</sub> pin. See the Applications Information section. In PolyPhase<sup>®</sup> applications tie the TRACK/SS pins together.

**$V_{FB}$  (E4):** The Negative Input of the Error Amplifier. Internally, this pin is connected to  $V_{OUTS1}^-$  with a 4.99k precision resistor. Different output voltages can be programmed with an additional resistor between  $V_{FB}$  and  $V_{OUTS1}^-$ . In PolyPhase operation, tying the  $V_{FB}$  pins together allows for parallel operation. See the Applications Information section.

**COMPA (E5):** Current Control Threshold and Error Amplifier Compensation Point. The current comparator threshold increases with this control voltage. Tie all COMPA pins together for parallel operation. This pin allows external compensation. See the Applications Information section.

**SNSP2 (F1):** Current Sense Signal Path. Connect this pin to SNSP1 (F2).

**SNSP1 (F2):** Current Sense Signal Path. Connect this pin to SNSP2 (F1). Both pins are used to calibrate current sense matching and current limit at final test.

**HIZREG (F3):** When this pin is pulled low the power stage is disabled into high impedance. Tie this pin to  $V_{IN}$  or in TV<sub>CC</sub> for normal operation.

## PIN FUNCTIONS

**SGND (F4, G4):** Signal Ground Pin. Return ground path for all analog and low power circuitry. Tie a single connection to the output capacitor GND in the application. See layout guidelines in Figure 18.

**INTV<sub>CC</sub> (F6):** Internal 5.5V LDO for Driving the Control Circuitry in the LTM4636. INTV<sub>CC</sub> is controlled and enabled when RUNC is activated high. Tie to V<sub>IN</sub>, when  $4.7V \leq V_{IN} \leq 5.5V$ , minimum V<sub>IN</sub> = 4.2V.

**FREQ (G5):** A resistor can be applied from this pin to ground to set the operating frequency. This pin sources 20 $\mu$ A. See the Applications Information section.

**PHASMD (G7):** This pin can be voltage programmed to change the phase relationship of the CLKOUT pin with reference to the internal clock or an input synchronized clock. The INTV<sub>CC</sub> (5.5V) output can be voltage divided down to the PHASMD pin to set the particular phase. The Electrical Characteristics show the different settings to select a particular phase. See the Applications Information section.

**RUNP (G8):** This pin enables the PV<sub>CC</sub> supply. This pin can be connected to V<sub>IN</sub>, or tie to ground when connecting PV<sub>CC</sub> to  $V_{IN} \leq 5.5V$ . RUNP needs to sequence up before RUNC. A 15k resistor from PV<sub>CC</sub> to RUNC with a 0.1 $\mu$ F capacitor will provide enough delay. In parallel operation with multiple LTM4636s, the resistor can be reduced in value by N times and the 0.1 $\mu$ F can be increased N times. See Applications Information section. RUNP can be used to set the minimum UVLO with a voltage divider. See Figure 1.

**NC (G9):** No Connection.

**PV<sub>CC</sub> (F9):** 5V Power Output and Power for Internal Power MOSFET Drivers. The regulator can power 50mA of external sourcing for additional use. Place a 22 $\mu$ F ceramic filter capacitor on this pin to ground. When  $V_{IN} < 5.5V$ , tie V<sub>IN</sub>

and PV<sub>CC</sub> together along with INTV<sub>CC</sub>. Then tie RUNP to GND. If  $V_{IN} > 5.5V$  then operate PV<sub>CC</sub> regulator as normal. See the Typical Application examples.

**TEMP<sup>+</sup> (G12):** Temperature Monitor. An internal diode connected NPN transistor. See the Applications Information section.

**TEMP<sup>-</sup> (G11):** Low Side of the Internal Temperature Monitor.

**CLKOUT (G3):** Clock out signal that can be phase selected to the main internal clock or synchronized clock using the PHASMD pin. CLKOUT can be used for multiphase applications. See the Applications Information section.

**TEST1 (H4), TEST2 (F5), TEST3 (H2), TEST4 (E11), GMON (H9):** These are test pins used in the final production test of the part. Leave floating.

**V<sub>IN</sub> (H5-H6, J4-J7, K4-K8, L4-L8, M4-M8):** Power Input Pins. Apply input voltage between these pins and GND pins. Recommend placing input decoupling capacitance directly between V<sub>IN</sub> and GND pins.

**PWM (H7):** PWM output that drives the power stage. Primarily used for test, but can be monitored in debug or testing.

**TMON (H8):** Temperature Monitor Pin. Internal temperature monitor, varies from 1V at 25°C to 1.44V at 150°C, disables power stage at 150°C. If this feature is not desired, then tie the TMON pin to GND.

**SW (L11, K11):** These are pin connections to the internal switch node for test evaluation and monitoring. An R-C snubber can be placed from the switch pins to GND to eliminate any high frequency ringing. See the Applications Information section.



# BLOCK DIAGRAM

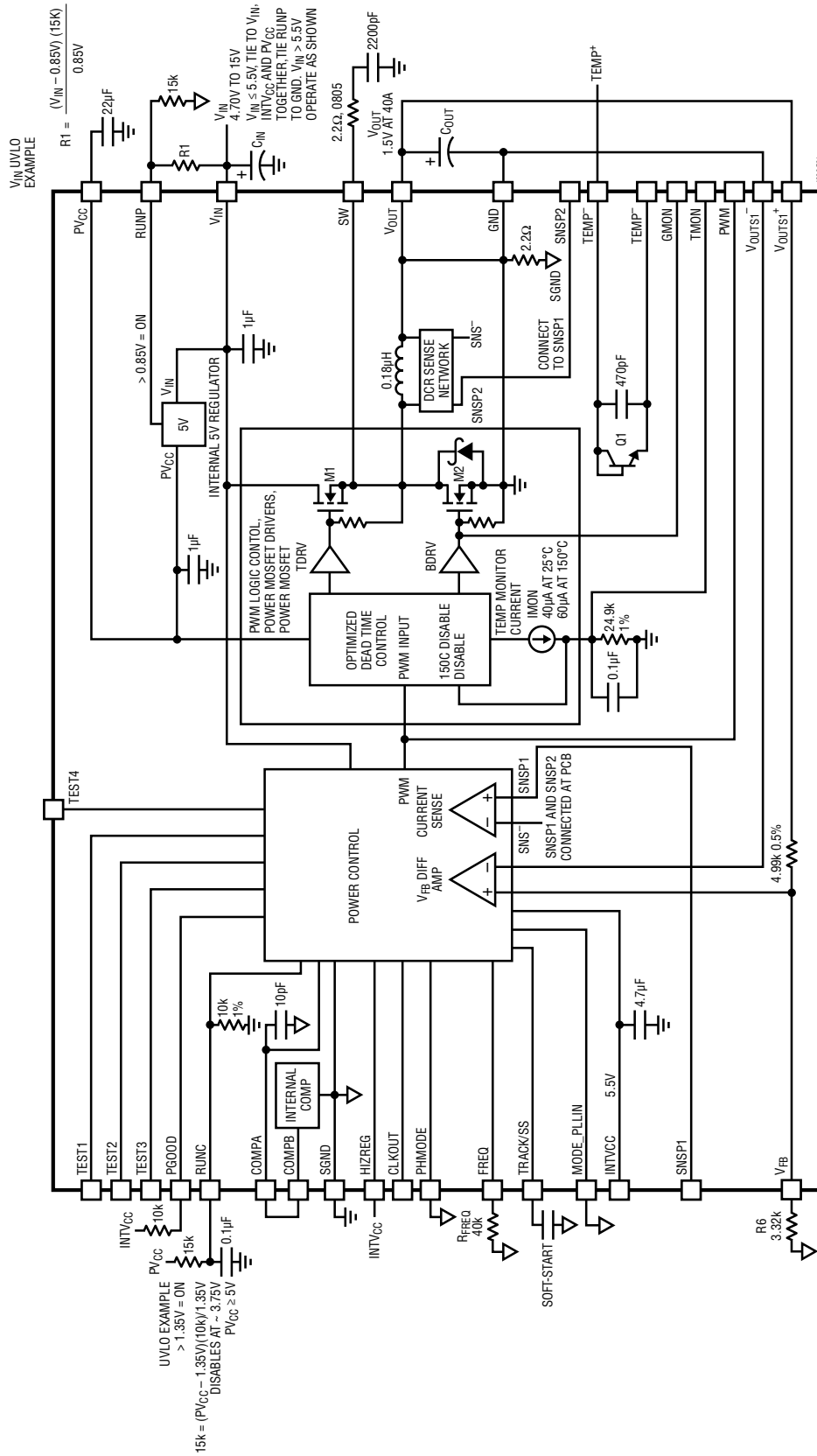


Figure 1. Simplified LTM4636 Block Diagram

## DECOUPLING REQUIREMENTS $T_A = 25^\circ\text{C}$ . Use Figure 1 configuration.

SYMBOL	PARAMETER	CONDITIONS	MIN	TYP	MAX	UNITS
$C_{IN}$	External Input Capacitor Requirement ( $V_{IN} = 4.70\text{V}$ to $16\text{V}$ , $V_{OUT} = 1.5\text{V}$ )	$I_{OUT} = 40\text{A}$ , $6 \times 22\mu\text{F}$ Ceramic X7R Capacitors (See Table 4)	100			$\mu\text{F}$
$C_{OUT}$	External Output Capacitor Requirement ( $V_{IN} = 4.70\text{V}$ to $16\text{V}$ , $V_{OUT} = 1.5\text{V}$ )	$I_{OUT} = 40\text{A}$ (See Table 4)		1000		$\mu\text{F}$

## OPERATION

### Power Module Description

The LTM4636 is a high efficiency regulator that can provide a 40A output with few external input and output capacitors. This module provides precisely regulated output voltages programmable via external resistors from 0.6V DC to 3.3V DC over a 4.70V to 15V input range. The Typical Application schematic is shown in Figure 20.

The LTM4636 has an integrated constant-frequency current mode regulator, power MOSFETs, 0.18 $\mu\text{H}$  inductor, protection circuitry, 5V regulator and other supporting discrete components. The switching frequency range is from 250kHz to 770kHz, and the typical operating frequency is 400kHz. For switching noise-sensitive applications, it can be externally synchronized from 250kHz to 800kHz, subject to minimum on-time limitations and limiting the inductor ripple current to less than 40% of maximum output current.

A single resistor is used to program the frequency. See the Applications Information section.

With current mode control and internal feedback loop compensation, the LTM4636 module has sufficient stability margins and good transient performance with a wide range of output capacitors, even with all ceramic output capacitors. An option has been provided for external loop compensation. LTpowerCAD<sup>®</sup> can be used to optimize the external compensation option. See the Applications Information section.

Current mode control provides cycle-by-cycle fast current limit in an overcurrent condition. An internal overvoltage

monitor feedback pin referred will attempt to protect the output voltage in the event of an overvoltage >10%. The top MOSFET is turned off and the bottom MOSFET is turned on until the output is cleared.

Pulling the RUNC pin below 1.1V forces the regulator controller into a shutdown state. The TRACK/SS pin is used for programming the output voltage ramp and voltage tracking during start-up. See the Applications Information section.

The LTM4636 is internally compensated to be stable over all operating conditions. Table 5 provides a guideline for input and output capacitances for several operating conditions. LTpowerCAD is available for transient and stability analysis. This tool can be used to optimize the regulators loop response.

A remote sense amplifier is provided for accurately sensing output voltages at the load point.

Multiphase operation can be easily employed with the internal clock source or a synchronization clock applied to the MODE/PLLIN input using an external clock source, and connecting the CLKOUT pins. See the Applications Information section. Review Figure 4.

High efficiency at light loads can be accomplished with selectable Burst Mode operation using the MODE\_PLLIN pin. These light load features will accommodate battery operation. Efficiency graphs are provided for light load operation in the Typical Performance Characteristics section.

A TEMP<sup>+</sup> and TEMP<sup>-</sup> pins are provided to allow the internal device temperature to be monitored using an onboard diode connected NPN transistor.

## APPLICATIONS INFORMATION

The typical LTM4636 application circuit is shown in Figure 20. External component selection is primarily determined by the maximum load current and output voltage. Refer to Table 5 for specific external capacitor requirements for particular applications.

### $V_{IN}$ to $V_{OUT}$ Step-Down Ratios

There are restrictions in the  $V_{IN}$  to  $V_{OUT}$  step-down ratio that can be achieved for a given input voltage. The maximum duty cycle is 94% typical at 500kHz operation. The  $V_{IN}$  to  $V_{OUT}$  minimum dropout is a function of load current and operation at very low input voltage and high duty cycle applications. At very low duty cycles the minimum 100ns on-time must be maintained. See the Frequency Adjustment section and temperature derating curves.

### Output Voltage Programming

The PWM controller has an internal  $0.6V \pm 1\%$  reference voltage. As shown in the Block Diagram, a 4.99k internal feedback resistor connects the  $V_{OUTS1}^+$  and  $V_{FB}$  pins together. When the remote sensing is used, then  $V_{OUTS1}^+$  and  $V_{OUTS1}^-$  are connected to the remote  $V_{OUT}$  and GND points. If no remote sense the  $V_{OUTS1}^+$  connects to  $V_{OUT}$ . The output voltage will default to 0.6V with no feedback resistor. Adding a resistor  $R_{FB}$  from  $V_{FB}$  to ground programs the output voltage:

$$V_{OUT} = 0.6V \cdot \frac{4.99k + R_{FB}}{R_{FB}}$$

**Table 1.  $V_{FB}$  Resistor Table vs Various Output Voltages**

$V_{OUT}$ (V)	0.6	1.0	1.2	1.5	1.8	2.5	3.3
$R_{FB}$ (k)	Open	7.5	4.99	3.32	2.49	1.58	1.1

For parallel operation of N LTM4636s, the following equation can be used to solve for  $R_{FB}$ :

$$R_{FB} = \frac{4.99k / N}{\frac{V_{OUT}}{0.6V} - 1}$$

Or use  $V_{OUTS1}$  on one channel and connect all feedback pins together utilizing a single feedback resistor.

Tie the  $V_{FB}$  pins together for each parallel output. The COMP pins must be tied together also. See Typical Application section examples.

### Input Capacitors

The LTM4636 module should be connected to a low AC-impedance DC source. Additional input capacitors are needed for the RMS input ripple current rating. The  $I_{CIN(RMS)}$  equation which follows can be used to calculate the input capacitor requirement. Typically 22 $\mu$ F X7R ceramics are a good choice with RMS ripple current ratings of ~4A each. A 47 $\mu$ F to 100 $\mu$ F surface mount aluminum electrolytic bulk capacitor can be used for more input bulk capacitance. This bulk input capacitor is only needed if the input source impedance is compromised by long inductive leads, traces or not enough source capacitance. If low impedance power planes are used, then this bulk capacitor is not needed.

For a buck converter, the switching duty cycle can be estimated as:

$$D = \frac{V_{OUT}}{V_{IN}}$$

Without considering the inductor ripple current, for each output the RMS current of the input capacitor can be estimated as:

$$I_{CIN(RMS)} = \frac{I_{OUT(MAX)}}{\eta\%} \cdot \sqrt{D \cdot (1-D)}$$

where  $\eta\%$  is the estimated efficiency of the power module. The bulk capacitor can be a switcher-rated aluminum electrolytic capacitor or a Polymer capacitor.

## APPLICATIONS INFORMATION

### Output Capacitors

The LTM4636 is designed for low output voltage ripple noise. The bulk output capacitors defined as  $C_{OUT}$  are chosen with low enough effective series resistance (ESR) to meet the output voltage ripple and transient requirements.  $C_{OUT}$  can be a low ESR tantalum capacitor, low ESR Polymer capacitor or ceramic capacitors. The typical output capacitance range is from 400 $\mu$ F to 1000 $\mu$ F. Additional output filtering may be required by the system designer if further reduction of output ripple or dynamic transient spikes is required. Table 5 shows a matrix of different output voltages and output capacitors to minimize the voltage droop and overshoot during a 15A/ $\mu$ s transient. The table optimizes total equivalent ESR and total bulk capacitance to optimize the transient performance. Stability criteria are considered in the Table 5 matrix, and LTpowerCAD is available for stability analysis. Multiphase operation will reduce effective output ripple as a function of the number of phases. Application Note 77 discusses this noise reduction versus output ripple current cancellation, but the output capacitance should be considered carefully as a function of stability and transient response. LTpowerCAD can be used to calculate the output ripple reduction as the number of implemented phases increases by N times. External loop compensation can be used for transient response optimization.

### Burst Mode Operation

The LTM4636 is capable of Burst Mode operation in which the power MOSFETs operate intermittently based on load demand, thus saving quiescent current. For applications where maximizing the efficiency at very light loads is a high priority, Burst Mode operation should be applied. To enable Burst Mode operation, simply float the MODE\_PLLIN pin. During Burst Mode operation, the peak current of the inductor is set to approximately 30% of the maximum peak current value in normal operation even though the voltage at the COMPA pin indicates a lower value. The voltage at the COMPA pin drops when the inductor's aver-

age current is greater than the load requirement. As the COMPA voltage drops below 0.5V, the burst comparator trips, causing the internal sleep line to go high and turn off both power MOSFETs.

In sleep mode, the internal circuitry is partially turned off, reducing the quiescent current. The load current is now being supplied from the output capacitors. When the output voltage drops, causing COMPA to rise, the internal sleep line goes low, and the LTM4636 resumes normal operation. The next oscillator cycle will turn on the top power MOSFET and the switching cycle repeats.

### Pulse-Skipping Mode Operation

In applications where low output ripple and high efficiency at intermediate currents are desired, pulse-skipping mode should be used. Pulse-skipping operation allows the LTM4636 to skip cycles at low output loads, thus increasing efficiency by reducing switching loss. Tying the MODE\_PLLIN pin to INTV<sub>CC</sub> enables pulse-skipping operation. With pulse-skipping mode at light load, the internal current comparator may remain tripped for several cycles, thus skipping operation cycles. This mode has lower ripple than Burst Mode operation and maintains a higher frequency operation than Burst Mode operation.

### Forced Continuous Operation

In applications where fixed frequency operation is more critical than low current efficiency, and where the lowest output ripple is desired, forced continuous operation should be used. Forced continuous operation can be enabled by tying the MODE\_PLLIN pin to ground. In this mode, inductor current is allowed to reverse during low output loads, the COMPA voltage is in control of the current comparator threshold throughout, and the top MOSFET always turns on with each oscillator pulse. During start-up, forced continuous mode is disabled and inductor current is prevented from reversing until the LTM4636's output voltage is in regulation.

## APPLICATIONS INFORMATION

### Multiphase Operation

For outputs that demand more than 40A of load current, multiple LTM4636 devices can be paralleled to provide more output current without increasing input and output ripple voltage. The MODE\_PLLIN pin allows the LTM4636 to be synchronized to an external clock and the internal phase-locked loop allows the LTM4636 to lock onto input clock phase as well. The FREQ resistor is selected for normal frequency, then the incoming clock can synchronize the device over the specified range.

A multiphase power supply significantly reduces the amount of ripple current in both the input and output capacitors. The RMS input ripple current is reduced by, and the effective ripple frequency is multiplied by, the number of phases used (assuming that the input voltage is greater than the number of phases used times the output voltage). The output ripple amplitude is also reduced by the number of phases used. See Application Note 77.

The LTM4636 device is an inherently current mode controlled device, so parallel modules will have good current sharing. This will balance the thermals in the design. Tie the

COMPA to COMPB and then tie the COMPA pins together, tie  $V_{FB}$  pins of each LTM4636 together to share the current evenly. Figure 21 shows a schematic of the parallel design. For external compensation and parallel operation only tie COMP A pins together with external compensation.

### Input RMS Ripple Current Cancellation

Application Note 77 provides a detailed explanation of multiphase operation. The input RMS ripple current cancellation mathematical derivations are presented, and a graph is displayed representing the RMS ripple current reduction as a function of the number of interleaved phases (see Figure 2).

### PLL, Frequency Adjustment and Synchronization

The LTM4636 switching frequency is set by a resistor ( $R_{FREQ}$ ) from the FREQ pin to signal ground. A  $20\mu\text{A}$  current ( $I_{FREQ}$ ) flowing out of the FREQ pin through  $R_{FREQ}$  develops a voltage on the FREQ pin.  $R_{FREQ}$  can be calculated as:

$$R_{FREQ} = \frac{FREQV}{20\mu\text{A}}$$

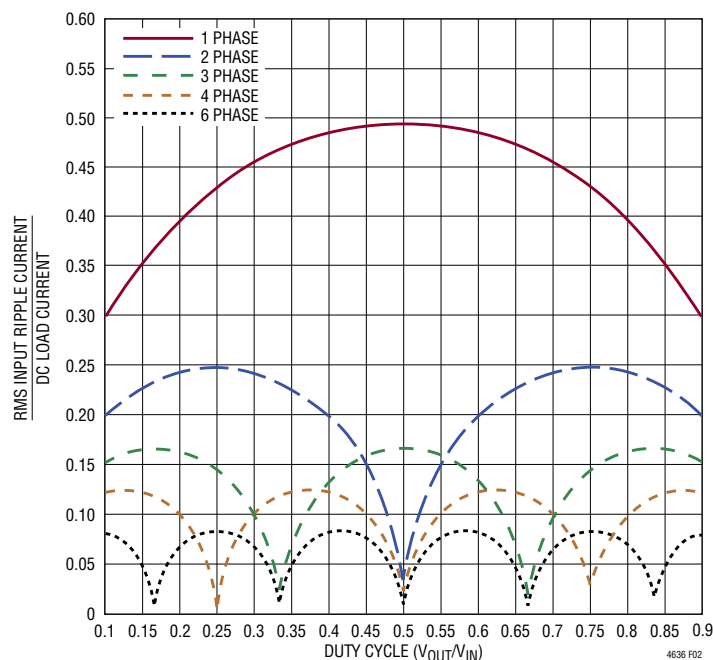


Figure 2. Normalized Input RMS Ripple Current vs Duty Cycle for One to Six  $\mu$ Module Regulators (Phases)

## APPLICATIONS INFORMATION

The relationship of FREQV voltage to switching frequency is shown in Figure 3. For low output voltages from 0.6V to 1.2V, 350kHz operation is an optimal frequency for the best power conversion efficiency while maintaining the inductor current to about 45% of maximum load current. For output voltages from 1.5V to 1.8V, 500kHz is optimal. For output voltages from 2.5V to 3.3V, 700kHz is optimal. See efficiency graphs for optimal frequency set point. Limit the 2.5V and 3.3V outputs to 35A.

The LTM4636 can be synchronized from 200kHz to 1200kHz with an input clock that has a high level above 2V and a low level below 1.2V. See the Typical Applications section for synchronization examples. The LTM4636 minimum on-time is limited to approximately 100ns. The on-time can be calculated as:

$$t_{ON(MIN)} = \frac{1}{FREQ} \cdot \left( \frac{V_{OUT}}{V_{IN}} \right)$$

The LTM4636's CLKOUT pin phase difference from  $V_{OUT}$  can be programmed by applying a voltage to the PHMODE pin. This voltage can be programmed using the 5.5V INTV<sub>CC</sub> pin. Most of the phase selections can be programmed by either grounding, floating, or tying this pin to INTV<sub>CC</sub>. The 60 degree phase shift will require 3/4 INTV<sub>CC</sub> and can be programmed with a voltage divider from the INTV<sub>CC</sub> pin. See Figure 4 for phase programming and the 2 to 6 phase connections. See Figure 27 for example design.

### Output Voltage Tracking

Output voltage tracking can be programmed externally using the TRACK/SS pin. The output can be tracked up and down with another regulator. The master regulator's output is divided down with an external resistor divider that is the same as the slave regulator's feedback divider to implement coincident tracking. The LTM4636 uses an

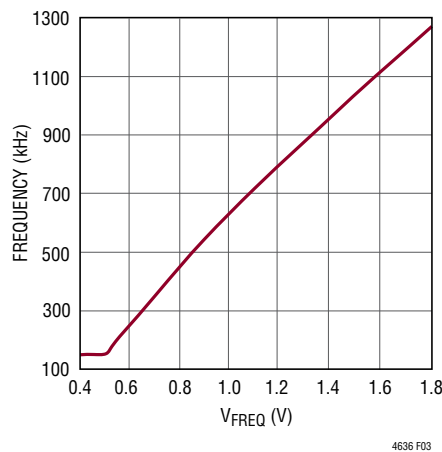


Figure 3. FREQ Voltage to Switching Frequency

## APPLICATIONS INFORMATION

accurate 4.99k resistor internally for the top feedback resistor. Figure 5 shows an example of coincident tracking.

$$V_{OUT(SLAVE)} = \left( 1 + \frac{4.99k}{R_{TA}} \right) \cdot V_{TRACK}$$

$V_{TRACK}$  is the track ramp applied to the slave's track pin.  $V_{TRACK}$  has a control range of 0V to 0.6V, or the internal reference voltage. When the master's output is divided down with the same resistor values used to set the slave's output, then the slave will coincident track with the master until it reaches its final value. The master will continue to its final value from the slave's regulation point (see Figure 6). Voltage tracking is disabled when  $V_{TRACK}$  is

more than 0.6V.  $R_{TA}$  in Figure 5 will be equal to  $R_{FB}$  for coincident tracking.

The TRACK/SS pin of the master can be controlled by an external ramp or the soft-start function of that regulator can be used to develop that master ramp. The LTM4636 can be used as a master by setting the ramp rate on its track pin using a soft-start capacitor. A 1.25 $\mu$ A current source is used to charge the soft-start capacitor. The following equation can be used:

$$t_{SOFT-START} = 0.6V \cdot \left( \frac{C_{SS}}{1.25\mu A} \right)$$

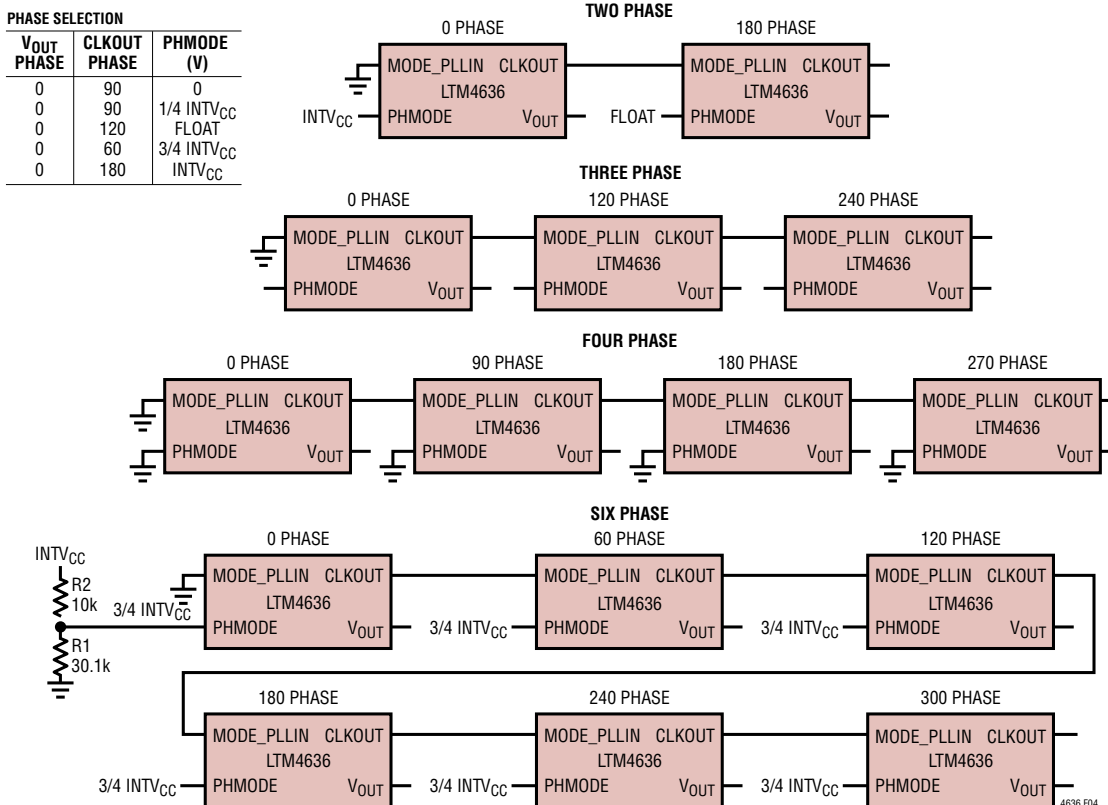
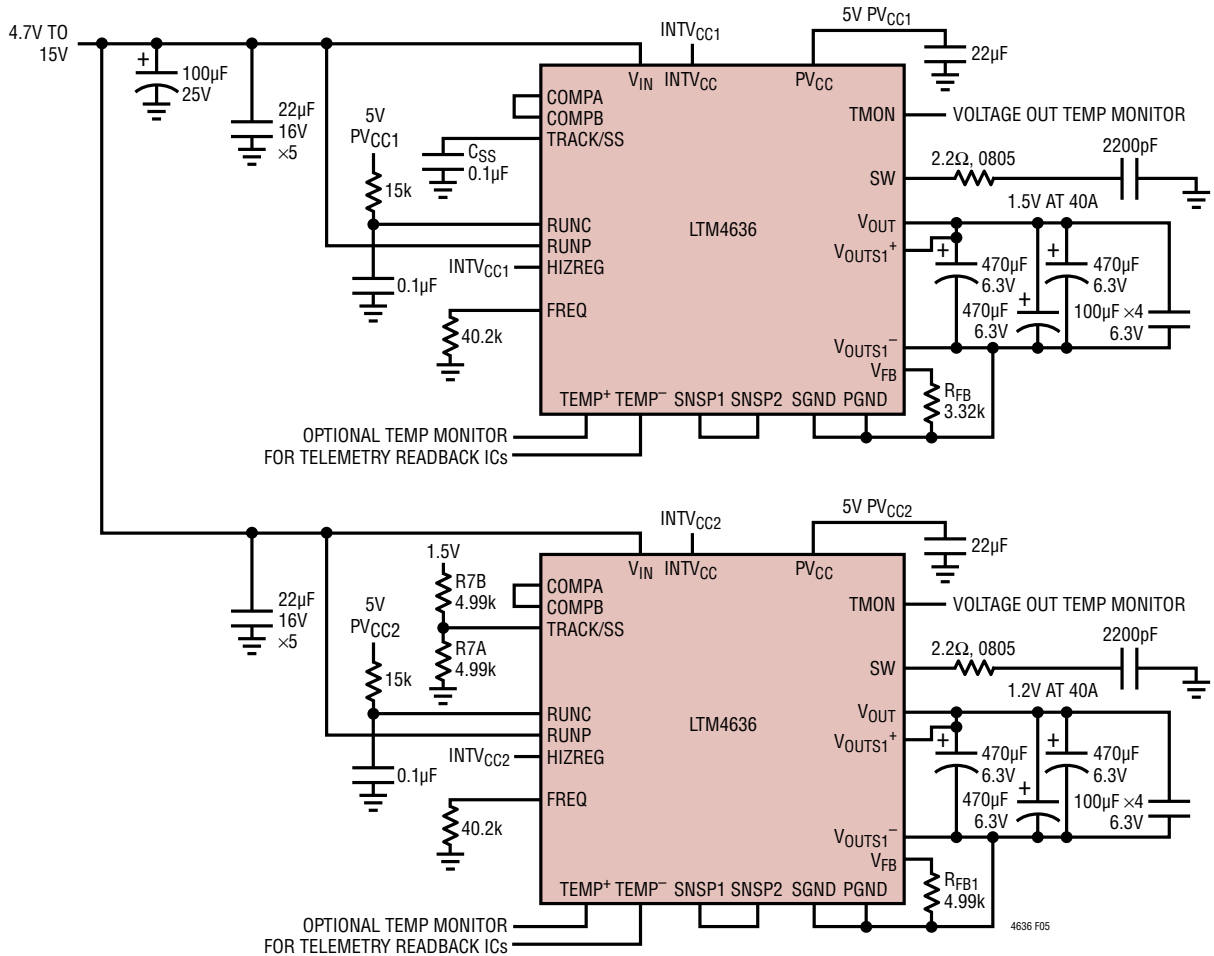


Figure 4. Phase Selection Examples

## APPLICATIONS INFORMATION



PINS NOT USED IN THIS CIRCUIT:  
 CLKOUT, GMON, MODE/PLLIN, PGOOD,  
 PHMODE, PWM, TEST1, TEST2, TEST3, TEST4

Figure 5. Dual Outputs (1.5V and 1.2V) with Tracking

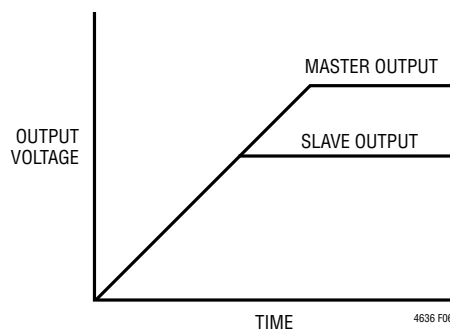


Figure 6. Output Voltage Coincident Tracking Characteristics



## APPLICATIONS INFORMATION

Ratiometric tracking can be achieved by a few simple calculations and the slew rate value applied to the master's TRACK/SS pin. As mentioned above, the TRACK/SS pin has a control range from 0V to 0.6V. The master's TRACK/SS pin slew rate is directly equal to the master's output slew rate in volts/time. The equation:

$$\frac{MR}{SR} \cdot 4.99k = R_{TB}$$

where MR is the master's output slew rate and SR is the slave's output slew rate in volts/time. When coincident tracking is desired, then MR and SR are equal, thus  $R_{TB}$  is equal to 4.99k.  $R_{TA}$  is derived from equation:

$$R_{TA} = \frac{0.6V}{\frac{V_{FB}}{4.99k} + \frac{V_{FB} - V_{TRACK}}{R_{TB}}}$$

where  $V_{FB}$  is the feedback voltage reference of the regulator, and  $V_{TRACK}$  is 0.6V. Since  $R_{TB}$  is equal to the 4.99k top feedback resistor of the slave regulator in equal slew rate or coincident tracking, then  $R_{TA}$  is equal to  $R_{FB}$  with  $V_{FB} = V_{TRACK}$ . Therefore  $R_{TB} = 4.99k$ , and  $R_{TA} = 4.99k$  in Figure 5.

In ratiometric tracking, a different slew rate maybe desired for the slave regulator.  $R_{TB}$  can be solved for when SR is slower than MR. Make sure that the slave supply slew rate is chosen to be fast enough so that the slave output voltage will reach its final value before the master output.

For example, MR = 1.5V/ms, and SR = 1.2V/ms. Then  $R_{TB} = 6.19k$ . Solve for  $R_{TA}$  to equal 4.22k.

For applications that do not require tracking or sequencing, simply tie the TRACK/SS pin to INTV<sub>CC</sub> to let RUN control the turn on/off. When the RUN pin is below its threshold or the V<sub>IN</sub> undervoltage lockout, then TRACK/SS is pulled low.

### Default Overcurrent and Overvoltage Protection

The LTM4636 has overcurrent protection (OCP) in a short circuit. The internal current comparator threshold folds back during a short to reduce the output current. An overvoltage condition (OVP) above 10% of the regulated

output voltage will force the top MOSFET off and the bottom MOSFET on until the condition is cleared. Foldback current limiting is disabled during soft-start or tracking start-up.

### Temperature Monitoring

Measuring the absolute temperature of a diode is possible due to the relationship between current, voltage and temperature described by the classic diode equation:

$$I_D = I_S \cdot e^{\left(\frac{V_D}{\eta \cdot V_T}\right)}$$

or

$$V_D = \eta \cdot V_T \cdot \ln \frac{I_D}{I_S}$$

where  $I_D$  is the diode current,  $V_D$  is the diode voltage,  $\eta$  is the ideality factor (typically close to 1.0) and  $I_S$  (saturation current) is a process dependent parameter.  $V_T$  can be broken out to:

$$V_T = \frac{k \cdot T}{q}$$

where T is the diode junction temperature in Kelvin, q is the electron charge and k is Boltzmann's constant.  $V_T$  is approximately 26mV at room temperature (298K) and scales linearly with Kelvin temperature. It is this linear temperature relationship that makes diodes suitable temperature sensors. The  $I_S$  term in the previous equation is the extrapolated current through a diode junction when the diode has zero volts across the terminals. The  $I_S$  term varies from process to process, varies with temperature, and by definition must always be less than  $I_D$ . Combining all of the constants into one term:

$$K_D = \frac{\eta \cdot k}{q}$$

where  $K_D = 8.62 \cdot 10^{-5}$ , and knowing  $\ln(I_D/I_S)$  is always positive because  $I_D$  is always greater than  $I_S$ , leaves us with the equation that:

$$V_D = T(\text{KELVIN}) \cdot K_D \cdot \ln \frac{I_D}{I_S}$$

## APPLICATIONS INFORMATION

where  $V_D$  appears to increase with temperature. It is common knowledge that a silicon diode biased with a current source has an approximate  $-2\text{mV}/^\circ\text{C}$  temperature relationship (Figure 7), which is at odds with the equation. In fact, the  $I_S$  term increases with temperature, reducing the  $\ln(I_D/I_S)$  absolute value yielding an approximate  $-2\text{mV}/^\circ\text{C}$  composite diode voltage slope.

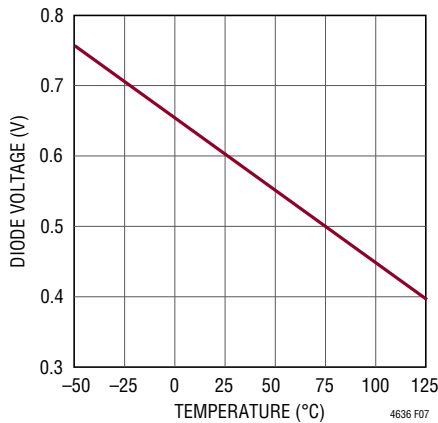


Figure 7. Diode Voltage  $V_D$  vs Temperature  $T(^\circ\text{C})$

To obtain a linear voltage proportional to temperature we cancel the  $I_S$  variable in the natural logarithm term to remove the  $I_S$  dependency from the equation 1. This is accomplished by measuring the diode voltage at two currents  $I_1$ , and  $I_2$ , where  $I_1 = 10 \cdot I_2$  and subtracting we get:

$$\Delta V_D = T(\text{KELVIN}) \cdot K_D \cdot \ln \frac{I_1}{I_S} - T(\text{KELVIN}) \cdot K_D \cdot \ln \frac{I_2}{I_S}$$

Combining like terms, then simplifying the natural log terms yields:

$$\Delta V_D = T(\text{KELVIN}) \cdot K_D \cdot \ln(10)$$

and redefining constant

$$K'_D = K_D \cdot \ln(10) = \frac{198\mu\text{V}}{\text{K}}$$

yields

$$\Delta V_D = K'_D \cdot T(\text{KELVIN})$$

Solving for temperature:

$$T(\text{KELVIN}) = \frac{\Delta V_D}{K'_D} \text{ (}^\circ\text{CELSIUS)} = T(\text{KELVIN}) - 273.15$$

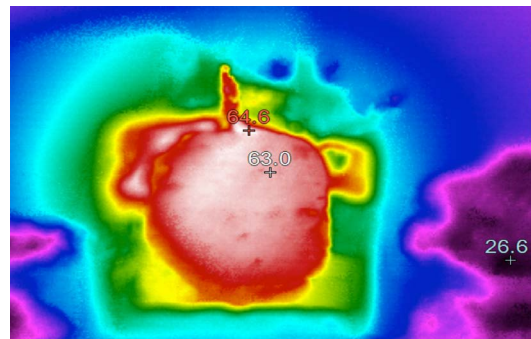
where

$$300^\circ\text{K} = 27^\circ\text{C}$$

means that if we take the difference in voltage across the diode measured at two currents with a ratio of 10, the resulting voltage is  $198\mu\text{V}$  per Kelvin of the junction with a zero intercept at 0 Kelvin.

The diode connected NPN transistor at the TEMP pin can be used to monitor the internal temperature of the LTM4636.

$V_{IN}$	$V_{OUT}$	$I_{OUT}$	AIR FLOW
12	1	40	200 LFM



$V_{IN}$	$V_{OUT}$	$I_{OUT}$	AIR FLOW
12	3.3	35	200 LFM

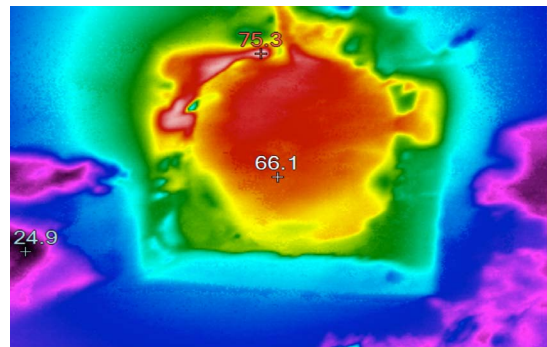


Figure 8. The Two Images Show the LTM4636 Operating at 1V at 40A and 3.3V at 35A from a 12V Input. Both Images Reflect Only a  $40^\circ\text{C}$  to  $45^\circ\text{C}$  Rise Above Ambient at Full Load Current with 200LFM.

## APPLICATIONS INFORMATION

### Overtemperature Protection

The LTM4636 has an overtemperature enhanced protection features that can be used to detect overtemperature. The overtemperature feature uses the TMON pin voltage to monitor temperature. This pin varies from 0.994V at 25°C to 1.494 at 150°C, and will tripoff at  $\geq 150^\circ\text{C}$ . Tying TMON to ground disable this feature.

### RUNP and RUNC Enable

The RUNP pin is used to enable the 5V PV<sub>CC</sub> supply that powers the power driver stage and enables the power stage ~1ms later. The RUNC pin is used to enable the control section that drives the power stage. The RUNP needs to be enabled first, and then RUNC. RUNP has a 0.85V threshold and can be connected to the input voltage and RUNC has a 1.35V threshold and a 10k resistor to ground. See the Block Diagram for details. A 0.1μF capacitor from the RUNC pin to ground is used to set the delay for RUNC enable.

### INTV<sub>CC</sub> and PV<sub>CC</sub> Regulators

The LTM4636 has an internal low dropout regulator from V<sub>IN</sub> called INTV<sub>CC</sub>. This regulator output has a 4.7μF ceramic capacitor internal. This regulator powers the control section. The PV<sub>CC</sub> 5V regulator supplies power to the power MOSFET driver stage. An additional 50mA can be used from this 5V PV<sub>CC</sub> supply for other needs. The input supply source resistance needs to be very low in order to minimize IR drops when operating from a 5V input source. Depending on the output voltage and current, the input supply can source large current, and PV<sub>CC</sub> 5V regulator needs a minimum 4.70V supply. Additional input capacitance maybe needed for 5V inputs to limit the input droop.

### Stability Compensation

The LTM4636 has already been internally compensated when COMPB is tied to COMPA for all output voltages. Table 5 is provided for most application requirements. For specific optimized requirements, disconnect COMPB from COMPA, and use LTpowerCAD to perform specific control loop optimization. Then select the desired external compensation and output capacitance for the desired optimized response.

### SW Pins

The SW pins are generally for testing purposes by monitoring these pins. These pins can also be used to dampen out switch node ringing caused by LC parasitic in the switched current paths. Usually a series R-C combination is used called a snubber circuit. The resistor will dampen the resonance and the capacitor is chosen to only affect the high frequency ringing across the resistor. If the stray inductance or capacitance can be measured or approximated then a somewhat analytical technique can be used to select the snubber values. The inductance is usually easier to predict. It combines the power path board inductance in combination with the MOSFET interconnect bond wire inductance.

First the SW pin can be monitored with a wide bandwidth scope with a high frequency scope probe. The ring frequency can be measured for its value. The impedance Z can be calculated:

$$Z(L) = 2\pi fL,$$

where f is the resonant frequency of the ring, and L is the total parasitic inductance in the switch path. If a resistor is selected that is equal to Z, then the ringing should be dampened. The snubber capacitor value is chosen so that its impedance is equal to the resistor at the ring frequency. Calculated by:  $Z(C) = 1/(2\pi fC)$ . These values are a good place to start with. Modification to these components should be made to attenuate the ringing with the least amount of power loss. A recommended value of 2.2Ω in series with 2200pF to ground should work for most applications. See Figure 19 for guideline. The 2.2Ω resistor should be an 0805 size.

### Thermal Considerations and Output Current Derating

The thermal resistances reported in the Pin Configuration section of the data sheet are consistent with those parameters defined by JESD51-12 and are intended for use with finite element analysis (FEA) software modeling tools that leverage the outcome of thermal modeling, simulation, and correlation to hardware evaluation performed on a μModule package mounted to a hardware test board. The motivation for providing these thermal coefficients in found in JESD51-12 (“Guidelines for Reporting and Using Electronic Package Thermal Information”).

## APPLICATIONS INFORMATION

Many designers may opt to use laboratory equipment and a test vehicle such as the demo board to predict the  $\mu$ Module regulator's thermal performance in their application at various electrical and environmental operating conditions to compliment any FEA activities. Without FEA software, the thermal resistances reported in the Pin Configuration section are, in and of themselves, not relevant to providing guidance of thermal performance; instead, the derating curves provided in this data sheet can be used in a manner that yields insight and guidance pertaining to one's application usage, and can be adapted to correlate thermal performance to one's own application.

The Pin Configuration section gives four thermal coefficients explicitly defined in JESD51-12; these coefficients are quoted or paraphrased below:

1.  $\theta_{JA}$ , the thermal resistance from junction to ambient, is the natural convection junction-to-ambient air thermal resistance measured in a one cubic foot sealed enclosure. This environment is sometimes referred to as "still air" although natural convection causes the air to move. This value is determined with the part mounted to a 95mm  $\times$  76mm PCB with four layers.
2.  $\theta_{JCbottom}$ , the thermal resistance from junction to the bottom of the product case, is determined with all of the component power dissipation flowing through the bottom of the package. In the typical  $\mu$ Module regulator, the bulk of the heat flows out the bottom of the pack-

age, but there is always heat flow out into the ambient environment. As a result, this thermal resistance value may be useful for comparing packages but the test conditions don't generally match the user's application.

3.  $\theta_{JCtop}$ , the thermal resistance from junction to top of the product case, is determined with nearly all of the component power dissipation flowing through the top of the package. As the electrical connections of the typical  $\mu$ Module regulator are on the bottom of the package, it is rare for an application to operate such that most of the heat flows from the junction to the top of the part. As in the case of  $\theta_{JCbottom}$ , this value may be useful for comparing packages but the test conditions don't generally match the user's application.
4.  $\theta_{JB}$ , the thermal resistance from junction to the printed circuit board, is the junction-to-board thermal resistance where almost all of the heat flows through the bottom of the  $\mu$ Module package and into the board, and is really the sum of the  $\theta_{JCbottom}$  and the thermal resistance of the bottom of the part through the solder joints and a portion of the board. The board temperature is measured a specified distance from the package.

A graphical representation of the aforementioned thermal resistances is given in Figure 9; blue resistances are contained within the  $\mu$ Module regulator, whereas green resistances are external to the  $\mu$ Module package.

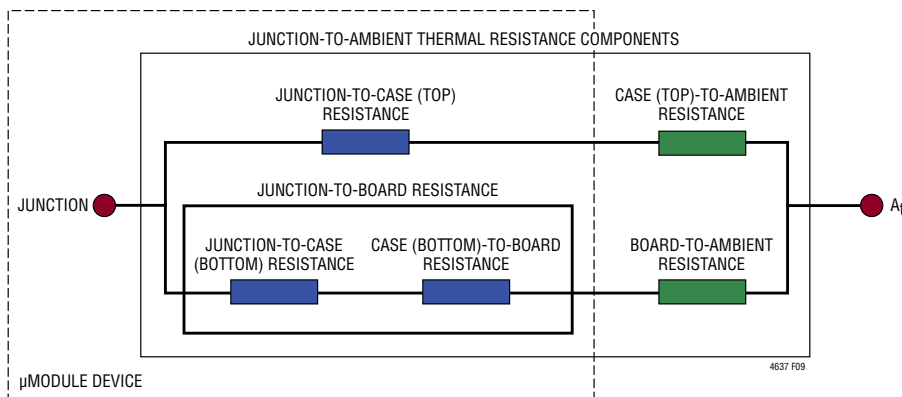


Figure 9. Graphical Representation of JESD51-12 Thermal Coefficients

## APPLICATIONS INFORMATION

As a practical matter, it should be clear to the reader that no individual or sub-group of the four thermal resistance parameters defined by JESD51-12 or provided in the Pin Configuration section replicates or conveys normal operating conditions of a  $\mu$ Module regulator. For example, in normal board-mounted applications, never does 100% of the device's total power loss (heat) thermally conduct exclusively through the top or exclusively through the bottom of the  $\mu$ Module package—as the standard defines for  $\theta_{JCtop}$  and  $\theta_{JCbottom}$ , respectively. In practice, power loss is thermally dissipated in both directions away from the package—granted, in the absence of a heat sink and airflow, a majority of the heat flow is into the board.

Within the LTM4636, be aware there are multiple power devices and components dissipating power, with a consequence that the thermal resistances relative to different junctions of components or die are not exactly linear with respect to total package power loss. To reconcile this complication without sacrificing modeling simplicity—but also not ignoring practical realities—an approach has been taken using FEA software modeling along with laboratory testing in a controlled-environment chamber to reasonably define and correlate the thermal resistance values supplied in this data sheet: (1) Initially, FEA software is used to accurately build the mechanical geometry of the LTM4636 and the specified PCB with all of the correct material coefficients along with accurate power loss source definitions; (2) this model simulates a software-defined JEDEC environment consistent with JESD51-12 to predict power loss heat flow and temperature readings at different interfaces that enable the calculation of the JEDEC-defined thermal resistance values; (3) the model and FEA software is used to evaluate the LTM4636 with heat sink and airflow; (4) having solved for and analyzed these thermal resistance values and simulated various operating conditions in the software model, a thorough laboratory evaluation replicates the simulated conditions with thermocouples within a controlled-environment chamber while operating the device at the same power loss as that which was simulated. The outcome of this process and due diligence yields the set of derating curves shown in this data sheet.

The power loss curves in Figures 10 to 12 can be used in coordination with the load current derating curves in Figures 13 to 18 for calculating an approximate  $\theta_{JA}$  thermal resistance for the LTM4636 with various airflow conditions. The power loss curves are taken at room temperature and can be increased with a multiplicative factor according to the junction temperature, which is  $\sim 1.4$  for  $120^{\circ}\text{C}$ . The derating curves are plotted with the output current starting at 40A and the ambient temperature increased. The output voltages are 1V, 2.5V and 3.3V. These are chosen to include the lower, middle and higher output voltage ranges for correlating the thermal resistance. Thermal models are derived from several temperature measurements in a controlled temperature chamber along with thermal modeling analysis. The junction temperatures are monitored while ambient temperature is increased with and without airflow. The power loss increase with ambient temperature change is factored into the derating curves. The junctions are maintained at  $\sim 125^{\circ}\text{C}$  maximum while lowering output current or power with increasing ambient temperature. The decreased output current will decrease the internal module loss as ambient temperature is increased. The monitored junction temperature of  $125^{\circ}\text{C}$  minus the ambient operating temperature specifies how much module temperature rise can be allowed. As an example, in Figure 14 the load current is derated to  $\sim 30\text{A}$  at  $\sim 94^{\circ}\text{C}$  with no air flow and the power loss for the 12V to 1.0V at 30A output is about 4.2W. The 4.2W loss is calculated with the  $\sim 3\text{W}$  room temperature loss from the 12V to 1.0V power loss curve at 30A, and the 1.4 multiplying factor at  $125^{\circ}\text{C}$  junction. If the  $94^{\circ}\text{C}$  ambient temperature is subtracted from the  $125^{\circ}\text{C}$  junction temperature, then the difference of  $31^{\circ}\text{C}$  divided by 4.2W equals a  $7.4^{\circ}\text{C}/\text{W}$   $\theta_{JA}$  thermal resistance. Table 2 specifies a  $7.2^{\circ}\text{C}/\text{W}$  value which is very close. Tables 2, 3, and 4 provide equivalent thermal resistances for 1V, 1.5V and 3.3V outputs with and without airflow and heat sinking. The derived thermal resistances in Tables 2 thru 4 for the various conditions can be multiplied by the calculated power loss as a function of ambient temperature to derive temperature rise above

APPLICATIONS INFORMATION

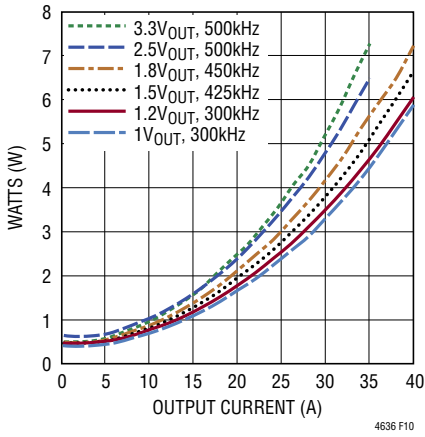


Figure 10. 5V Input Power Loss Curves

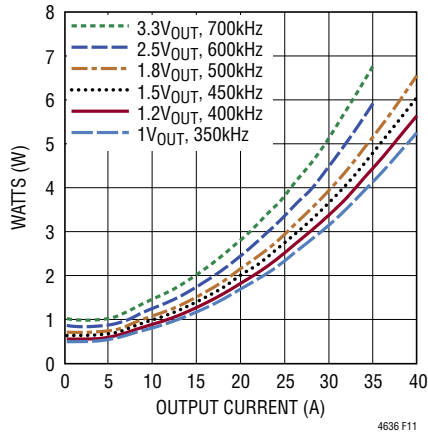


Figure 11. 8V Input Power Loss Curves

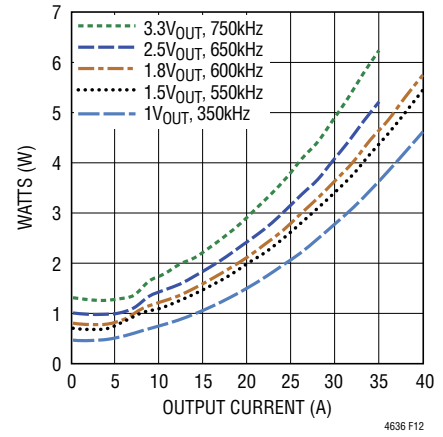


Figure 12. 12V Input Power Loss Curves

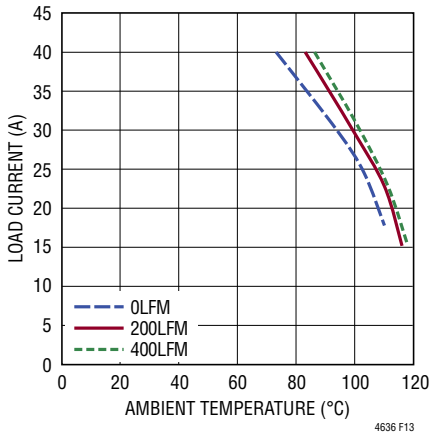


Figure 13. 5VIN, 1VOUT Derate Curve

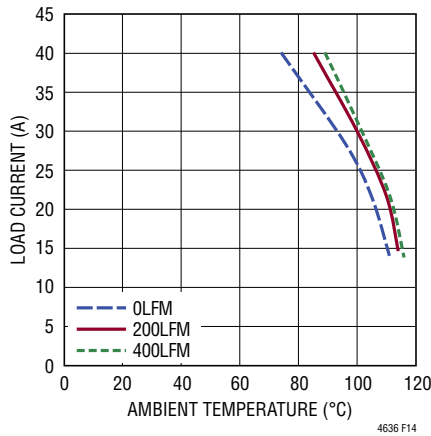


Figure 14. 12VIN, 1VOUT Derate Curve

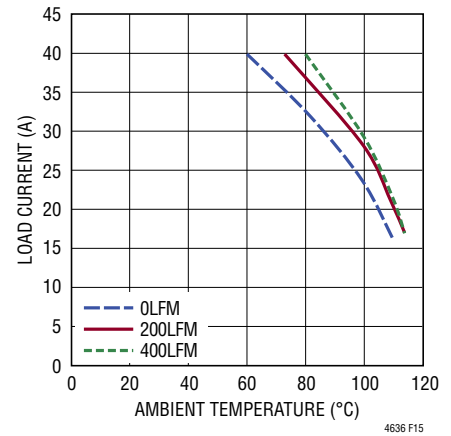


Figure 15. 5VIN, 1.5VOUT Derate Curve

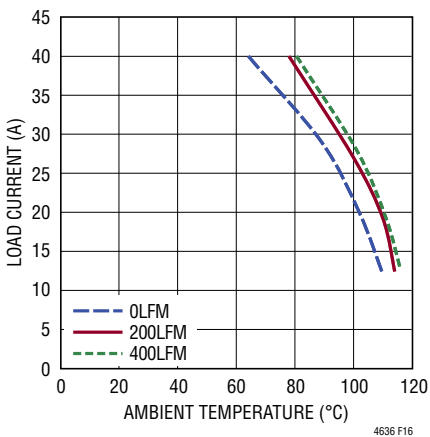


Figure 16. 12VIN, 1.5VOUT Derate Curve

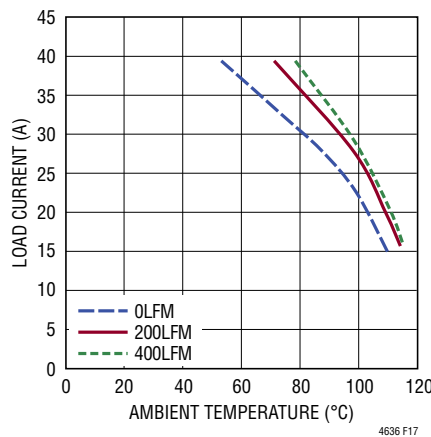


Figure 17. 5VIN, 3.3VOUT Derate Curve

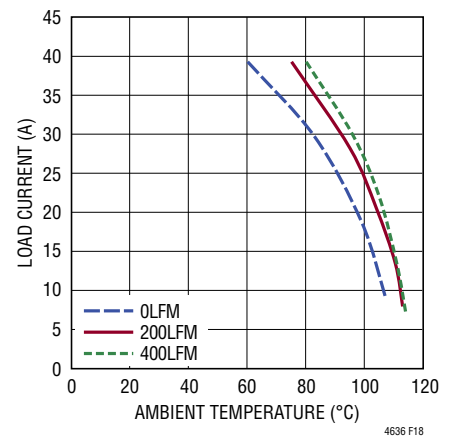


Figure 18. 12VIN, 3.3VOUT Derate Curve

## APPLICATIONS INFORMATION

**Table 2. 1V Output**

DERATING CURVE	V <sub>IN</sub>	POWER LOSS CURVE	AIRFLOW (LFM)	θ <sub>JA</sub> (°C/W)
Figures 13, 14	5V, 12V	Figure 10, 12	0	7.2
Figures 13, 14	5V, 12V	Figure 10, 12	200	5.4
Figures 13, 14	5V, 12V	Figure 10, 12	400	4.8

**Table 3. 1.5V Output**

DERATING CURVE	V <sub>IN</sub>	POWER LOSS CURVE	AIRFLOW (LFM)	θ <sub>JA</sub> (°C/W)
Figures 15, 16	5V, 12V	Figure 10, 12	0	7.4
Figures 15, 16	5V, 12V	Figure 10, 12	200	5.0
Figures 15, 16	5V, 12V	Figure 10, 12	400	4.5

**Table 4. 3.3V**

DERATING CURVE	V <sub>IN</sub>	POWER LOSS CURVE	AIRFLOW (LFM)	θ <sub>JA</sub> (°C/W)
Figures 17, 18	12V	Figure 10, 12	0	7.4
Figures 17, 18	12V	Figure 10, 12	200	5.0
Figures 17, 18	12V	Figure 10, 12	400	4.4

**Table 5. LTM4636 Capacitor Matrix, All Below Parameters are Typical and are Dependent on Board Layout**

Taiyo Yuden	22μF, 25V	C3216X7S0J226M	Panasonic SP	470μF 2.5V	EEFGX0E471R	Sanyo	20SEP100M	100μF 20V
Murata	22μF, 25V	GRM31CR61C226KE15L	Sanyo POSCAP	470μF 2R5	2R5TPD470M5			
Murata	100μF, 6.3V	GRM32ER60J107M	Sanyo POSCAP	470μF 6.3V	6TPD470M5			
AVX	100μF, 6.3V	18126D107MAT						
Taiyo Yuden	220μF, 4V							
Murata	220μF, 4V							

## APPLICATIONS INFORMATION

V <sub>OUT</sub> (V)	C <sub>IN</sub> (CERAMIC)	C <sub>IN</sub> (BULK)	C <sub>OUT1</sub> (CERAMIC) AND C <sub>OUT2</sub> (CERAMIC AND BULK)	C <sub>FF</sub> (pf)	C <sub>COMP</sub> (pf)	V <sub>IN</sub> (V)	DROOP (mV)	PEAK-TO-PEAK DEVIATION (mV)	RECOVERY TIME (μs)	LOAD STEP (A/μs)	R <sub>FB</sub> (kΩ)	FREQ (kHz)
0.9	22μF × 5	100μF	100μF × 8, 470μF × 3	22	100	5, 12	38	76	40	15	10	350
0.9	22μF × 5	100μF	220μF × 6, 470μF × 2	68	100	5, 12	40	80	30	15	10	350
0.9	22μF × 5	100μF	220μF × 10, 470μF	None	220	5, 12	40	80	30	15	10	350
1	22μF × 5	100μF	100μF × 4, 470μF × 3	None	100	5, 12	40	80	30	15	7.5	350
1	22μF × 5	100μF	100μF × 6, 470μF × 2	None	100	5, 12	50	100	30	15	7.5	350
1	22μF × 5	100μF	100μF × 8, 470μF × 2	None	150	5, 12	55	105	30	15	7.5	350
1.2	22μF × 5	100μF	100μF × 4, 470μF × 3	None	100	5, 12	45	90	35	15	4.99	350
1.2	22μF × 5	100μF	100μF × 6, 470μF × 2	None	100	5, 12	45	90	35	15	4.99	400
1.2	22μF × 5	100μF	220μF × 4, 470μF	None	100	5, 12	50	104	30	15	4.99	400
1.5	22μF × 5	100μF	100μF × 4, 470μF × 3	None	100	5, 12	60	120	35	15	3.32	425
1.5	22μF × 5	100μF	100μF × 4, 470μF × 2	None	100	5, 12	56	110	35	15	3.32	425
1.5	22μF × 5	100μF	100μF × 3, 470μF	None	100	5, 12	75	150	25	15	3.32	425
1.8	22μF × 5	100μF	100μF × 3, 470μF	None	220	5, 12	90	180	25	15	2.49	500
1.8	22μF × 5	100μF	100μF, 470μF	None	220	5, 12	95	197	24	15	2.49	500
1.8	22μF × 5	100μF	220μF × 2, 470μF	None	220	5, 12	90	180	20	15	2.49	500
2.5	22μF × 5	100μF	100μF × 2, 470μF	None	220	5, 12	120	220	30	15	1.58	650 (12V) 500 (5V)
2.5	22μF × 5	100μF	100μF × 6, 470μF	22	220	5, 12	87	174	40	15	1.58	650 (12V) 500 (5V)
3.3	22μF × 5	100μF	100μF × 4	220	220	5, 12	130	260	25	15	1.1	750 (12V) 500 (5V)
3.3	22μF × 5	100μF	100μF, 470μF	None	220	5, 12	140	280	30	15	1.1	750 (12V) 500 (5V)

Table 6. Enhanced External Compensation, Lower Voltage Transition During Transient. Careful Power Integrity Layout Required

V <sub>OUT</sub> (V)	C <sub>IN</sub> (CERAMIC)	C <sub>IN</sub> (BULK) <sup>†</sup>	C <sub>OUT1</sub> (CERAMIC) AND C <sub>OUT2</sub> (CERAMIC AND BULK)	C <sub>FF</sub> (pf)	C <sub>COMP</sub> (pf)	V <sub>IN</sub> (V)	DROOP (mV)	PEAK-TO-PEAK DEVIATION (mV)	RECOVERY TIME (μs)	LOAD STEP (A/μs)	R <sub>FB</sub> (kΩ)	FREQ (kHz)	R <sub>COMP</sub> (k)	C <sub>COMP</sub> (pF)
0.9	22μF × 5	100μF	220μF × 10, 470μF	47	100	5, 12	25	50	26	15	10	350	15k	1000
1	22μF × 5	100μF	220μF × 10, 470μF	47	100	5, 12	28	55	25	15	7.5	350	15k	1000
1.2	22μF × 5	100μF	220μF × 10, 470μF	47	100	5, 12	33	66	30	15	4.99	350	15k	1000

<sup>†</sup> Bulk capacitance is optional if V<sub>IN</sub> has very low input impedance.  
C<sub>FF</sub> is a capacitor from V<sub>OUT</sub> to V<sub>FB</sub> pin.



## APPLICATIONS INFORMATION

ambient, thus maximum junction temperature. Room temperature power loss curves are provided in Figures 10 through 12. The printed circuit board is a 1.6mm thick six layer board with two ounce copper for all layers and one ounce copper for the two inner layers. The PCB dimensions are 95mm × 76mm.

### Safety Considerations

The LTM4636 does not provide galvanic isolation from  $V_{IN}$  to  $V_{OUT}$ . There is no internal fuse. If required, a slow blow fuse with a rating twice the maximum input current needs to be provided to protect each unit from catastrophic failure.

The fuse or circuit breaker should be selected to limit the current to the regulator during overvoltage in case of an internal top MOSFET fault. If the internal top MOSFET fails, then turning it off will not resolve the overvoltage, thus the internal bottom MOSFET will turn on indefinitely trying to protect the load. Under this fault condition, the input voltage will source very large currents to ground through the failed internal top MOSFET and enabled internal bottom MOSFET. This can cause excessive heat and board damage depending on how much power the input voltage can deliver to this system. A fuse or circuit breaker can be used as a secondary fault protector in this situation. The LTM4636 has the enhanced over temperature protection discussed earlier and schematic applications will be shown at the end of the data sheet.

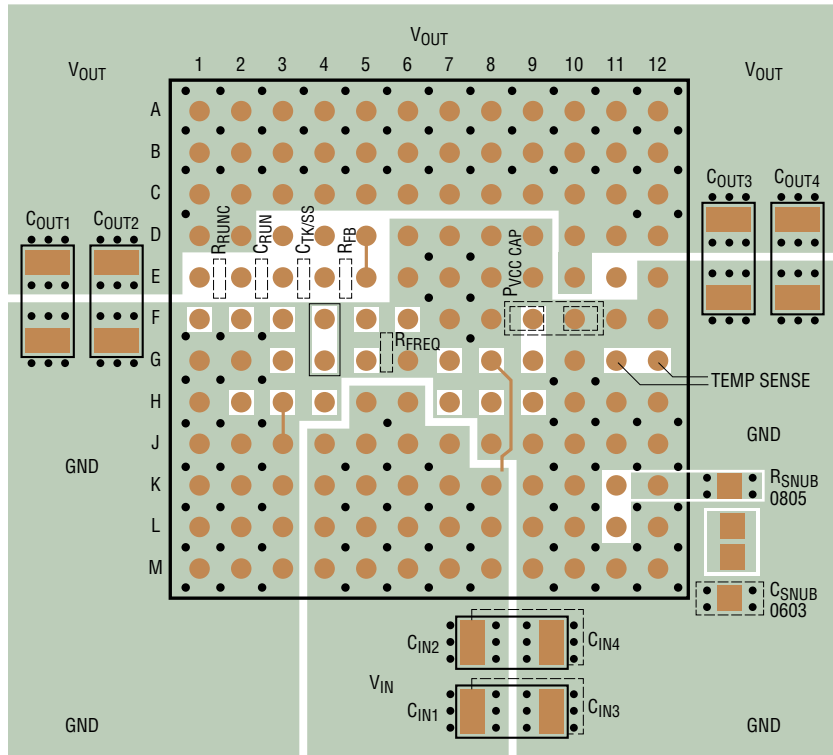
### Layout Checklist/Example

The high integration of the LTM4636 makes the PCB board layout very simple and easy. However, to optimize its electrical and thermal performance, some layout considerations are still necessary.

- Use large PCB copper areas for high current paths, including  $V_{IN}$ , GND and  $V_{OUT}$ . It helps to minimize the PCB conduction loss and thermal stress.
- Place high frequency ceramic input and output capacitors next to the  $V_{IN}$ , GND and  $V_{OUT}$  pins to minimize high frequency noise.
- Place a dedicated power ground layer underneath the unit.
- To minimize the via conduction loss and reduce module thermal stress, use multiple vias for interconnection between top layer and other power layers.
- Do not put vias directly on the pad, unless they are capped or plated over.
- Place test points on signal pins for testing.
- Use a separated SGND ground copper area for components connected to signal pins. Connect the SGND to GND underneath the unit.
- For parallel modules, tie the COMP and  $V_{FB}$  pins together. Use an internal layer to closely connect these pins together.
- $R_{SNUB}$  and  $C_{SNUB}$  (2.2Ω and 2200pf) values to dampen switch ringing.

Figure 19 gives a good example of the recommended layout.

APPLICATIONS INFORMATION



4636 F19

Figure 19. Recommended PCB Layout

TYPICAL APPLICATIONS

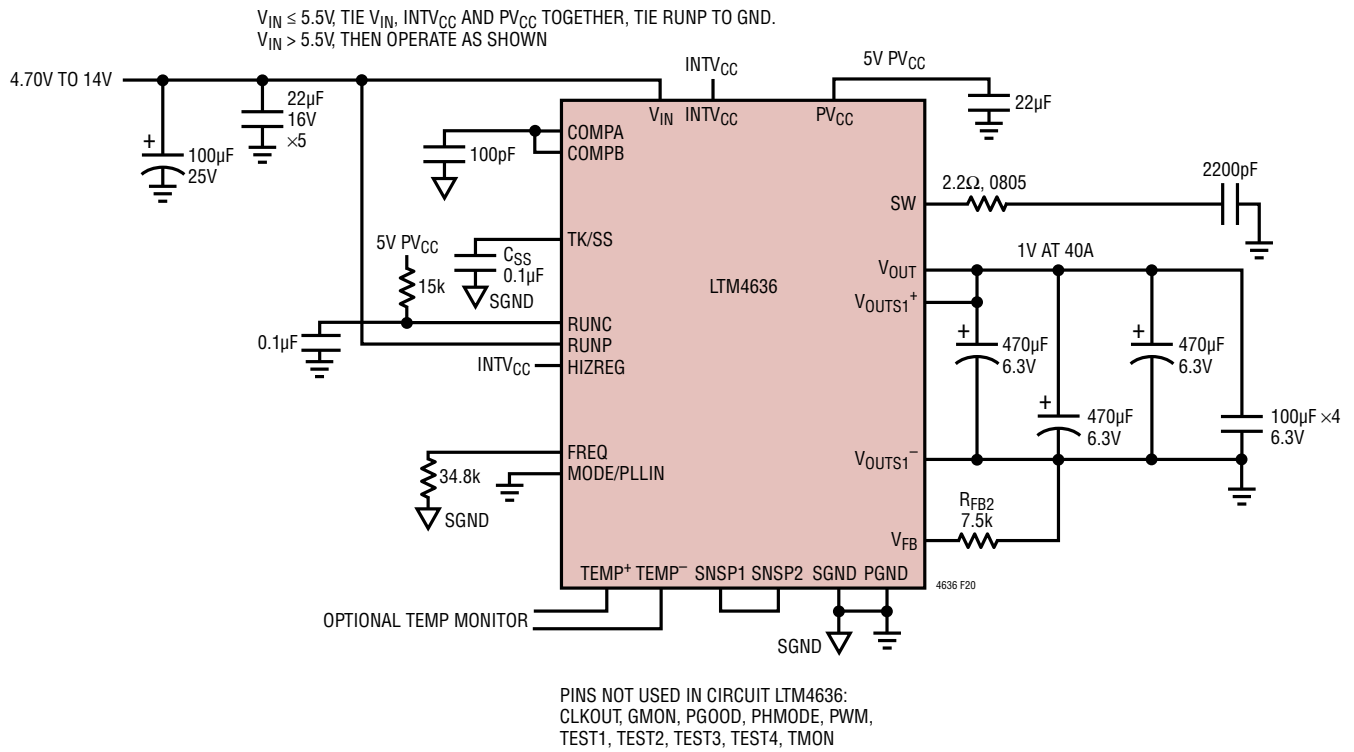
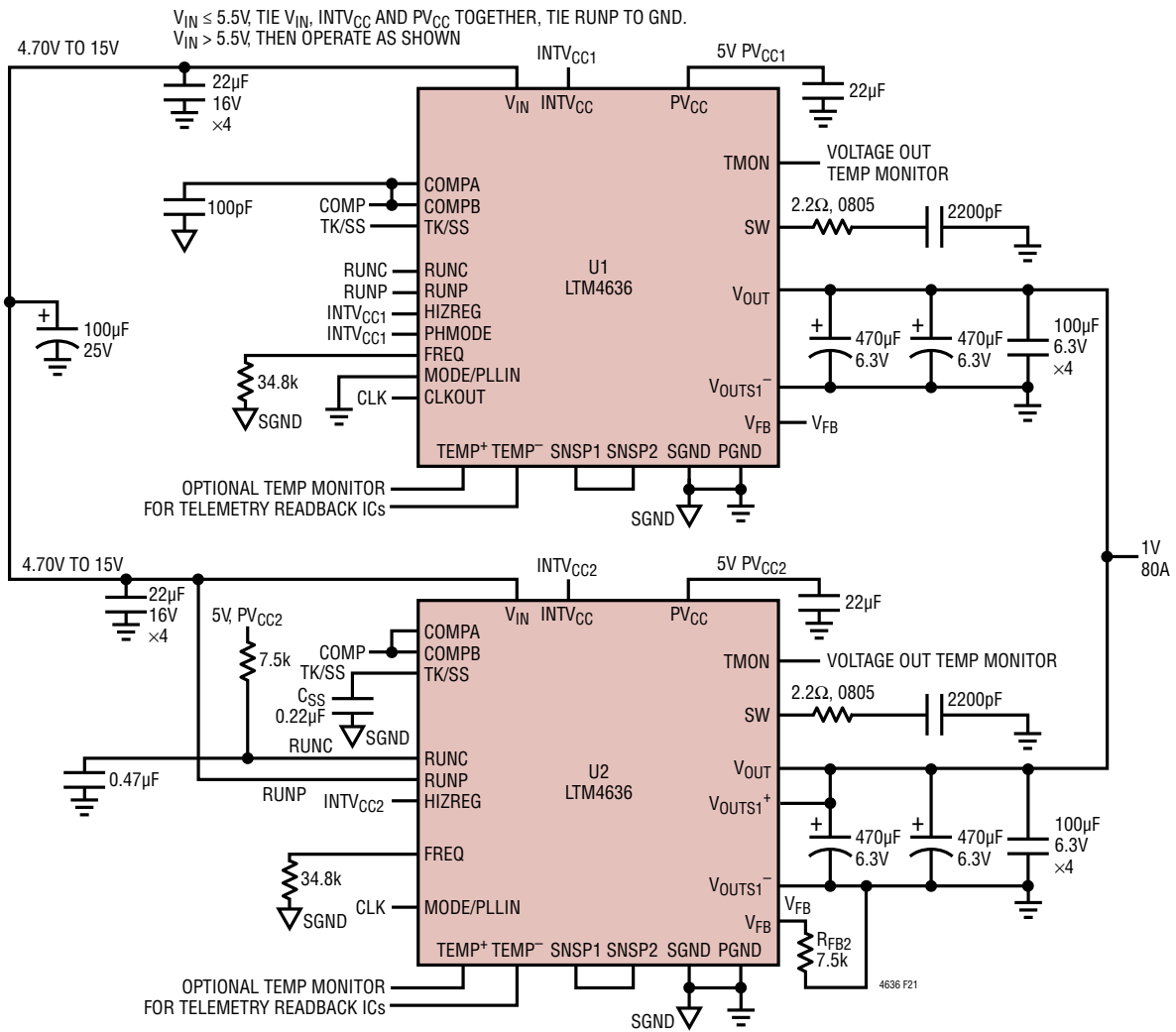


Figure 20. 4.70V to 15V, 1V at 40A Design

## TYPICAL APPLICATIONS



PINS NOT USED IN CIRCUIT LTM4636 U1:  
 GMON, PGOOD, PWM, TEST1, TEST2, TEST3,  
 TEST4,  $V_{OSNS1}$

PINS NOT USED IN CIRCUIT LTM4636 U2:  
 GMON, PGOOD, PHMODE, PWM, TEST1, TEST2,  
 TEST3, TEST4

Figure 21. 2-Phase 1V, 80A Regulator Design

TYPICAL APPLICATIONS

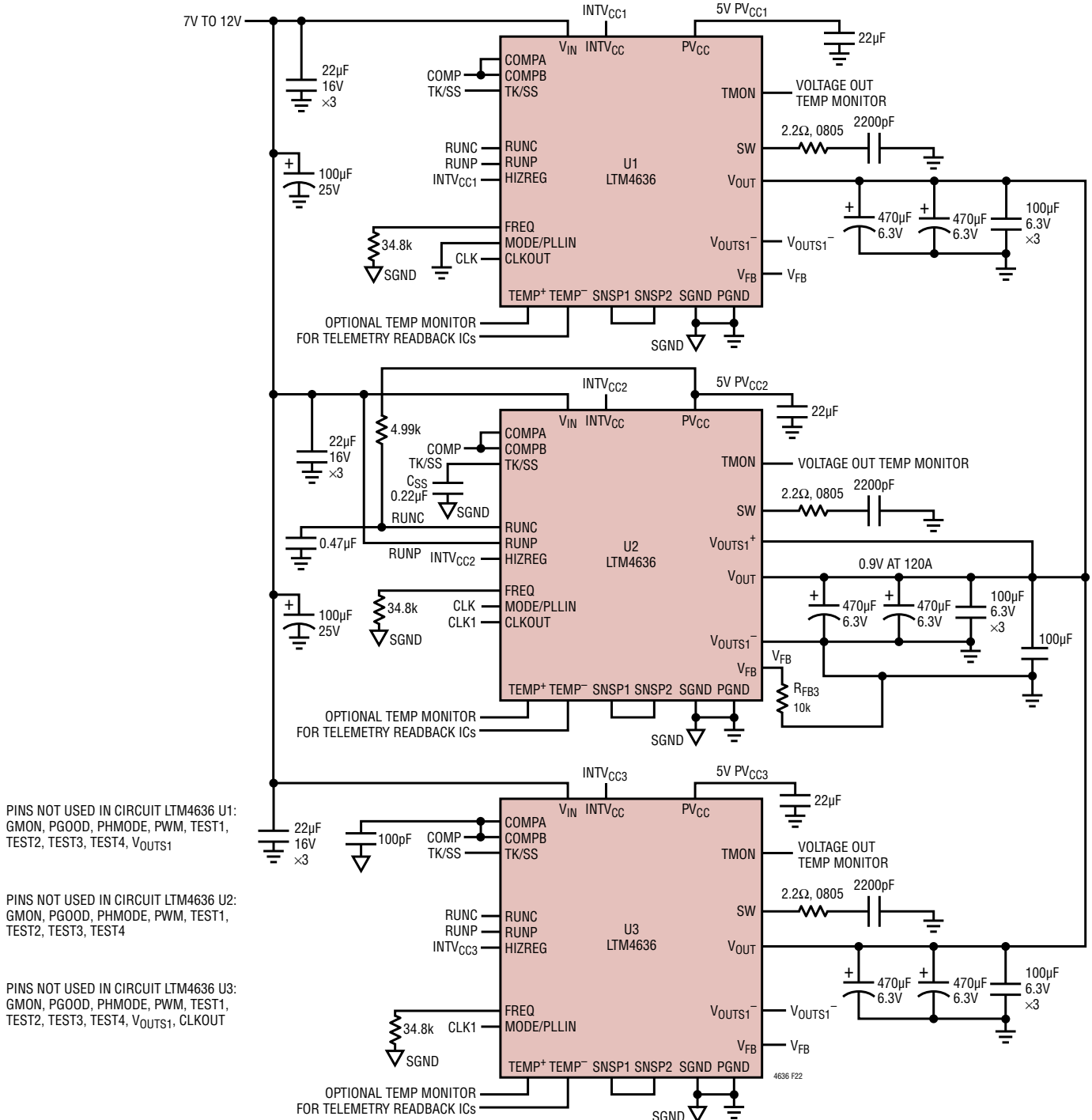


Figure 22. 3-Phase 0.9V at 120A with Protection

## TYPICAL APPLICATIONS

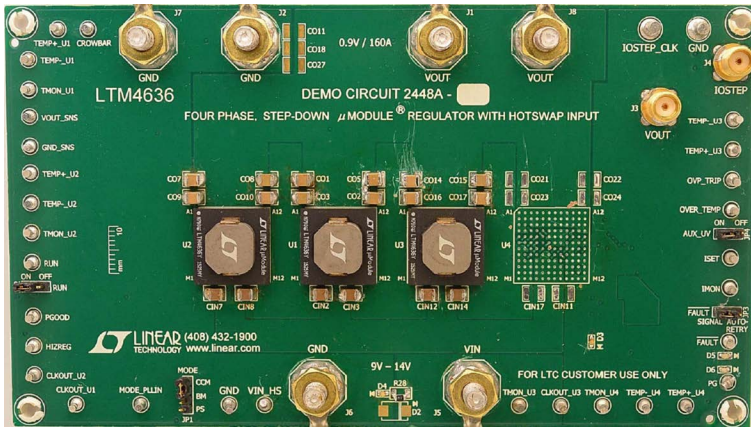


Figure 23. Demo Board

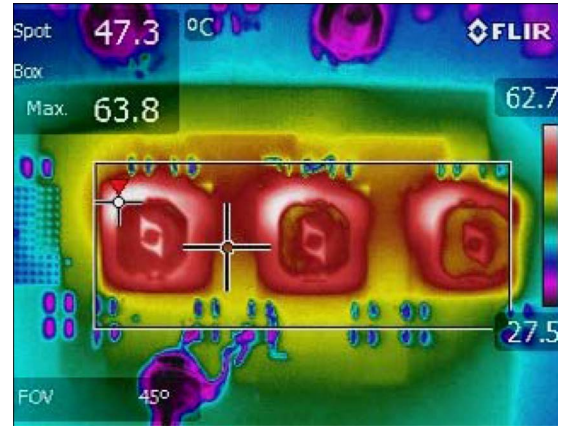


Figure 24. Thermal Plot, 12V to 0.9V at 120A, 400LFM Air Flow

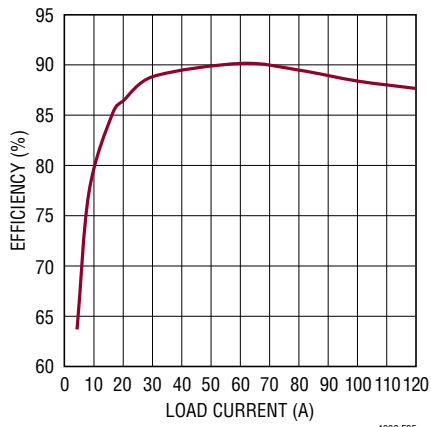
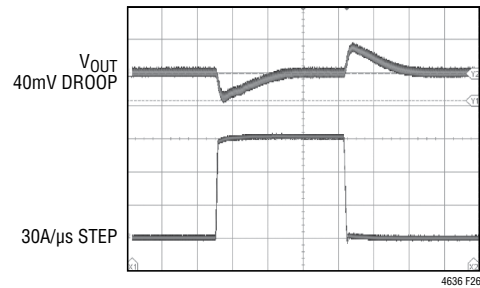


Figure 25. Efficiency, 12V to 0.9V at 120A



INTERNAL COMPENSATION  
 $C_{OUT} = 6 \times 470\mu\text{F } 6\text{V TPD POS CAP; } 12 \times 100\mu\text{F CERAMIC}$   
 FURTHER OPTIMIZATION CAN BE UTILIZED WITH EXTERNAL COMP

Figure 26. 12V to 0.9V 30A/μs Load Step

TYPICAL APPLICATIONS

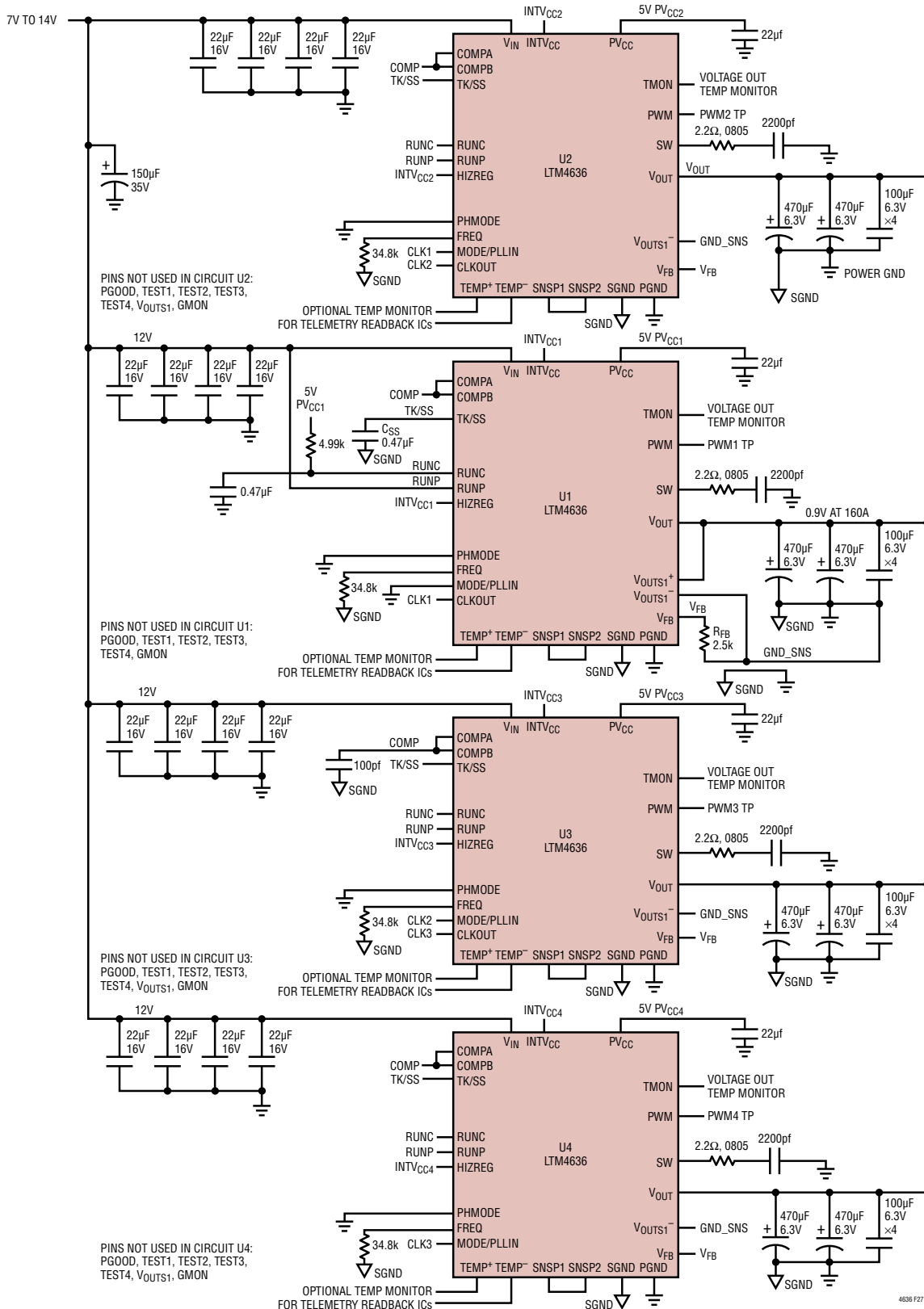


Figure 27. Four Phase 0.9V at 160A Design

## TYPICAL APPLICATIONS

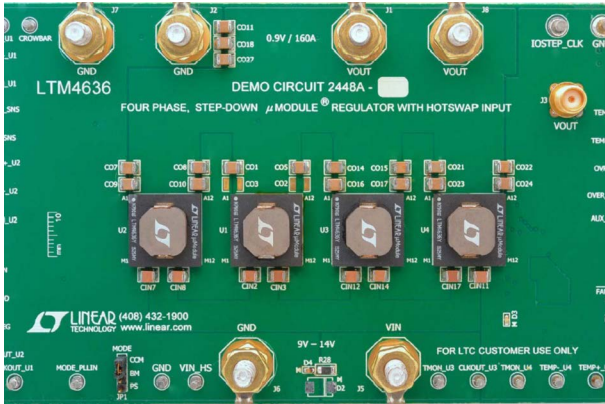


Figure 28. DC2448A Demo Board

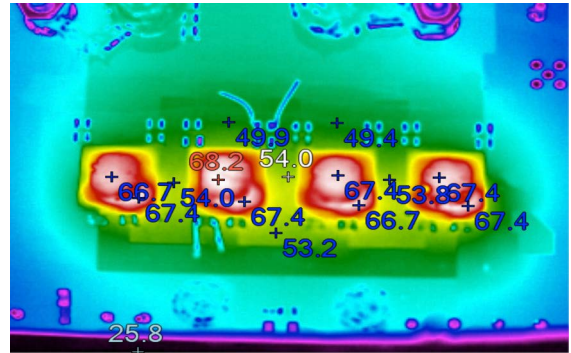


Figure 29. Thermal Plot, 12V to 0.9V at 160A, 400LFM Air Flow

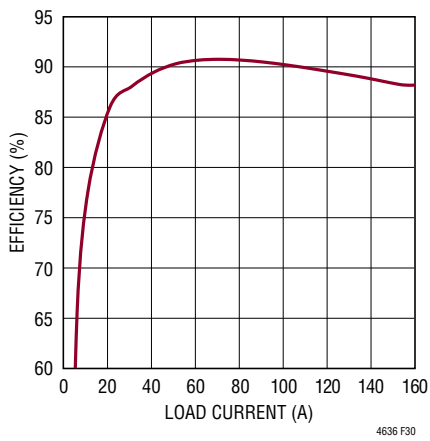
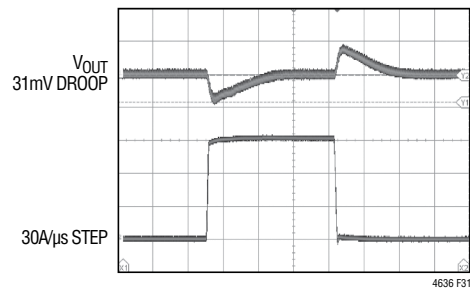


Figure 30. Efficiency, 12V to 0.9V at 160A



INTERNAL COMPENSATION  
 $C_{OUT} = 8 \times 470\mu\text{F } 6\text{V TPD POS CAP}, 16 \times 100\mu\text{F CERAMIC}$   
 FURTHER OPTIMIZATION CAN BE UTILIZED WITH EXTERNAL COMP

Figure 31. 12 to 0.9V 30A/μs Load Step



## PACKAGE DESCRIPTION



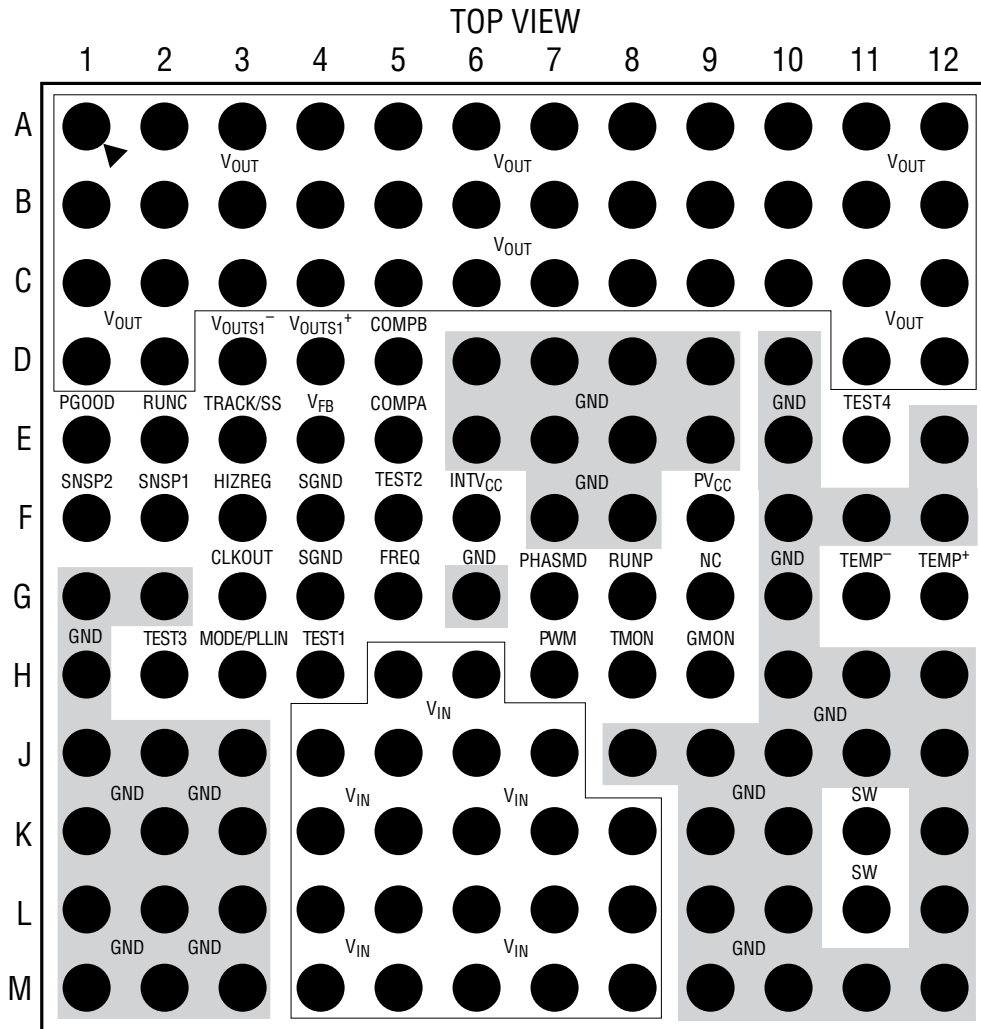
PACKAGE ROW AND COLUMN LABELING MAY VARY  
AMONG  $\mu$ Module PRODUCTS. REVIEW EACH PACKAGE  
LAYOUT CAREFULLY.

Pin Assignment Table (Arranged by Pin Number)

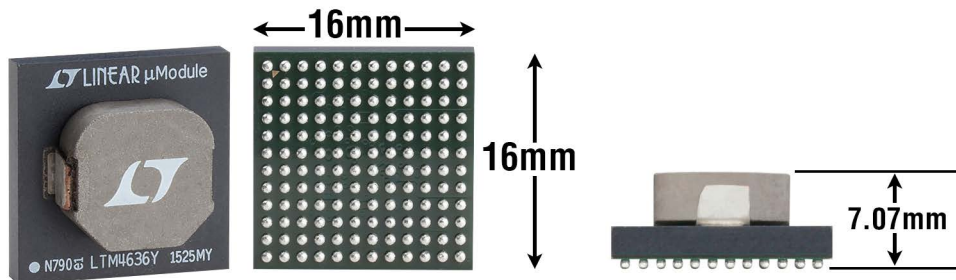
PIN ID	FUNCTION	PIN ID	FUNCTION	PIN ID	FUNCTION	PIN ID	FUNCTION	PIN ID	FUNCTION	PIN ID	FUNCTION
A1	V <sub>OUT</sub>	B1	V <sub>OUT</sub>	C1	V <sub>OUT</sub>	D1	V <sub>OUT</sub>	E1	PGOOD	F1	SNSP2
A2	V <sub>OUT</sub>	B2	V <sub>OUT</sub>	C2	V <sub>OUT</sub>	D2	V <sub>OUT</sub>	E2	RUNC	F2	SNSP1
A3	V <sub>OUT</sub>	B3	V <sub>OUT</sub>	C3	V <sub>OUT</sub>	D3	V <sub>OUTS1</sub> <sup>-</sup>	E3	TRACK/SS	F3	HIZREG
A4	V <sub>OUT</sub>	B4	V <sub>OUT</sub>	C4	V <sub>OUT</sub>	D4	V <sub>OUTS1</sub> <sup>+</sup>	E4	V <sub>FB</sub>	F4	SGND
A5	V <sub>OUT</sub>	B5	V <sub>OUT</sub>	C5	V <sub>OUT</sub>	D5	COMPB	E5	COMPA	F5	TEST2
A6	V <sub>OUT</sub>	B6	V <sub>OUT</sub>	C6	V <sub>OUT</sub>	D6	GND	E6	GND	F6	INTV <sub>CC</sub>
A7	V <sub>OUT</sub>	B7	V <sub>OUT</sub>	C7	V <sub>OUT</sub>	D7	GND	E7	GND	F7	GND
A8	V <sub>OUT</sub>	B8	V <sub>OUT</sub>	C8	V <sub>OUT</sub>	D8	GND	E8	GND	F8	GND
A9	V <sub>OUT</sub>	B9	V <sub>OUT</sub>	C9	V <sub>OUT</sub>	D9	GND	E9	GND	F9	PV <sub>CC</sub>
A10	V <sub>OUT</sub>	B10	V <sub>OUT</sub>	C10	V <sub>OUT</sub>	D10	GND	E10	GND	F10	GND
A11	V <sub>OUT</sub>	B11	V <sub>OUT</sub>	C11	V <sub>OUT</sub>	D11	V <sub>OUT</sub>	E11	TEST 4	F11	GND
A12	V <sub>OUT</sub>	B12	V <sub>OUT</sub>	C12	V <sub>OUT</sub>	D12	V <sub>OUT</sub>	E12	GND	F12	GND

PIN ID	FUNCTION	PIN ID	FUNCTION	PIN ID	FUNCTION	PIN ID	FUNCTION	PIN ID	FUNCTION	PIN ID	FUNCTION
G1	GND	H1	GND	J1	GND	K1	GND	L1	GND	M1	GND
G2	GND	H2	TEST3	J2	GND	K2	GND	L2	GND	M2	GND
G3	CLKOUT	H3	MODE/PLLIN	J3	GND	K3	GND	L3	GND	M3	GND
G4	SGND	H4	TEST1	J4	V <sub>IN</sub>	K4	V <sub>IN</sub>	L4	V <sub>IN</sub>	M4	V <sub>IN</sub>
G5	FREQ	H5	V <sub>IN</sub>	J5	V <sub>IN</sub>	K5	V <sub>IN</sub>	L5	V <sub>IN</sub>	M5	V <sub>IN</sub>
G6	GND	H6	V <sub>IN</sub>	J6	V <sub>IN</sub>	K6	V <sub>IN</sub>	L6	V <sub>IN</sub>	M6	V <sub>IN</sub>
G7	PHASMD	H7	PWM	J7	V <sub>IN</sub>	K7	V <sub>IN</sub>	L7	V <sub>IN</sub>	M7	V <sub>IN</sub>
G8	RUNP	H8	TMON	J8	GND	K8	V <sub>IN</sub>	L8	V <sub>IN</sub>	M8	V <sub>IN</sub>
G9	NC	H9	GMON	J9	GND	K9	GND	L9	GND	M9	GND
G10	GND	H10	GND	J10	GND	K10	GND	L10	GND	M10	GND
G11	TEMP <sup>-</sup>	H11	GND	J11	GND	K11	SW	L11	SW	M11	GND
G12	TEMP <sup>+</sup>	H12	GND	J12	GND	K12	GND	L12	GND	M12	GND

**PACKAGE DESCRIPTION**



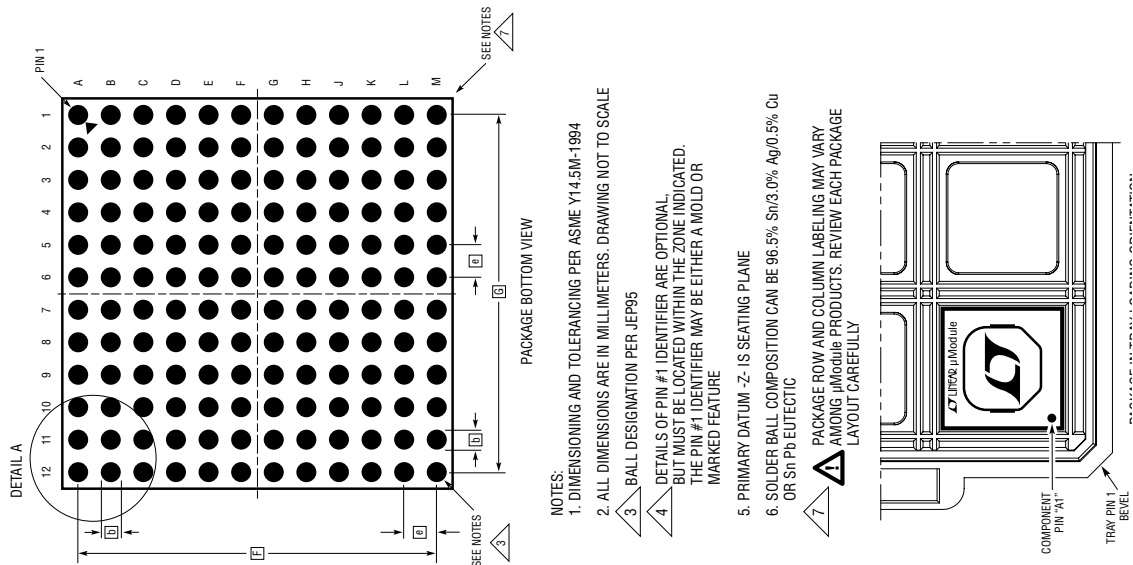
**PACKAGE PHOTO**



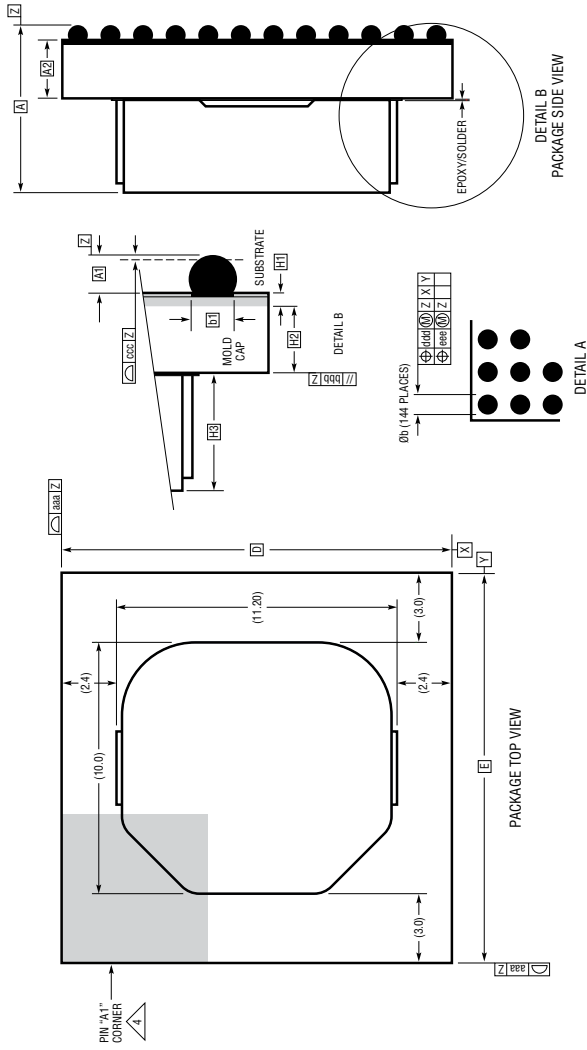
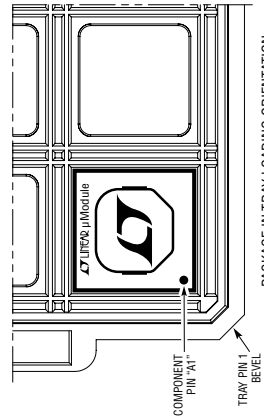
# PACKAGE DESCRIPTION

Please refer to <http://www.linear.com/product/LTM4636#packaging> for the most recent package drawings.

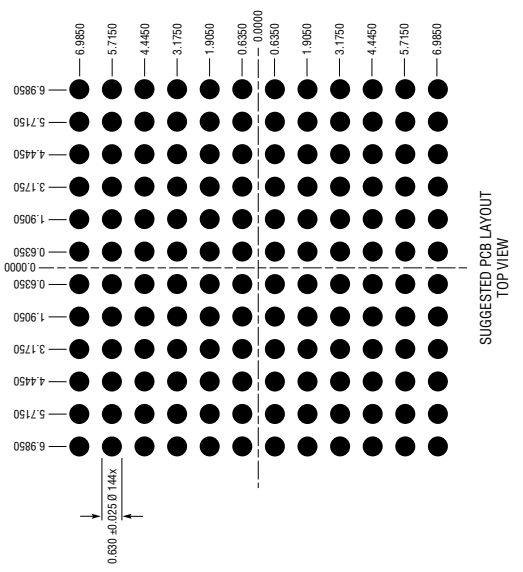
**BGA Package**  
**144-Lead (16mm × 16mm × 7.07mm)**  
 (Reference LTC DWG # 05-08-1937 Rev D)



- NOTES:**
1. DIMENSIONING AND TOLERANCING PER ASME Y14.5M-1984
  2. ALL DIMENSIONS ARE IN MILLIMETERS. DRAWING NOT TO SCALE
  3. BALL DESIGNATION PER JEP95
  4. DETAILS OF PIN #1 IDENTIFIER ARE OPTIONAL, BUT MUST BE LOCATED WITHIN THE ZONE INDICATED. THE PIN #1 IDENTIFIER MAY BE EITHER A MOLD OR MARKED FEATURE
  5. PRIMARY DATUM - Z - IS SEATING PLANE
  6. SOLDER BALL COMPOSITION CAN BE 96.5% Sn/3.0% Ag/0.5% Cu OR Sn Pb EUTECTIC
  7. PACKAGE ROW AND COLUMN LABELING MAY VARY AMONG JIMMOCIE PRODUCTS. REVIEW EACH PACKAGE LAYOUT CAREFULLY

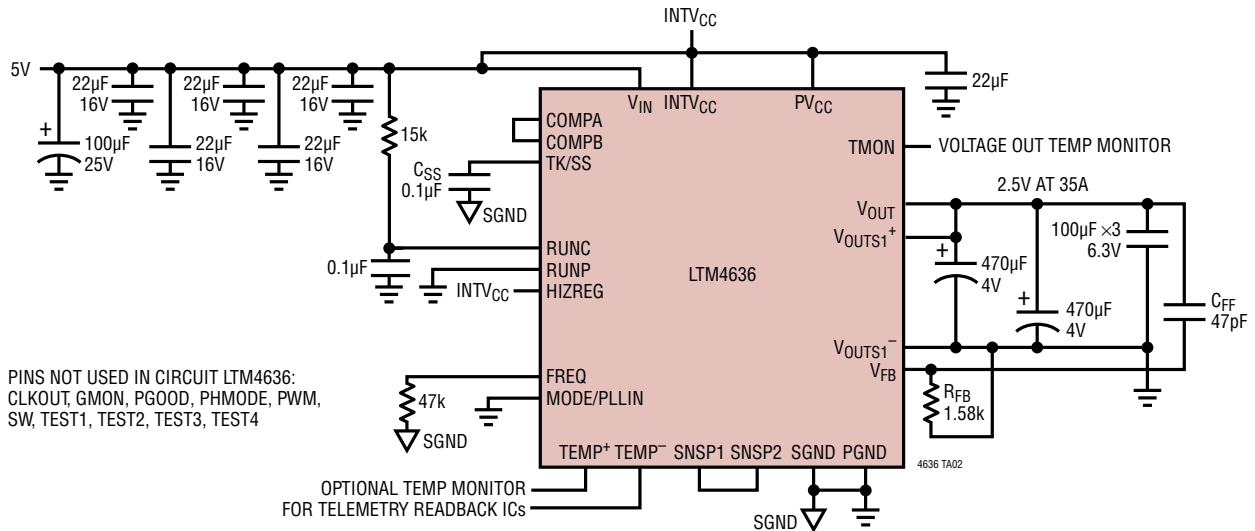


SYMBOL	MIN	NOM	MAX	NOTES
A	6.57	7.07	7.42	
A1	0.50	0.60	0.70	BALL HT
A2	2.31	2.41	2.51	
b	0.60	0.75	0.90	BALL DIMENSION
b1	0.60	0.63	0.66	PAD DIMENSION
D		16.00		
E		16.00		
e		1.27		
F		13.97		
G		13.97		
H1	0.36	0.41	0.46	SUBSTRATE THK
H2	1.95	2.00	2.05	MOLD CAP HT
H3	3.76	4.06	4.21	INDUCTOR HT
aaa			0.15	
bbb			0.10	
ccc			0.20	
ddd			0.30	
eee			0.15	
				TOTAL NUMBER OF BALLS: 144



## TYPICAL APPLICATION

### 5V to 2.5V at 35A Design



## DESIGN RESOURCES

SUBJECT	DESCRIPTION				
<a href="#">µModule Design and Manufacturing Resources</a>	<table border="0"> <tr> <td>Design:</td> <td>Manufacturing:</td> </tr> <tr> <td> <ul style="list-style-type: none"> <li>• Selector Guides</li> <li>• Demo Boards and Gerber Files</li> <li>• Free Simulation Tools</li> </ul> </td> <td> <ul style="list-style-type: none"> <li>• Quick Start Guide</li> <li>• PCB Design, Assembly and Manufacturing Guidelines</li> <li>• Package and Board Level Reliability</li> </ul> </td> </tr> </table>	Design:	Manufacturing:	<ul style="list-style-type: none"> <li>• Selector Guides</li> <li>• Demo Boards and Gerber Files</li> <li>• Free Simulation Tools</li> </ul>	<ul style="list-style-type: none"> <li>• Quick Start Guide</li> <li>• PCB Design, Assembly and Manufacturing Guidelines</li> <li>• Package and Board Level Reliability</li> </ul>
Design:	Manufacturing:				
<ul style="list-style-type: none"> <li>• Selector Guides</li> <li>• Demo Boards and Gerber Files</li> <li>• Free Simulation Tools</li> </ul>	<ul style="list-style-type: none"> <li>• Quick Start Guide</li> <li>• PCB Design, Assembly and Manufacturing Guidelines</li> <li>• Package and Board Level Reliability</li> </ul>				
<a href="#">µModule Regulator Products Search</a>	<ol style="list-style-type: none"> <li>Sort table of products by parameters and download the result as a spread sheet.</li> <li>Search using the Quick Power Search parametric table.</li> </ol> <div style="border: 1px solid #ccc; padding: 5px; margin-top: 10px;"> <p>Quick Power Search</p> <p>Input <math>V_{in}</math> (Min) <input type="text"/> V <math>V_{in}</math> (Max) <input type="text"/> V</p> <p>Output <math>V_{out}</math> <input type="text"/> V <math>I_{out}</math> <input type="text"/> A</p> <p style="text-align: right;"><input type="button" value="Search"/></p> </div>				
<a href="#">TechClip Videos</a>	Quick videos detailing how to bench test electrical and thermal performance of µModule products.				
<a href="#">Digital Power System Management</a>	Linear Technology's family of digital power supply management ICs are highly integrated solutions that offer essential functions, including power supply monitoring, supervision, margining and sequencing, and feature EEPROM for storing user configurations and fault logging.				

## RELATED PARTS

PART NUMBER	DESCRIPTION	COMMENTS
<a href="#">LTM4650/</a> <a href="#">LTM4650-1</a>	More Current Up to 50A µModule Regulator	Dual 25A or Single 50A, $4.5V \leq V_{IN} \leq 15V$ , $0.6V \leq V_{OUT} \leq 1.8V$ , $16mm \times 16mm \times 5.01mm$ BGA
<a href="#">LTM4630/</a> <a href="#">LTM4630-1/</a> <a href="#">LTM4630A</a>	Less Current Up to 36A µModule Regulator	LTM4650 Pin-Compatible; Same $V_{IN}$ and $V_{OUT}$ Range; LTM4630A $0.6V \leq V_{OUT} \leq 5.3V$ , $16mm \times 16mm \times 4.41mm$ LGA 5.01mm BGA
<a href="#">LTM4647</a>	Smaller Package Up to 30A µModule Regulator	Single 30A, $4.7V \leq V_{IN} \leq 15V$ , $0.6V \leq V_{OUT} \leq 1.8V$ , $9mm \times 15mm \times 5.01mm$ BGA