

DE9941A (375 & 435 bandings)

SDR Demonstrator for Industrial IoT Modem Applications

Features

- Complete UHF modem solution
- On-board ARM controller with script handler and USB interface
- Credit card size – 87mm x 55mm
- Ample test points for signal interrogation

Functional Summary

- 12.5/25/50kHz channel support
- Supports m-QAM modulation
- 192kbps in a 50kHz channel
- 1 Watt transmit output
- Designed to meet EN 302 561 / EN 300 113

Applications

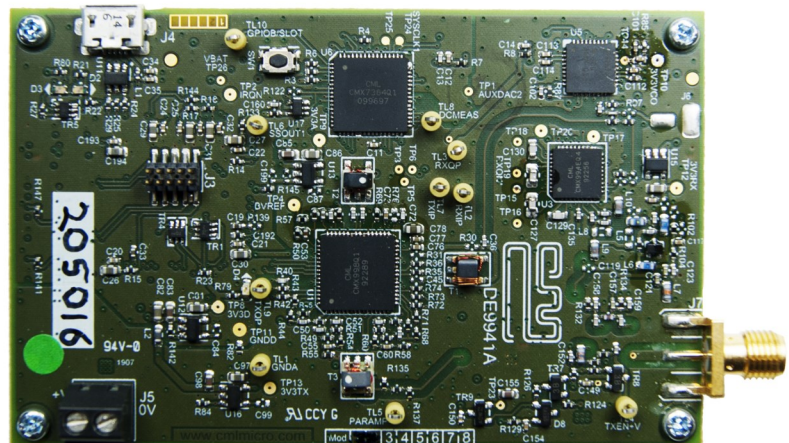
- VHF/UHF modems
 - Industrial IoT
 - Telemetry
 - SCADA
 - Real Time Kinematics
 - Military systems
- Satellite modems (IF stage)

The DE9941A is a compact UHF wireless data modem demonstration platform using the CMX994E Direct Conversion Receiver, the CMX998 Cartesian Feedback Loop Transmitter and the CMX7364 High Performance Multi-mode Wireless Data Modem. The credit card sized small form factor of the evaluation platform is due to the highly integrated nature of the CML IC solutions and its software defined architecture allows support of multiple channel bandwidths (12.5/25/50kHz) and modulation types with a single hardware design. Whilst the components used support operation from 100MHz to 1GHz, the DE9941A-375 design is optimized for operation in the 350-400 MHz band and the DE9941A-435 is optimized for operation in the 400-470 MHz band.

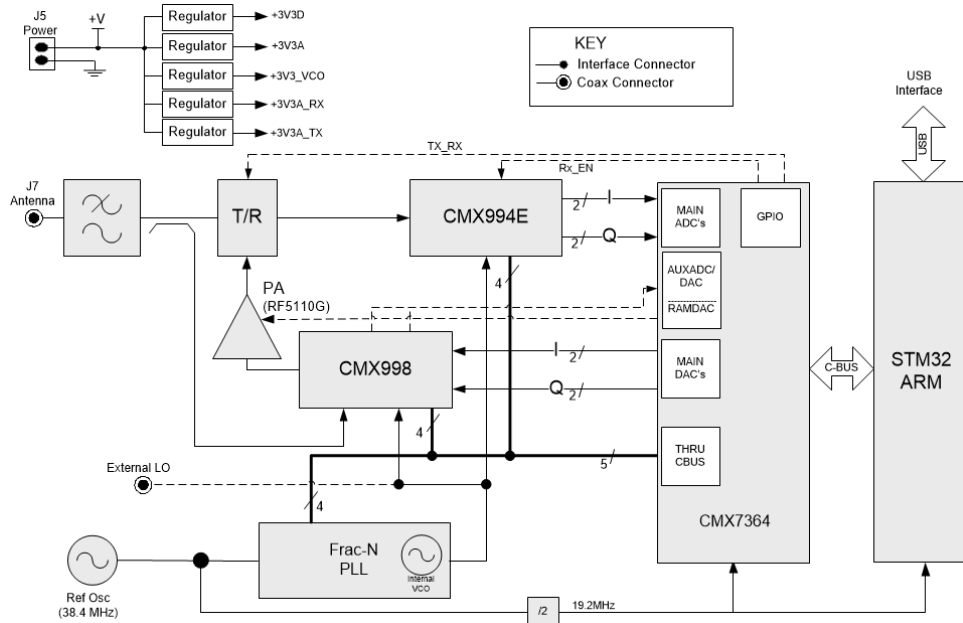
The board can be used to demonstrate receive and transmit performance with multi-level QAM, FSK and GMSK type modulation. Using the on-board ARM host controller, a full transceiver can be demonstrated interfacing to a host PC via USB, with scripts available to set up the board as a transceiver, as well as running BER tests and operation in transmit mode only.

The DE9941A includes a Fractional-N PLL and VCO to provide local oscillator signals for the CMX994E and CMX998. The on-board ARM micro-controller, together with the control scripts, gives the user the ability to program the RF synthesizer to the correct operating frequencies. The design also includes a 1W power amplifier, harmonic filter and Tx/Rx switch. The modem's RF performance is designed to be compliant with EN 302 561 / EN 300 113 and all the circuits are provided with power-down capability to allow standby functionality.

The DE9941A operates from a single 4.5V supply.



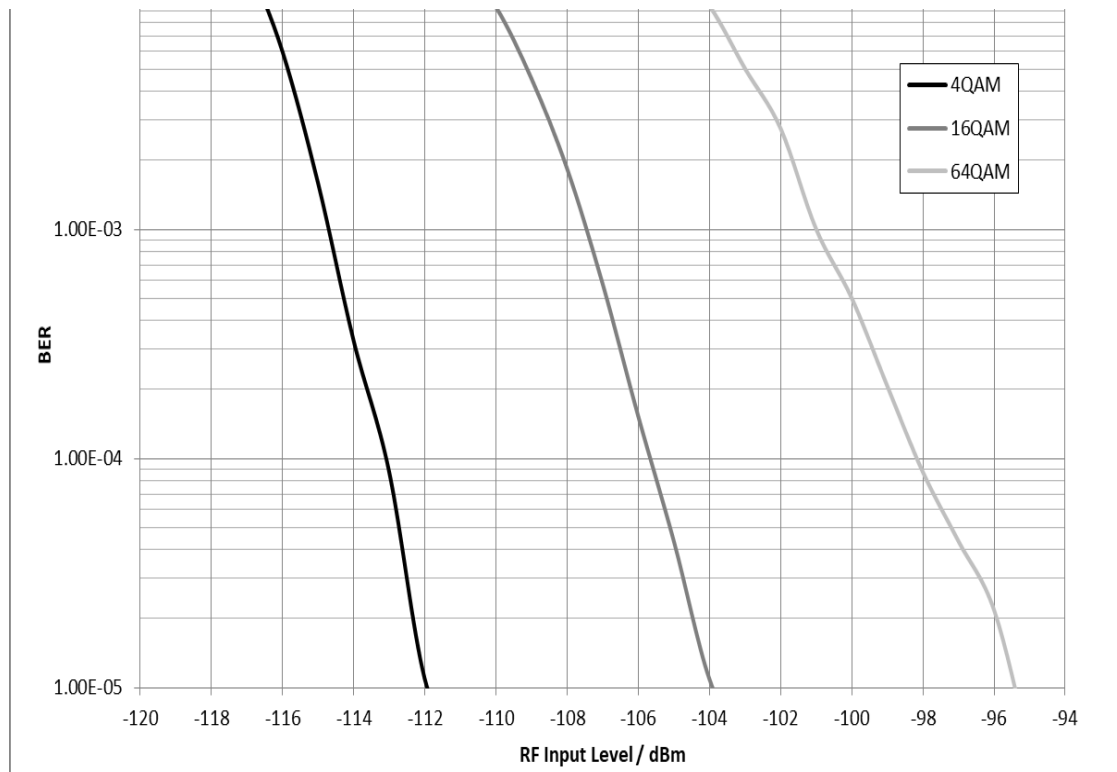
Block Diagram



Key Functionality

- **Main functionality (running 7364-FI-4)**
 - Optimised for 350 to 400MHz operation
 - 12.5/25/50kHz channel bandwidth
 - 4, 16 or 64 QAM modulation
 - Raw or coded data options
- **Digital interface**
 - USB 2.0
- **Monitoring and calibration**
 - Measurement of EVM, RSSI, Bit Error Rate
 - Measurement of DC offsets and calibration setup
 - Receive and transmit link logging
- **Power management**
 - 4.5V main supply
 - Selectable power down modes for individual ICs on the board
- **Physical format - 87mm x 55mm PCB with SMA RF antenna connector**

Typical sensitivity performance for QAM Modulation



FI-4x Firmware Functionality

4-QAM, 16-QAM, 32-QAM and **64-QAM** modulations are supported, with root raised cosine filtering with $\alpha=0.2$, 0.35 or a user programmable filter. The 7364FI 4.x supports up to 192kbps in a 50kHz channel, with channel estimation and equalization to provide robust performance under demanding channel conditions. For greater flexibility, different rate FEC modes are provided. Receive signal quality measurement is supported, making a useful assessment of link conditions. The 7364FI-4.x supports zero IF (I/Q) transmit and receive. QAM data is over-air compatible with the CMX7163FI-4.x.

The Function Image supports Adaptive Coded Modulation (ACM) features allow modulation type and block format to be changed on the fly via over-air commands that control a receiving CMX7364 baseband controller. These enable a Tx host to select optimum modulation and coding per burst to suit application message size, link channel quality and can also relax required Rx host message parsing speed. This feature makes the CMX7364 baseband controller a powerful solution that can operate in an optimised way whatever the state of the radio channel.

THIS PRODUCT BRIEF CONTAINS PROPRIETARY INFORMATION OF CML MICROSYSTEMS PLC. AND SHALL NOT BE USED, DISCLOSED OR REPRODUCED, IN WHOLE OR IN PART, FOR ANY PURPOSE OTHER THAN TO EVALUATE THIS PRODUCT CONCEPT, WITHOUT THE PRIOR WRITTEN CONSENT OF CML MICROSYSTEMS PLC. TITLE IN AND TO THIS DOCUMENT AND ALL INFORMATION CONTAINED HEREIN REMAINS AT ALL TIMES IN CML MICROSYSTEMS PLC.

WHAT TO DO NEXT

Visit: www.cmlmicro.com

Find: [Distributor](#)

CML Microcircuits Benefits

Faster time to market

Developing proven high performance and field tested ASSP ICs, CML is helping engineers to cope with increasing pressure in delivering shorter project design cycles.

Design flexibility

CML's *FirmASIC*[®] reconfigurable technology with the use of a Function Image upload enables a single hardware platform to be used for multiple communications systems.

High Quality

With 100% of products being tested before shipping, customers are assured of the highest reliability.

Product Longevity

Designing with CML products, manufacturers are rewarded with longer product life cycles and a stable BOM, ensuring minimum engineering costs and maximum profit.

Low Power

Being at the forefront of low power chip technology, manufacturers can develop smaller equipment with extended battery life.

Superior Support

Internal and field based applications teams worldwide provide focused customer support to ease the development process.

www.cmlmicro.com

United Kingdom
United States
Singapore

Tel: +44 (0) 1621 875500
Tel: +1 336 744 5050
Tel: +65 62888129

email: sales@cmlmicro.com
email: us.sales@cmlmicro.com
email: sg.sales@cmlmicro.com