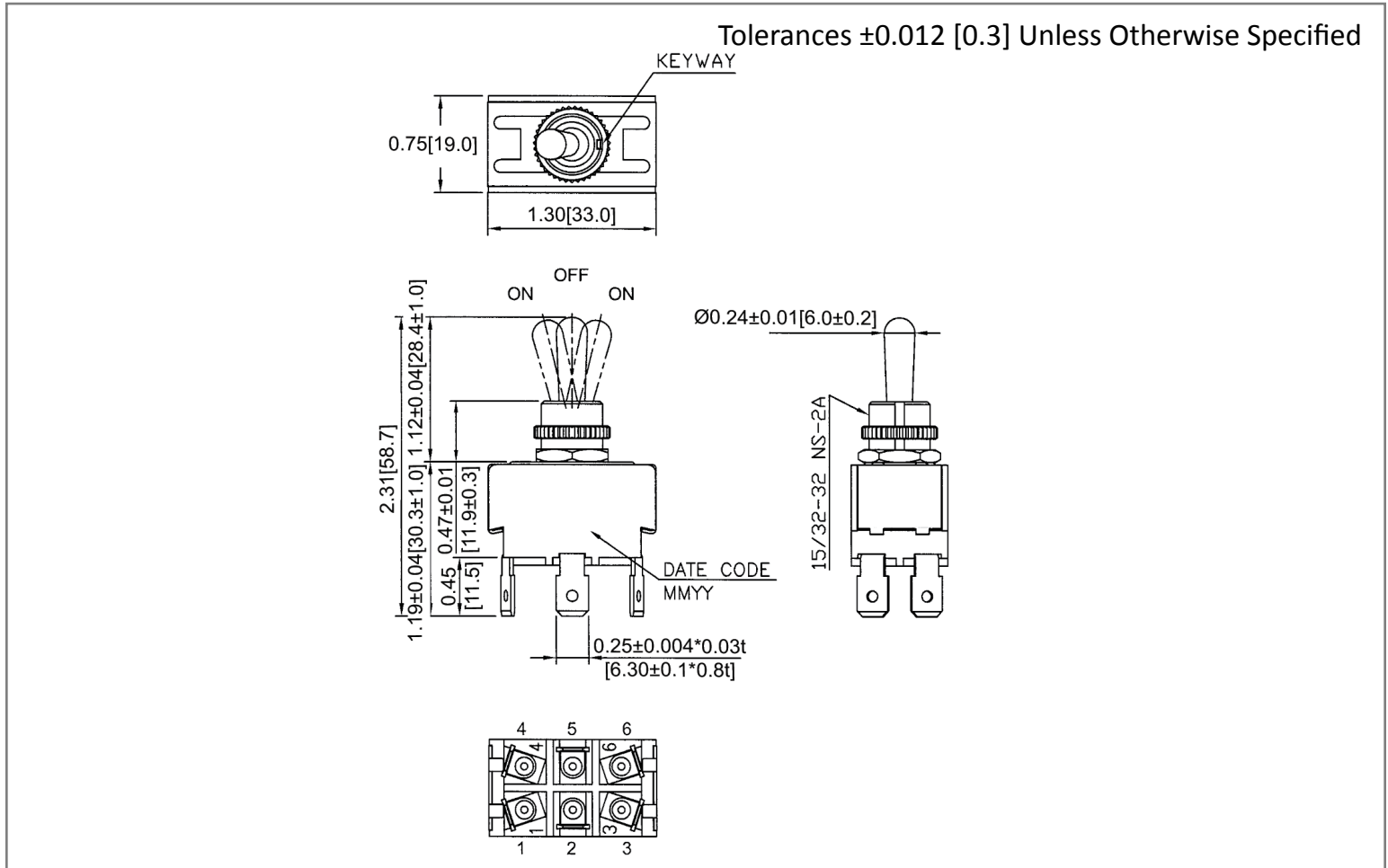
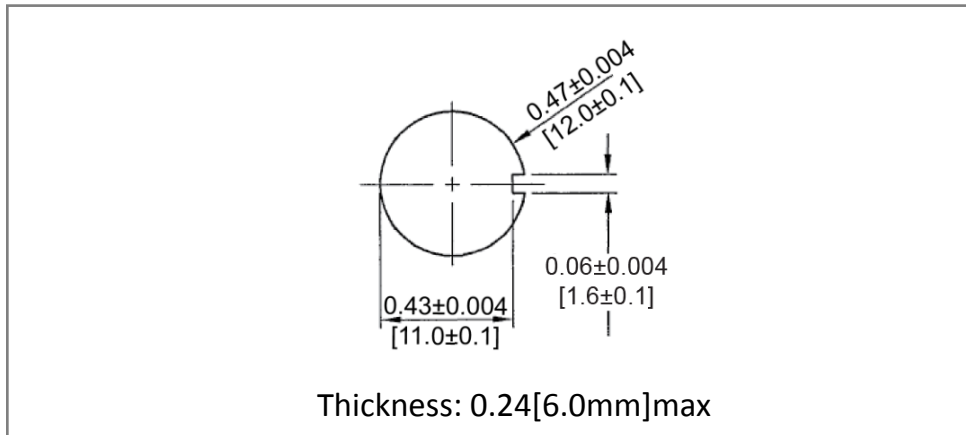


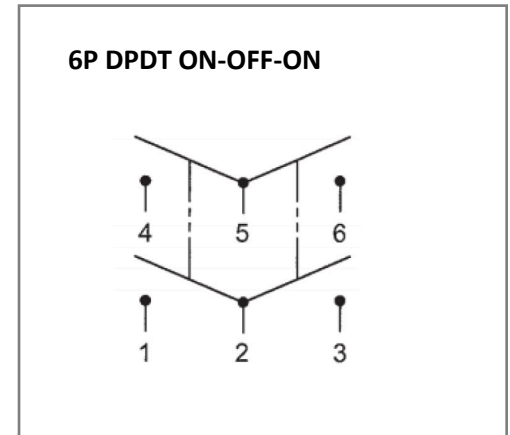
## Mechanical Dimensions: Inches [mm]



## Mounting Hole



## Circuit Diagram



## Electrical Specifications

|                              |   |
|------------------------------|---|
| <b>Rating</b>                | 20A 125V AC, 10A 277V AC, 1 1/2HP 125-250V AC<br>10(4)A 125/250V AC |
| <b>Contact Resistance</b>    | 50m ohm Max   |
| <b>Insulation Resistance</b> | DC 500V 100M ohm Min  |
| <b>Dielectric Strength</b>   | AC 1500V 1 minute   |
| <b>Operation Temperature</b> | 1700gf±400gf  |

## Material Specifications

|                  |
|------------------|
| 1 Hex Nut Assy   |
| 1 Knurl Nut Assy |
|                  |
|                  |

| Rev | Date of issue | Revision Notes  | Designed | Approved |
|-----|---------------|-----------------|----------|----------|
| B   | 11-30-2021    | Initial Drawing | RC       | OF       |