

**MATERIALS AND FINISHES:**

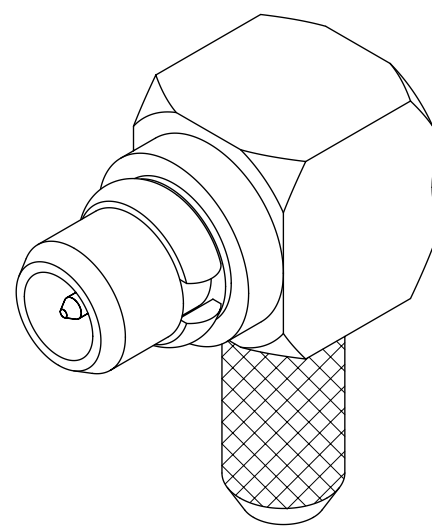
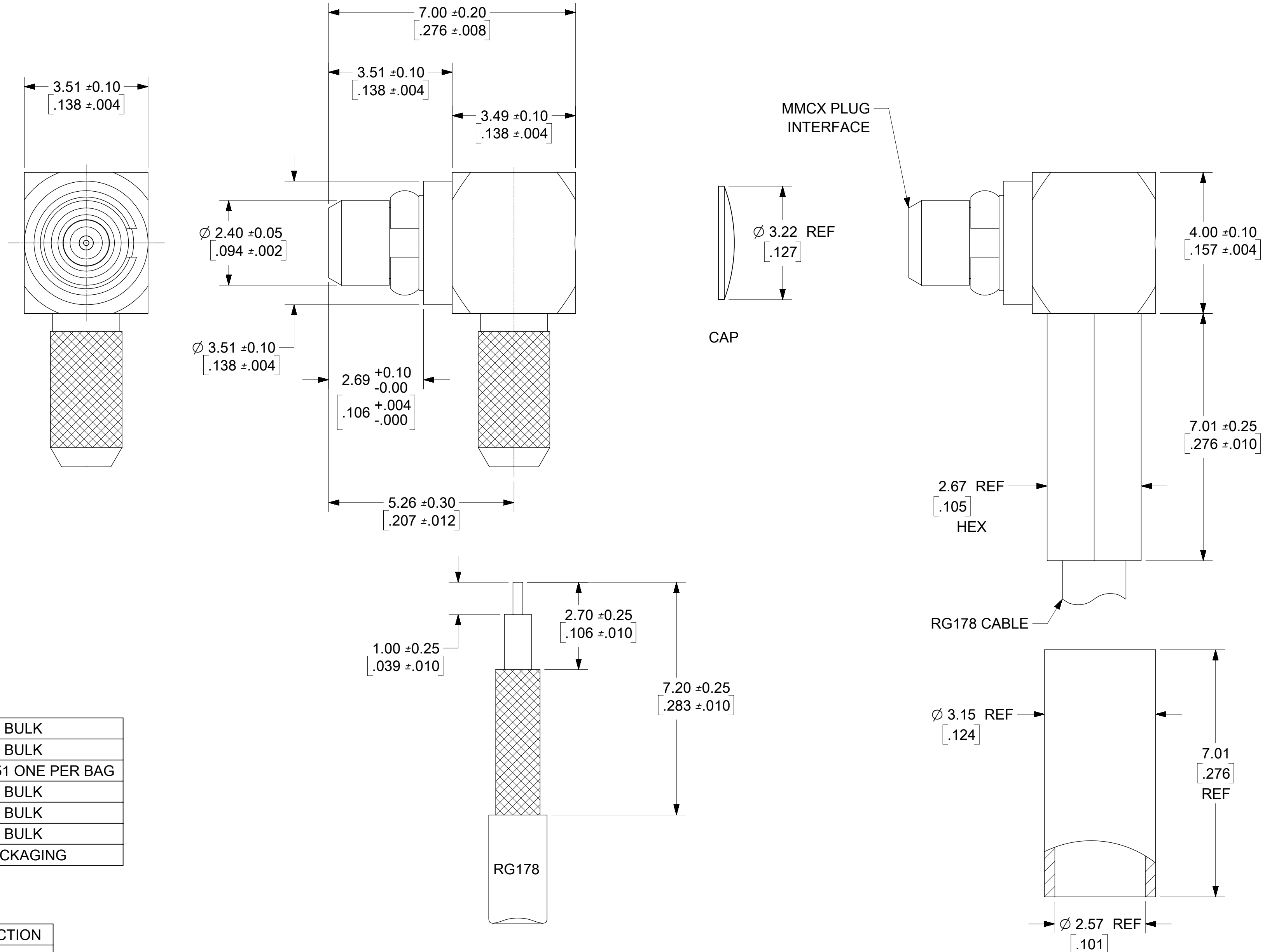
BODY, CONTACT ,CAP: BRASS  
FINISH: GOLD OVER NICKEL(SEE TABLE)

SNAP RING: BERYLLIUM COPPER  
FINISH: GOLD OVER NICKEL(SEE TABLE)

INSULATORS: PTFE

**NOTE :**

- 1) 73415-0955 IS FOR ENHANCED PERFORMANCE.
- 2) RG178 CABLE OR EQUIVALENT CRIMPING FORCE 6.5kgf MIN.



73415-0955	COMMERCIAL	BULK
73415-0954	COMMERCIAL	BULK
73415-0953	COMMERCIAL	73415-0951 ONE PER BAG
73415-0952	NICKEL	BULK
73415-0951	COMMERCIAL	BULK
73415-0950	MILITARY	BULK
PART NO.	DESCRIPTION	PACKAGING

AS-89675-5070	CABLE ASSY INSTRUCTION
ES-73599-0000-015	INTERFACE
PS-89675-1920	ELECTRICAL/MECHANICAL
SPECIFICATION	DESCRIPTION

73415-0955	1 OVER 50	5 OVER 50	1 OVER 50	1 OVER 50	1 OVER 50
73415-0954	1 OVER 50	5 OVER 50	1 OVER 50	1 OVER 50	1 OVER 50
73415-0952	0 OVER 100	30 OVER 50	0 OVER 100	0 OVER 100	10 OVER 100
73415-0951	1 OVER 50	30 OVER 50	1 OVER 50	1 OVER 50	1 OVER 50
73415-0950	30 OVER 100	50 OVER 100	30 OVER 100	50 OVER 100	30 OVER NA
PART NO.	BODY (μ-in MIN)	CONTACT (μ-in MIN)	SNAP RING (μ-in MIN)	CAP (μ-in MIN)	CRIMP TUBE (μ-in MIN)
PLATING (GOLD OVER NICKEL)					

**RECOMMENDED STRIP DIMENSIONS**

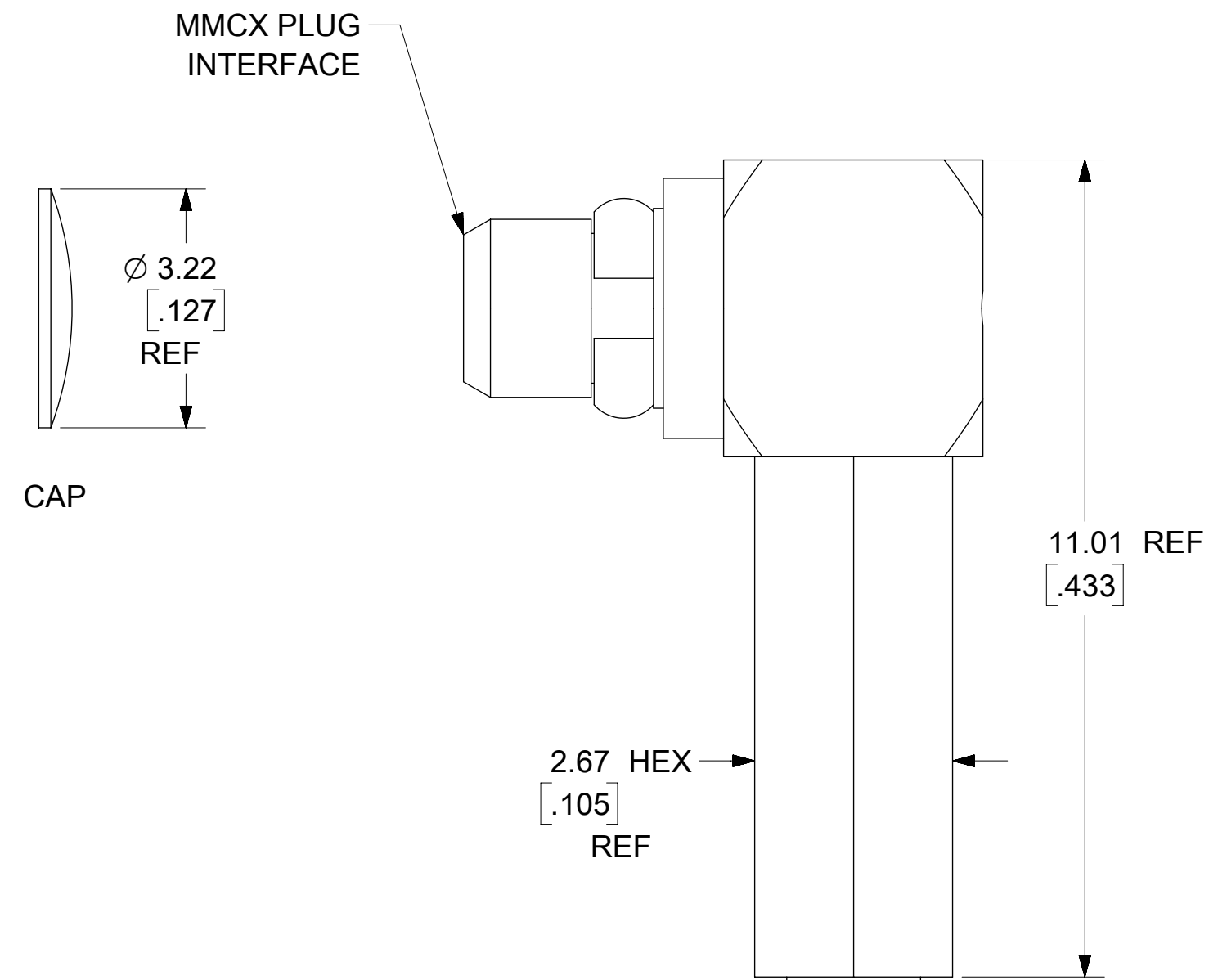
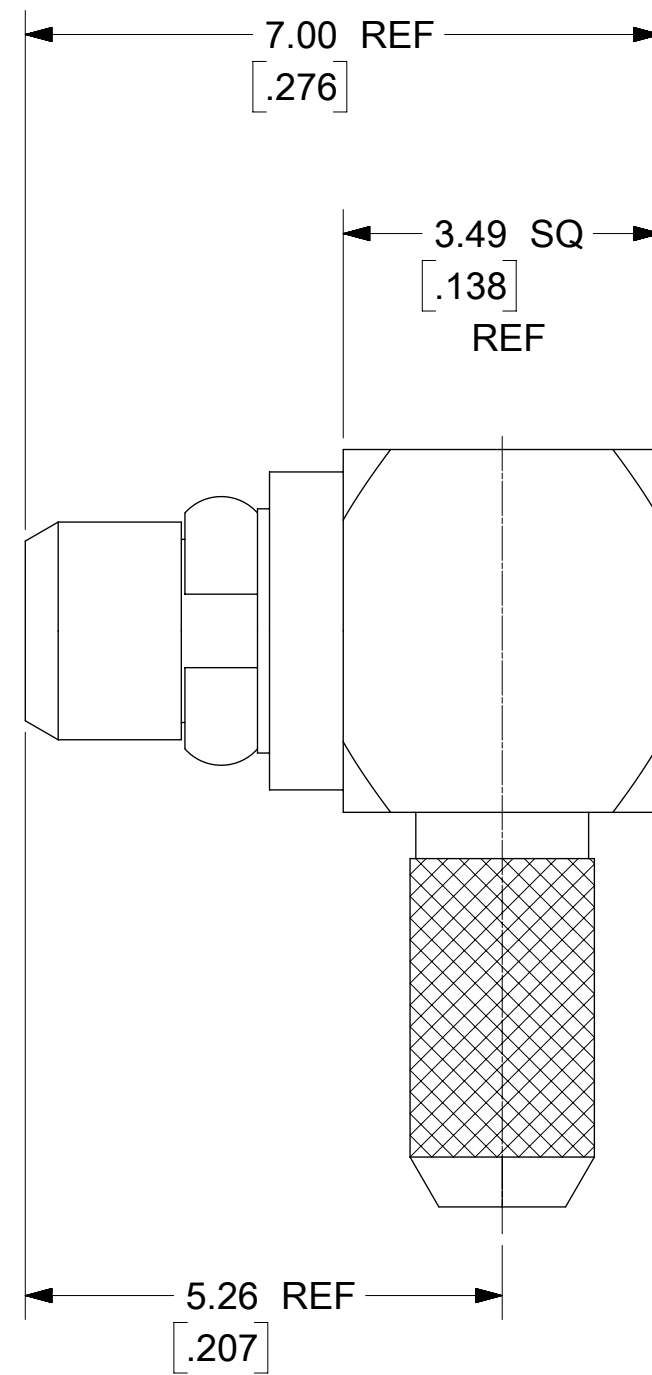
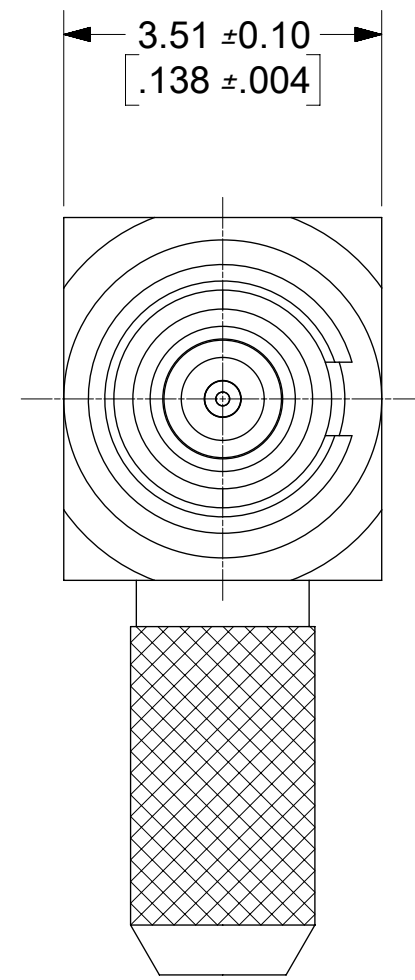
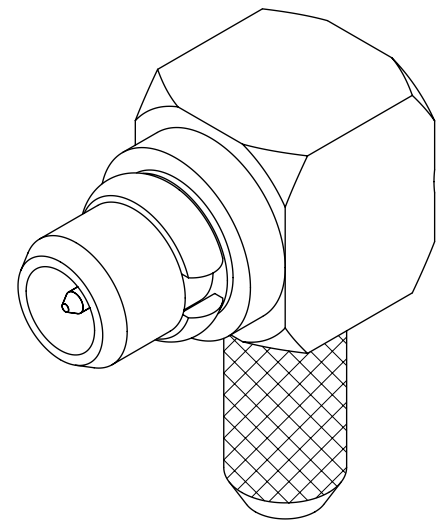
QUALITY SYMBOLS	THIS DRAWING CONTAINS INFORMATION THAT IS PROPRIETARY TO MOLEX ELECTRONIC TECHNOLOGIES, LLC AND SHOULD NOT BE USED WITHOUT WRITTEN PERMISSION				
▽ = 0	EC NO: 120304 DRWN: BBHARADWAJD CHKD: BBHARADWAJD REV / APPR: AROBERTSON	GENERAL TOLERANCES (UNLESS SPECIFIED)		DIMENSION UNITS	
▽ = 0		MM	INCH	mm	
▽ = 0		4 PLACES ±	±	DRWN BY	SCALE
▽ = 0		3 PLACES ±	± 0.01	YCHENG	DATE
▽ = 0		2 PLACES ±	± 0.25	CHK'D BY	DATE
▽ = 0		1 PLACES ±	±	BBHARADWAJD	2017/09/13
▽ = 0	0 PLACES ±	±	APPR BY	DATE	
☒ = 0	ANGULAR TOL = 2.0		YCHENG	2016/09/19	
■ = 0	DRAFT WHERE APPLICABLE MUST REMAIN WITHIN DIMENSIONS		DRIVING SIZE	THIRD ANGLE PROJECTION	
▽ = 0	A2	C			
		MMCX PLUG, 50 OHMS, R/A, FOR RG178 CABLE, MMCX-P/RG178, EWR-11074			
PRODUCT CUSTOMER DRAWING		SERIES	MATERIAL NUMBER	CUSTOMER	
		73415	SEE TABLE		
RELEASE STATUS		DOC NUMBER	DOC TYPE	DOC PART	
P1	13.09.2017 12:16:13	RSD-73415-095	PSD	001	
		SHEET NUMBER			
		1 OF 1			

MATERIALS AND FINISHES:

BODY, CONTACT ,CAP, CRIMP TUBE: BRASS  
FINISH: GOLD OVER NICKEL(SEE TABLE)

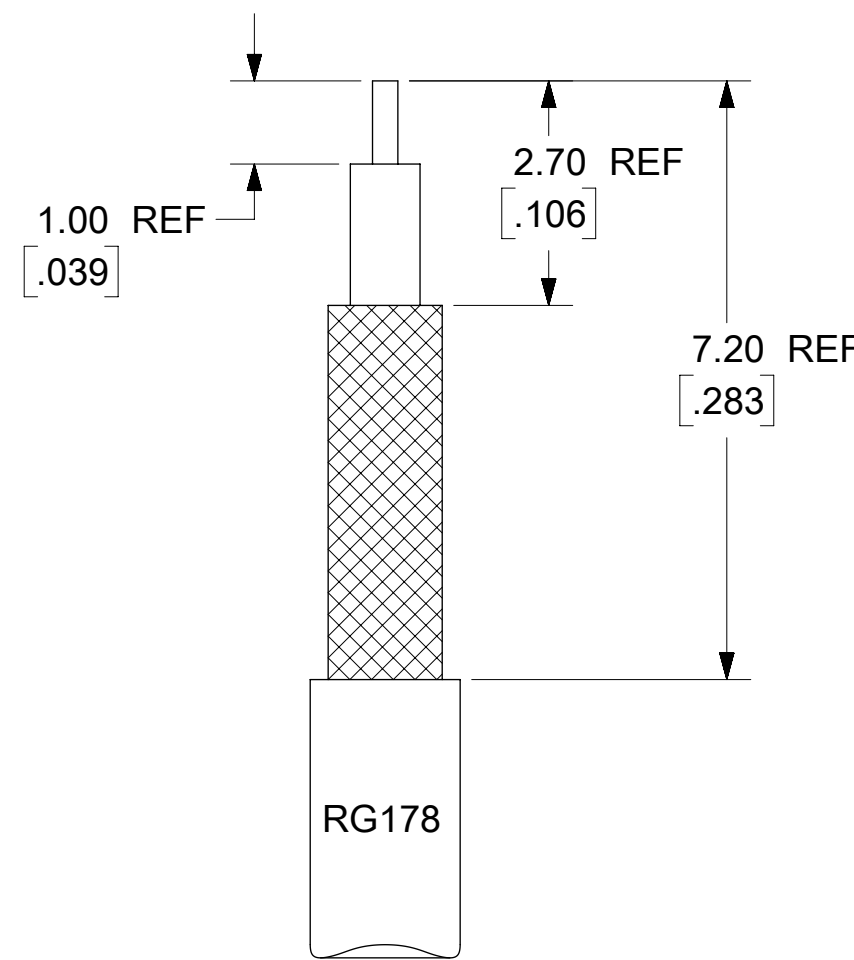
SNAP RING: BERYLLIUM COPPER  
FINISH: GOLD OVER NICKEL(SEE TABLE)

INSULATORS: PTFE

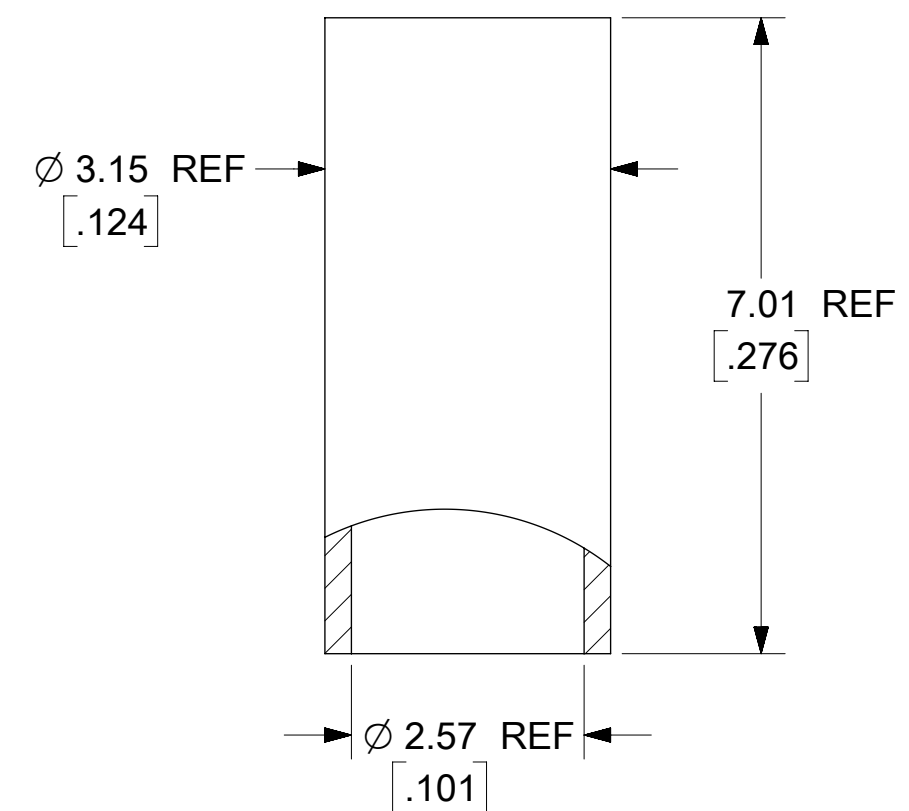


NOTE :

- 1) 73415-0955 IS FOR ENHANCED PERFORMANCE.
- 2) RG178 CABLE OR EQUIVALENT CRIMPING FORCE 6.5kgf MIN.



RECOMMENDED STRIP DIMENSIONS



PART NO.	DESCRIPTION	PACKAGING
73415-0955	COMMERCIAL	BULK
73415-0954	COMMERCIAL	BULK
73415-0953	COMMERCIAL	73415-0951 ONE PER BAG
73415-0952	NICKEL	BULK
73415-0951	COMMERCIAL	BULK
73415-0950	MILITARY	BULK

SPECIFICATION	DESCRIPTION
AS-89675-5070	CABLE ASSY INSTRUCTION
IEC-61169-52	INTERFACE
PS-89675-1920	ELECTRICAL/MECHANICAL

PART NO.	BODY (µ-in MIN)	CONTACT (µ-in MIN)	SNAP RING (µ-in MIN)	CAP (µ-in MIN)	CRIMP TUBE (µ-in MIN)
73415-0955	1 OVER 50	5 OVER 50	1 OVER 50	1 OVER 50	1 OVER 50
73415-0954	1 OVER 50	5 OVER 50	1 OVER 50	1 OVER 50	1 OVER 50
73415-0952	0 OVER 100	30 OVER 50	0 OVER 100	0 OVER 100	10 OVER 100
73415-0951	1 OVER 50	30 OVER 50	1 OVER 50	1 OVER 50	1 OVER 50
73415-0950	30 OVER 100	50 OVER 100	30 OVER 100	50 OVER 100	30 OVER NA

RELEASE STATUS P1 RELEASE DATE 13.09.2017 12:16:15

PLATING (GOLD OVER NICKEL)

THIS DRAWING CONTAINS INFORMATION THAT IS PROPRIETARY TO MOLEX ELECTRONIC TECHNOLOGIES, LLC AND SHOULD NOT BE USED WITHOUT WRITTEN PERMISSION

SEE ECM EC NO: 120304 DRWN: BBHARADWAJD CHKD: BBHARADWAJD REV: APPR: AROBERTSON	GENERAL TOLERANCES (UNLESS SPECIFIED)		DIMENSION UNITS	SCALE	
			mm		
			DRWN BY	DATE	
			YCHENG	2016/09/13	
		4 PLACES ±	±	CHK'D BY	DATE
		3 PLACES ±	± 0.01	BBHARADWAJD	2017/09/13
		2 PLACES ±	± 0.25	APPR BY	DATE
		1 PLACES ±	±	YCHENG	2016/09/19
		0 PLACES ±	±	DRAWING SIZE	THIRD ANGLE PROJECTION
		ANGULAR TOL = 2.0		C	
		DRAFT WHERE APPLICABLE MUST REMAIN WITHIN DIMENSIONS			
PRODUCT CUSTOMER DRAWING			73415 SEE TABLE		
DOCUMENT NUMBER SD-73415-095			DOC TYPE PSD	DOC PART 001	SHEET NUMBER 1 OF 1