

**Part Number: BF/BFS Series**  
**1A, 1C Instrumentation Reed Relays**  
**Product Data Sheet**

## PICTURE

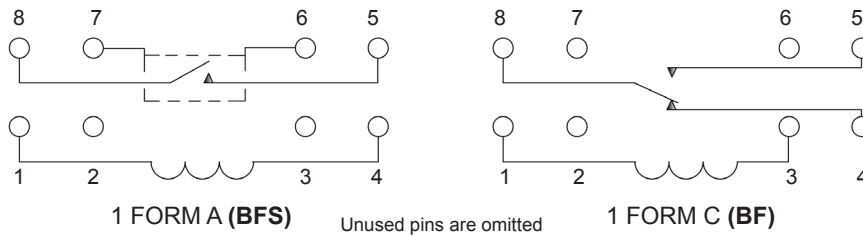


✓ RoHS Compliant

## FEATURES

- High Reliability Instrumentation Grade ( ) reed switch with sputtered Ruthenium contacts
- 1 Form A and 1 Form C contacts
- Industry Standard Footprints (alternate pin-outs available)
- Ideal for Test and Instrumentation applications
- Hermetically sealed contacts for long life
- Optional Electrostatic or Coaxial Shield (50Ω) (Form A only)
- High Insulation Resistance: 10<sup>12</sup> Ω MIN (Form A)
- Metal Cover (reduces magnetic interaction)

## CIRCUIT DIAGRAM (Top View)

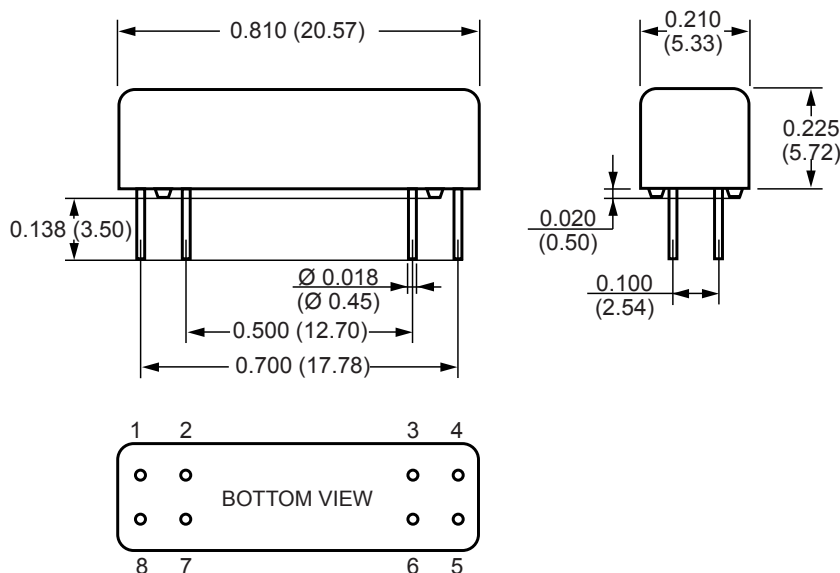


## ORDERING INFORMATION

Series	Form	Coil	Options (1 Form A model only)
BFS	1A	05 12	E = E/S (Tied to pin #7) C = Coaxial (Tied to pins #6 & #7)
BF	1C	05 12	

**Part Number Example:** BFS-1A-XXX      BFS-1A-05E = 1 form A, 5 Volt Coil with E/S Shield  
 BF-1C-XX      BF-1C-05 = 1 form C, 5 Volt Coil

## DIMENSIONS



Drawings not to scale.  
 All dimensions in inches (mm).

As part of the company policy of continued product improvement, specifications may change without notice. Our sales office will be pleased to help you with the latest information on this product range and the details of our full design and manufacturing service. All products are supplied to our standard conditions of sale unless otherwise agreed in writing.

**Phone: (1) 973 777 6900**

**www.comus-intl.com**

**Fax: (1) 973 777 8405**

Belgium: + 32 (0)12 390400 - Comus Europe Ltd (Assemtech) UK: +44 (0) 1255 862236 - Germany: +49 (0)911 923 15 943 - Netherlands: +31(0)45 54 39 345 - India: +(91) (44) 43219090

©2015 Copyright Comus International, 454 Allwood Road, Clifton NJ 07012, USA

**Part Number: BF/BFS Series**  
**1A, 1C Instrumentation Reed Relays**  
**Product Data Sheet**

<b>BFS COIL DATA-STANDARD TYPE 1 FORM A (at 20 °C)</b>				
NOMINAL COIL VOLTAGE (VDC)	COIL RESISTANCE ±10% (Ω)	MAX OPERATE VOLTAGE (VDC)	MIN RELEASE VOLTAGE (VDC)	MAX COIL VOLTAGE (VDC)
5	370	3.8	0.4	7
12	1500	9	1	16

<b>BF COIL DATA-STANDARD TYPE 1 FORM C (at 20 °C)</b>				
NOMINAL COIL VOLTAGE (VDC)	COIL RESISTANCE ±10% (Ω)	MAX OPERATE VOLTAGE (VDC)	MIN RELEASE VOLTAGE (VDC)	MAX COIL VOLTAGE (VDC)
5	230	3.8	0.4	7
12	1500	9	1	16

<b>CONTACT RATING</b>		
RELAY MODEL	1A (BFS)	1C (BF)
Max Switching Power	10 W	5 W
Max Switching Voltage	200 VDC	150 VDC
Max Switching Current	0.5 A	0.25 A
Max Carry Current	1.5 A	1 A

<b>SPECIFICATIONS</b>		
RELAY MODEL	1A (BFS)	1C (BF)
Contact Resistance (Initial)	100 mΩ	150 mΩ
Operate Time - including Bounce (at Nominal Voltage) (Typical)	0.5 ms	1.0 ms
Release Time (Typical)	0.1 ms	2.0 ms
Insulation Resistance Between all Isolated pins (+20°C, 40%RH, 100V) (MIN)	10 <sup>12</sup> Ω	10 <sup>9</sup> Ω
Dielectric Strength: Across Contacts (DC/Peak AC Resistive) (MIN)	250 V	200 V
Dielectric Strength: Contacts to Coil (DC/Peak AC Resistive) (MIN)	1500 V	1500 V
Dielectric Strength: Contacts/Shield to Coil (DC/Peak AC Resistive) (MIN)	1500 V	N/A
Capacitance Across Open Contacts: Shield Floating/Guarding (Typical)	1.0 / 0.3 pF	2.0 pF
Vibration	20G	
Shock	50G	
Operating Temperature	-25°C to 85°C	
Storage Temperature	-35°C to 100°C	
Life Expectancy (1.0V, 10mA Load) (Typical)	500 x 10 <sup>6</sup> Ops	100 x 10 <sup>6</sup> Ops

As part of the company policy of continued product improvement, specifications may change without notice. Our sales office will be pleased to help you with the latest information on this product range and the details of our full design and manufacturing service. All products are supplied to our standard conditions of sale unless otherwise agreed in writing.

**Phone: (1) 973 777 6900**      **www.comus-intl.com**      **Fax: (1) 973 777 8405**

Belgium: + 32 (0)12 390400 - Comus Europe Ltd (Assemtech) UK: +44 (0) 1255 862236 - Germany: +49 (0)911 923 15 943 - Netherlands: +31(0)45 54 39 345 - India: +(91) (44) 43219090

©2015 Copyright Comus International, 454 Allwood Road, Clifton NJ 07012, USA