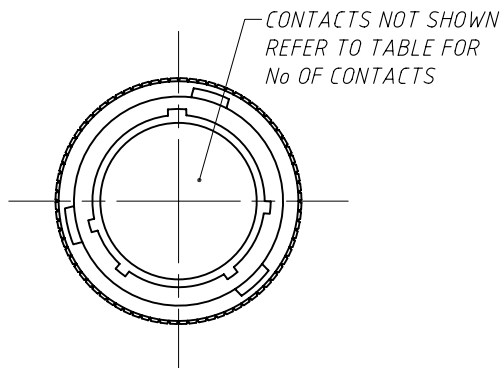
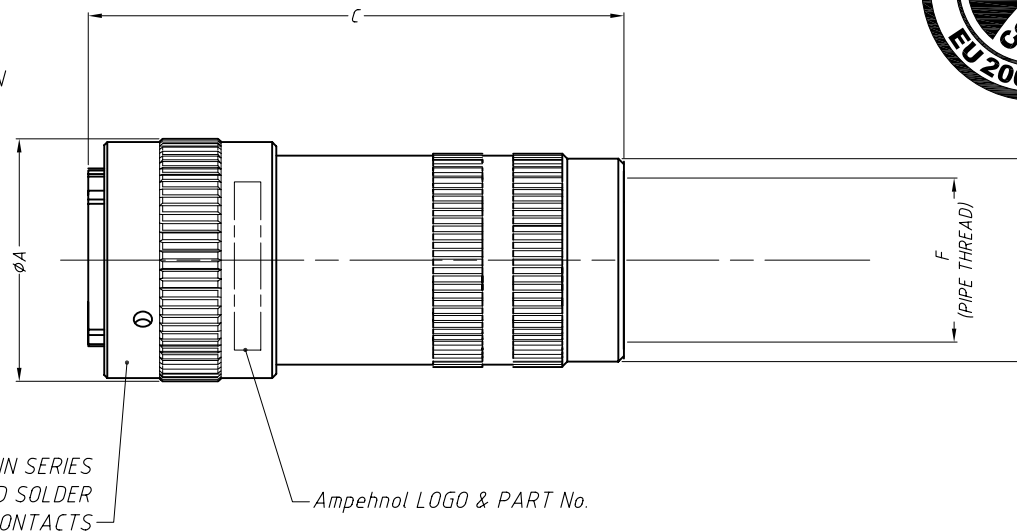


ISO VIEW
(FOR DUST CAP OPTION
REFER TO TABLE)



CONTACTS NOT SHOWN
REFER TO TABLE FOR
No OF CONTACTS



STRAIGHT PLUG 62IN SERIES
WITH GOLD PLATED SOLDER
PIN CONTACTS

Amphenol LOGO & PART No.

| ITEM | PART No | DUST CAP OPTION | SHELL SIZE | No OF CONTACTS | DIA A | DIA B | C | THREAD F |
|------|---------------|-----------------|------------|----------------|-------|-------|-----|---------------|
| 1 | MP-6516-39P | NO | 20 | 39 | 39.0 | 34 | 90 | 3/4" - 14 NPT |
| 2 | MP-6516-39P-C | YES | | | | | | |
| 3 | MP-6516-61P | NO | 24 | 61 | 45.5 | 41 | 100 | 3/4" - 14 NPT |
| 4 | MP-6516-61P-C | YES | | | | | | |

NOTES:

- MATERIAL & FINISH: DIE CAST ALUMINUM ALLOY, BLACK FINISH
- ASSEMBLY TO BE SUPPLIED WITH GOLD PLATED PIN CONTACTS

CUSTOMER DRAWING

| | | | | | | | | | |
|--|--------------|--|------------|----------|---------------------------------|----------------|--|----------|--------|
| UNLESS OTHERWISE SPECIFIED TOLERANCE TO BE | | THIS DOCUMENT IS THE PROPERTY OF AMPHENOL AUSTRALIA PTY. LTD.. NO PART THEREOF MAY BE REPRODUCED AND USED WITHOUT THE PRIOR WRITTEN CONSENT OF THE OWNER | | | 0 | FIRST ISSUE | L.V | 20-10-05 | ---- |
| LINEAR | ANGULAR | CAD FILE: | DRN: | DATE: | REV. | CHANGE DETAILS | BY | DATE | CHG/No |
| X ± | X° ± 1° | 55010308000121 | L.V | 20-10-05 | | | | | |
| X.X ± | X°X' ± 30' | BREAK ALL SHARP EDGES AND REMOVE ALL BURRS | MATL: | DATE: | | | | | |
| X.XX ± | X°X'X" ± 15" | DO NOT SCALE | SEE NOTE 1 | 20/02/06 | | | | | |
| DIMENSIONS IN MILLIMETRES | | FINISH: | SEE NOTE 2 | DATE: | | | | | |
| | | THIRD ANGLE PROJECTION | | SCALE: | NTS | PART No: | SEE TABLE | SIZE: | A4 |
| | | | | | TITLE: | | DRAWING NO. | | SHEET |
| | | | | | STRAIGHT CABLE PLUG PIN CONTACT | | 55010308-000-2 | | 1 OF 2 |
| | | | | | | | Amphenol | | |
| | | | | | | | Amphenol Australia Pty.Ltd, 2 Fiveways Blvd, Keysborough, Vic.3173 | | |