

6

5

4

3

2

1

APPROVED: _____

DATE: _____ TITLE: _____

Rev	AWO #	Description	Date	Appr
-		REFERENCE	09/08/16	

THIS IS A CUSTOM CABLE PRODUCT THAT IS NON-CANCELABLE / NON-RETURNABLE

D

D

C

C

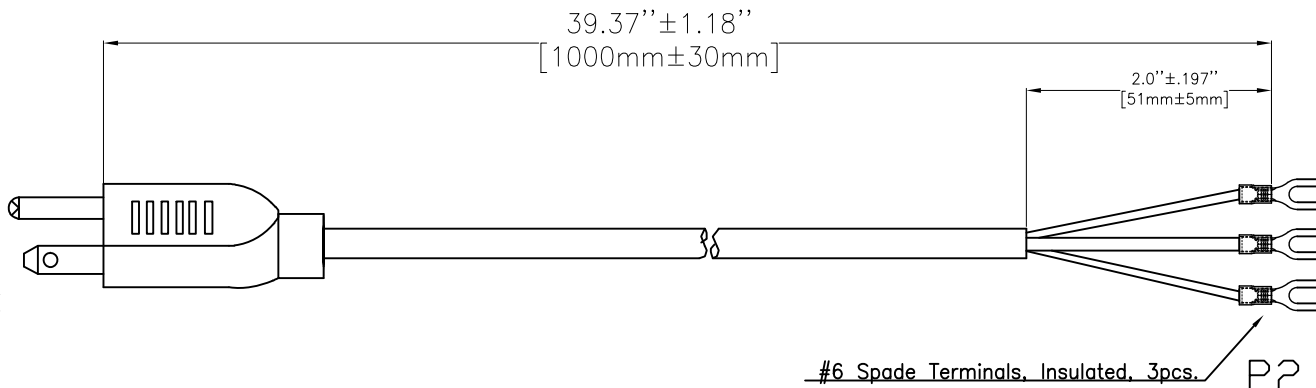
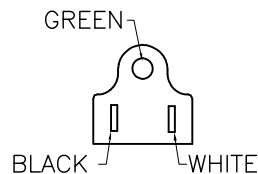
B

B

A

A

P1



SPECIFICATIONS:

Connector:

P1: NEMA 5-15P PLUG.

P2: #6 Spade Terminals, Red Insulated.

Cable:

18AWG*3C, SJT, 105°C., UL, Wire colors BLK, WHT and GRN, JACKET COLOUR: BLACK.

Electrical Test:

All Assemblies must be 100% Tested for Shorts, Open, Continuity, and Physical Appearance.

Environmental:

Lead free, RoHS compliant



UNLESS OTHERWISE SPECIFIED ALL DIMENSIONS ARE INCHES [MM] TOLERANCES: EXCEPT AS NOTED INCHES HOLES		ADAM TECH 909 Rahway Avenue, Union, NJ 07083 Phone: 908-687-5000 Fax: 908-687-5710	
.X ± .10	∅.X ± .10		
.XX ± .020	∅.XX ± .015	TITLE	
.XXX ± .015	∅.XXX ± .010	EUROPEAN POWER CORD COLOR BLACK, SJT 18AWG*3C CABLE	
APPROVALS		SIZE	PART NO.
DRAWN	RL	X	PC-0115033QC03-AN12409
CHECKED	CH	REF:	SCALE: NTS
APPROVED			SHEET 1 OF 1

6

5

4

3

2

1