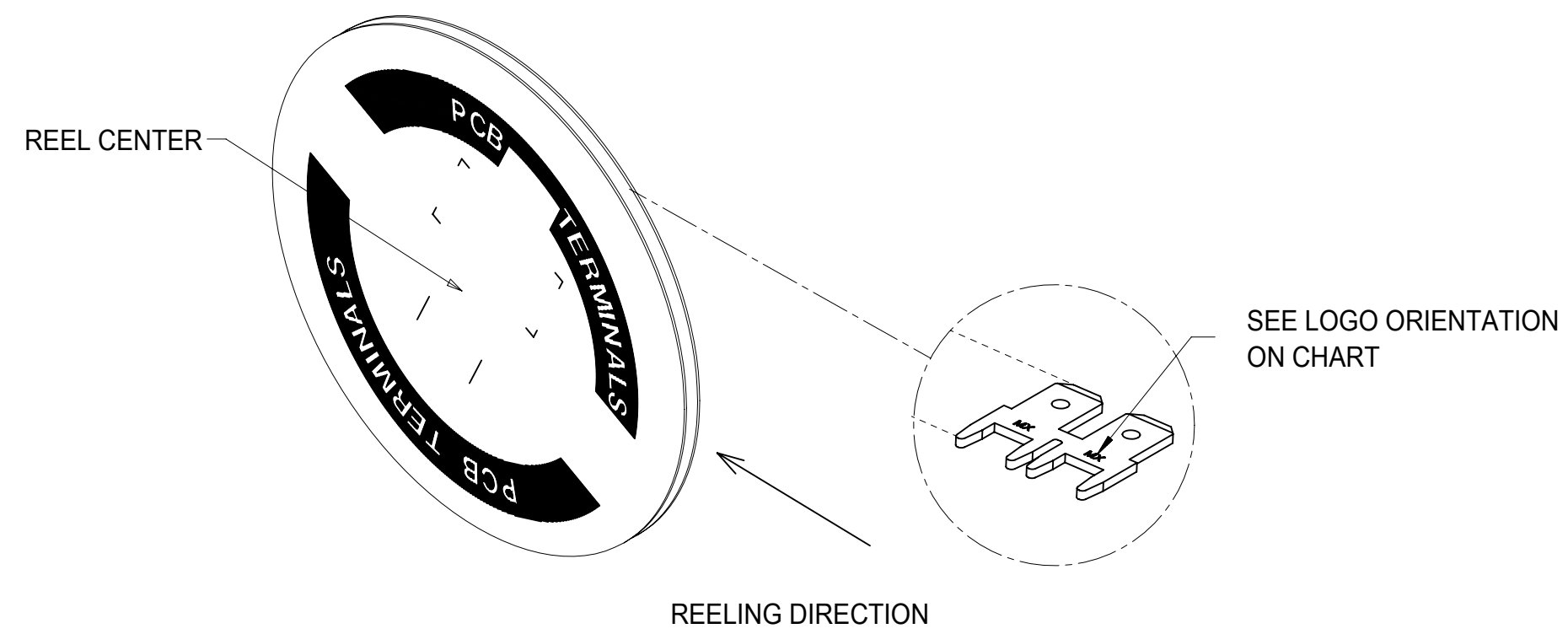
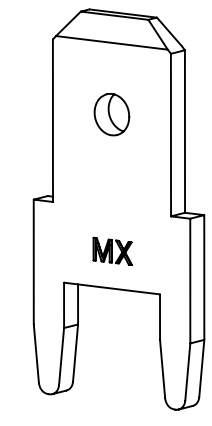
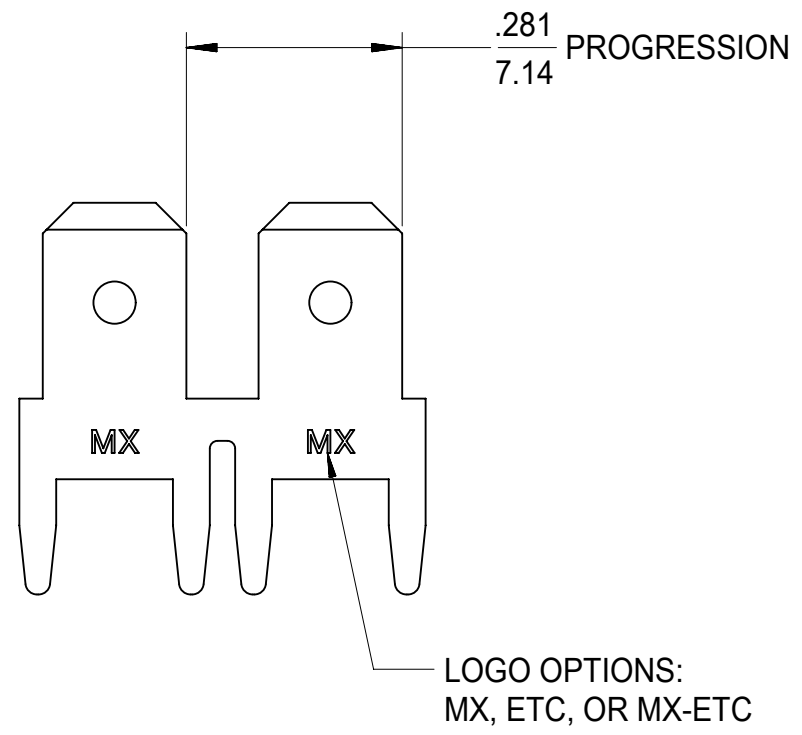
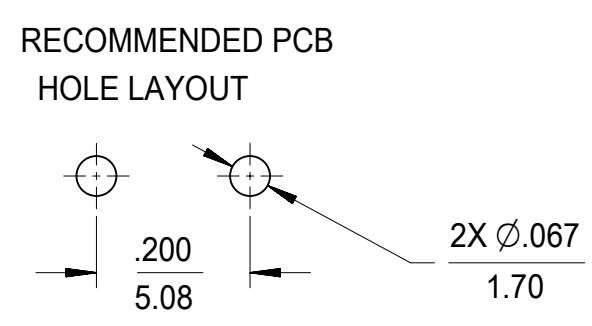
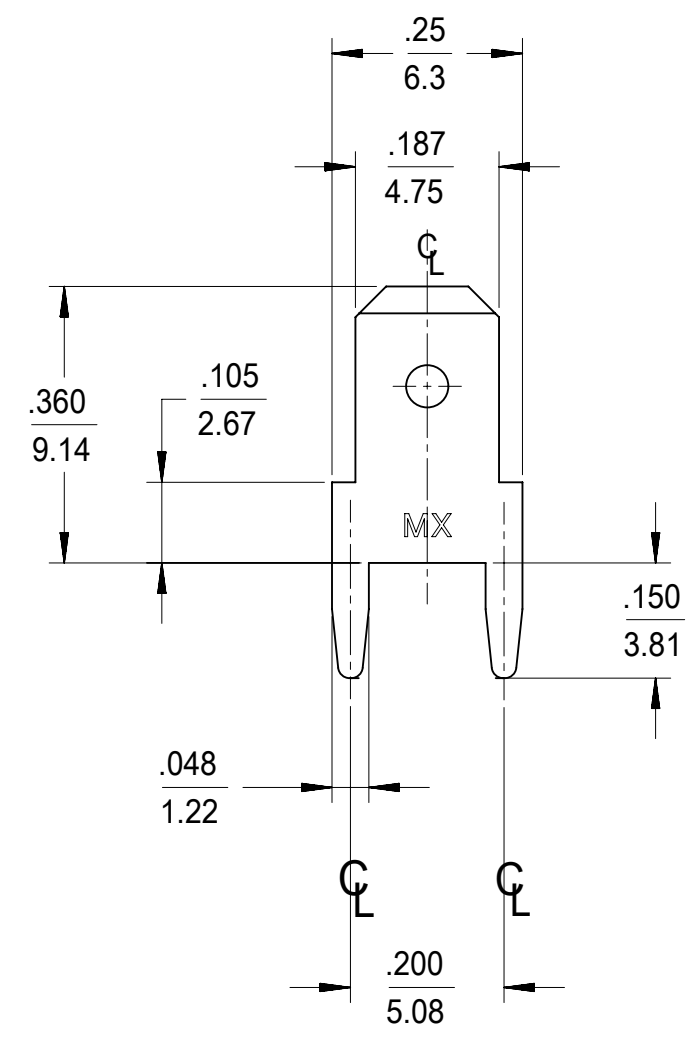


MATERIAL NUMBER	ENGINEERING NUMBER	CARRIER	QTY PER REEL	TAB THICKNESS	LOGO ORIENTATION
197084003	19708-4003	STRIP	7	.020/0.51	IN
197084013	19708-4013	STRIP	8	.032/0.81	
197084015	19708-4015	STRIP			
197084001	19708-4001	LOOSE	NA	.020/0.51	NA
197084011	19708-4011	LOOSE	NA	.032/0.81	NA



- NOTES:
- BARE EDGES PERMISSIBLE AT CARRIER CUT OFF.
 - MATERIAL: BRASS C26000
 - MATERIAL THICKNESS: SEE CHART
 - TAB CONFORMS TO NEMA SPECIFICATIONS.
 - ALL DIMENSIONS AND NOTES REFERENCE UNLESS OTHERWISE NOTED.
 - PLATING: MATTE TIN, 150µIN/3.81µmm MINIMUM THICKNESS OVER NICKEL 50µIN/1.25µmm MINIMUM THICKNESS.
 - 7 REF: 15,000 PARTS TOTAL PER REEL. THE REEL HAS 14" DIAMETER REEL WITH A 1.25" DIAMETER CENTER HOLE.
 - 8 REF: 10,000 PARTS TOTAL PER REEL. THE REEL HAS 14" DIAMETER REEL WITH A 1.25" DIAMETER CENTER HOLE.
 - PART IS RoHS COMPLIANT.

FUNCTIONAL SYMBOLS	THIS DRAWING CONTAINS INFORMATION THAT IS PROPRIETARY TO MOLEX ELECTRONIC TECHNOLOGIES, LLC AND SHOULD NOT BE USED WITHOUT WRITTEN PERMISSION														
	DIMENSION UNITS	SCALE		CURRENT REV DESC: ADD NOTE 8: 10K PCS PER REEL. ADD QTY PER REEL COLUMN 15K (197084003) & 10K (197084013 & -4015).						molex					
FA = 0	IN/MM	4:1		GENERAL TOLERANCES (UNLESS SPECIFIED)								QUICK DISCONNECT PCB MOUNTABLE .187 X .032/.020 TAB			
FC = 0		MM	INCH												
DIVISIONAL SYMBOLS	4 PLACES	±	±	EC NO: 656903 DRWN: DMYRICK 2021/03/01 CHK'D: CANDREW 2021/03/08 APPR: CANDREW 2021/03/08						PRODUCT CUSTOMER DRAWING					
	3 PLACES	±	± 0.005												
	2 PLACES	± 0.13	± 0.01							INITIAL REVISION:		DOCUMENT NUMBER	DOC TYPE	DOC PART	REVISION
	1 PLACE	± 0.25	±							DRWN: BDEROSS 2000/08/24	SD-19708-400		PSD	001	J3
0 PLACES	±	±	ANGULAR TOL ± 1.0 °	APPR: RDEROSS 2000/08/28	MATERIAL NUMBER		CUSTOMER		SHEET NUMBER						
DRAFT WHERE APPLICABLE MUST REMAIN WITHIN DIMENSIONS				THIRD ANGLE PROJECTION	DRAWING	SERIES	SEE CHART	GENERAL MARKET	1 OF 1						

DOCUMENT STATUS	P1	RELEASE DATE	2021/03/08 22:28:31
-----------------	----	--------------	---------------------