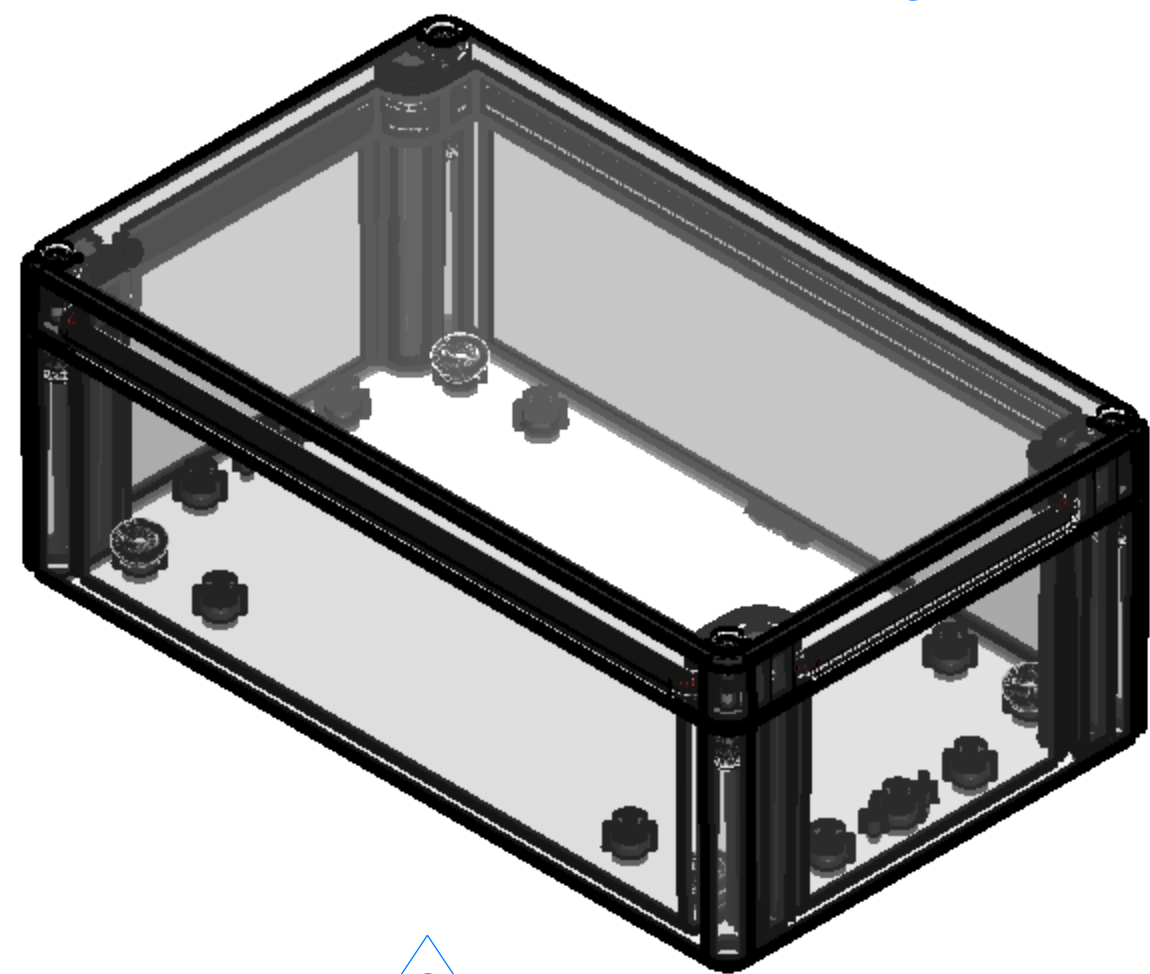
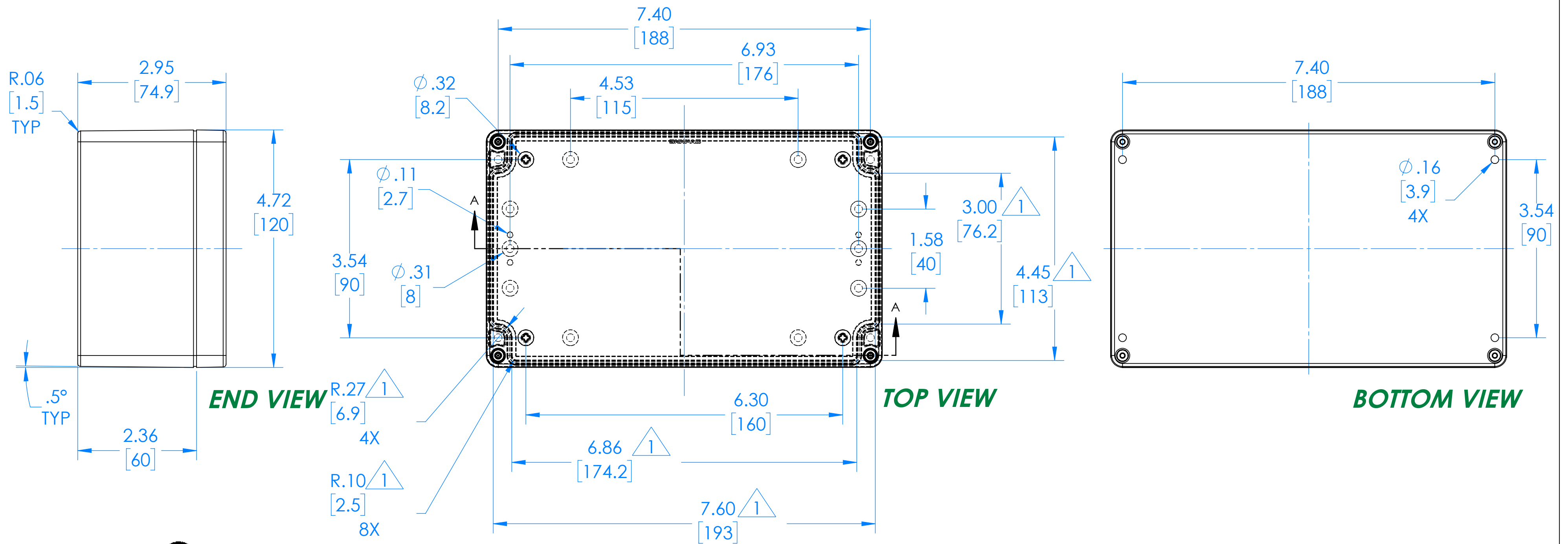


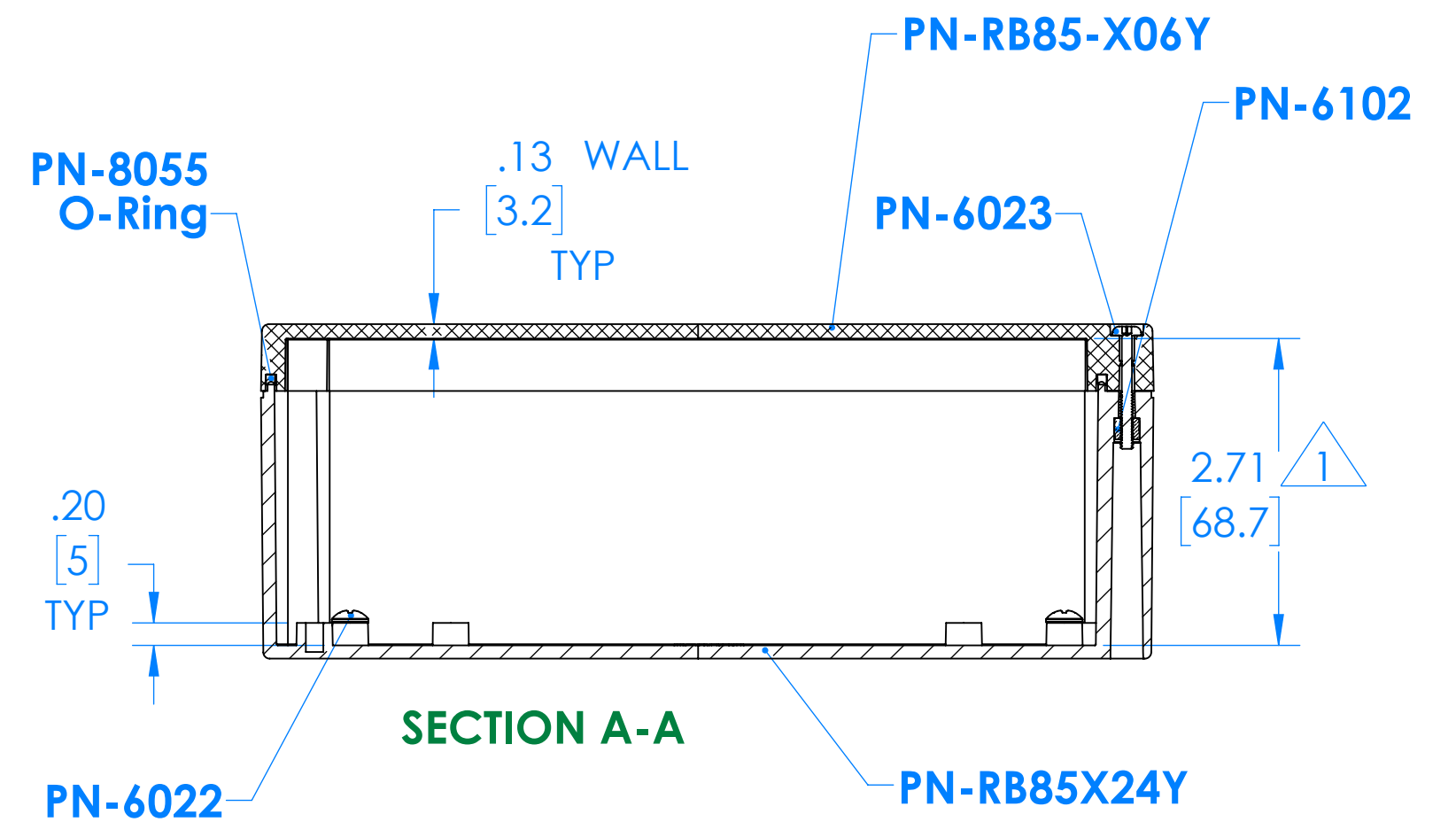
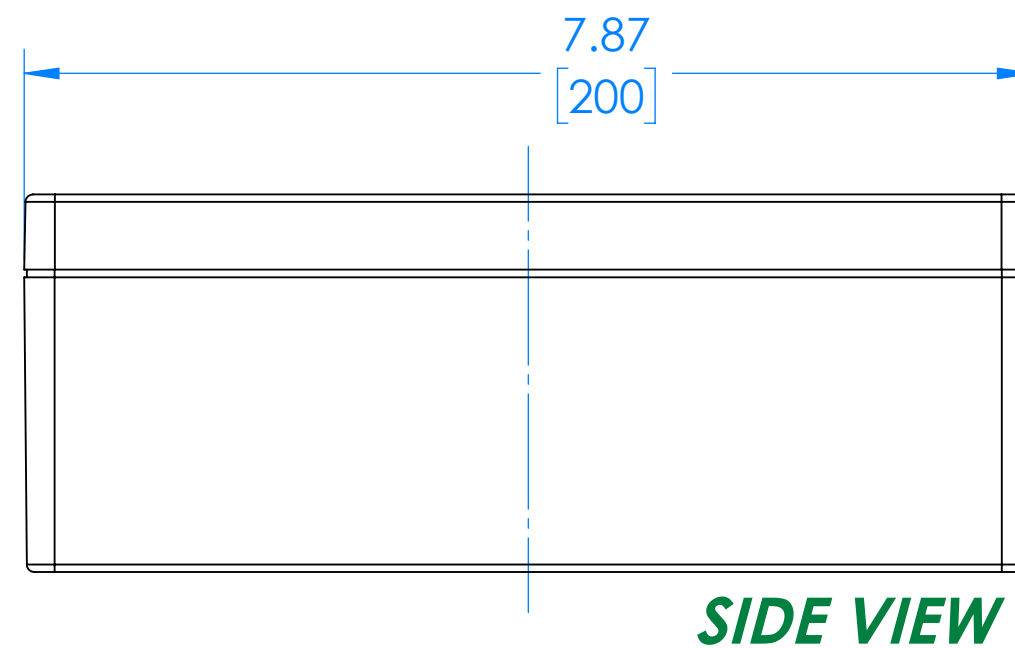
# SERPAC RB85X06Y24Y

Electronic Enclosures

2



**RB85X06C24C** 2  
 (Part shown, no material (X) specified)



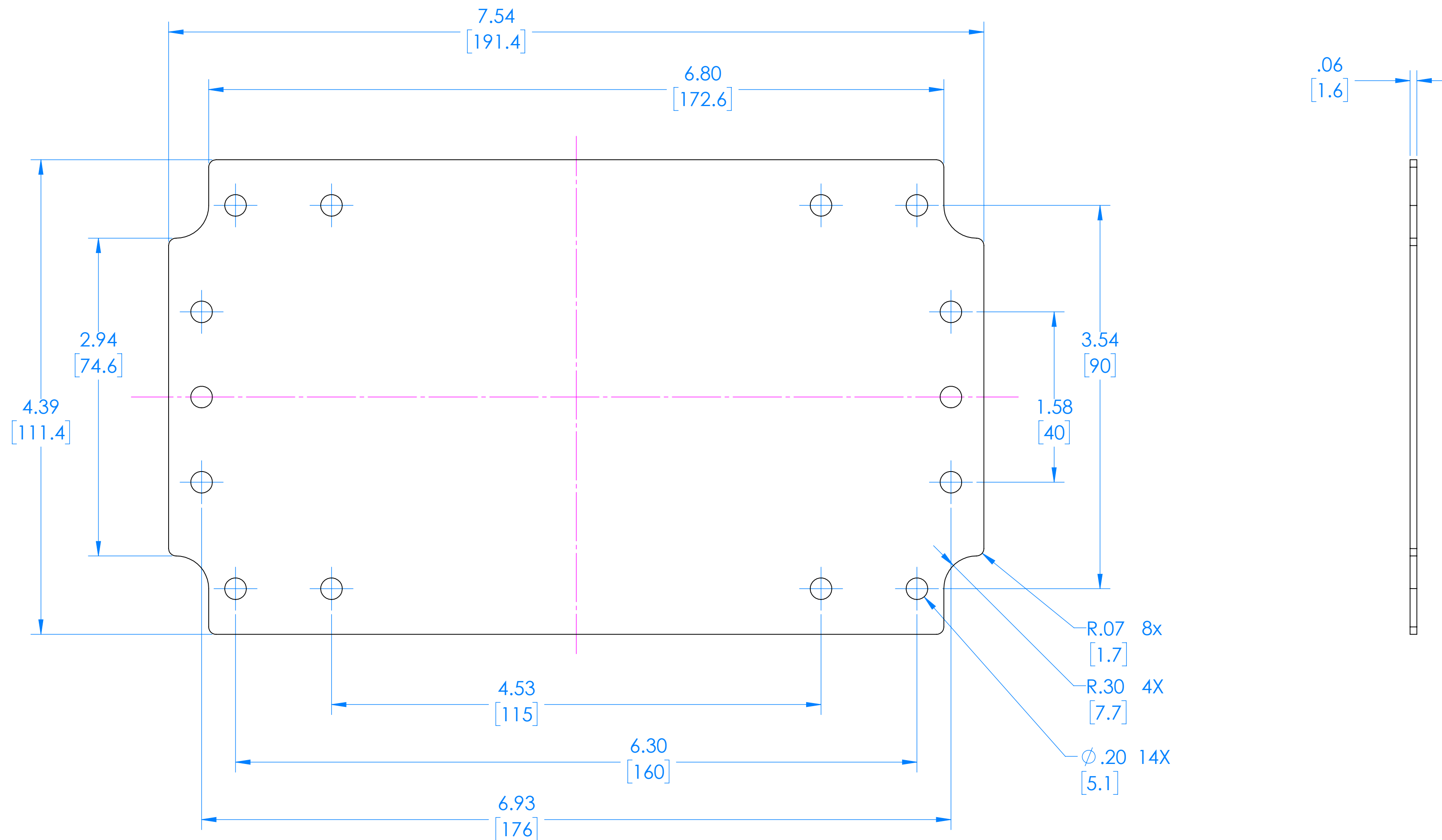
PN	Description
RB85-X06Y	(1) RB85-X06Y, Top
RB85X24Y	(1) RB85X24Y, Bottom
8085	(1) RB85 O-Ring
6023	(4) #4-40 Torx 10 Hd Screw
6022	(4) #10 High/Low Pan Hd x 1/4"
6102	(4) #4-40 Threaded Insert

1 = INTERIOR DIMENSIONS (@ BOTTOM)  
 2 = STANDARD COLORS (Y) ARE: BLACK (B), CLEAR (C) AND GRAY (G)  
 TOPS AND BOTTOMS ALL POSSIBLE COMBINATIONS AVAILABLE  
 STANDARD MATERIALS (X) IS: POLYCARBONATE (P)

-Watertight enclosure meets or exceed Nema 4 and or IP67.

DIMENSIONS in Inch [mm]

# RB85 Circuit Board (Fits all Parts starting with RB85)



- R.07 8x [1.7]
- R.30 4X [7.7]
- Ø.20 14X [5.1]

**(REFERENCE ONLY)**