

TMR3105AP

TMR Magnetic Rotary Encoder

Description

The TMR3105AP is a contactless, high-precision, and high-speed magnetic rotary encoder sensor, which integrated with tunneling magnetoresistance (TMR) sensors and CMOS digital signal processing circuitry.

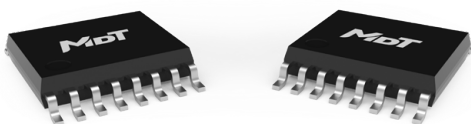
The TMR3105AP senses the single pole-pair magnet rotation above the chip by TMR sensors, collects the rotating magnetic field signal, transmits it to the digital processing unit, and calculates the rotation angle. TMR3105AP outputs 12-bit absolute position signal through SPI communication protocol. At the same time, it is able to output A/B phase programmable incremental position signal with 1 to 1024 pulse and programmable zero-point (Z phase) signal. TMR3105AP also provides inverted UVW output, analog and PWM signals, with rotational speed up to 20,000 RPM.

Features and Benefits

- Tunneling magnetoresistance (TMR) technology
- Contactless measurement
- Available in SPI, ABZ differential, UVW, Analog and PWM interfaces
- 12-bit absolute position output in SPI mode
- Programmable A/B interpolation factors: $\times 1$ to $\times 1024$
- Programmable Z pulse width in 1LSB/2LSB/4LSB/180°
- Programmable inverted UVW output resolution in 1 to 16 pole-pair
- Programmable analog clamping voltage and PWM frequency
- Programmable zero position
- Angular repeatability $\leq \pm 0.2^\circ$
- Speeds up to 20,000 RPM
- Adaptive supply voltage: 3.3 V to 5 V

Applications

- Contactless angular position measurement
- Brushless motor position sensing
- Rotary speed sensing
- Robotics



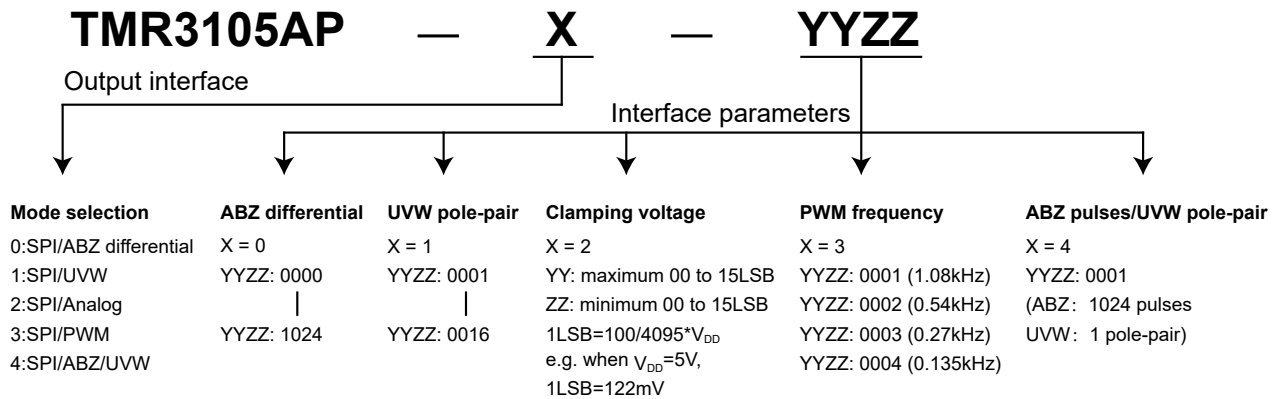
TSSOP16L



Selection Guide

Part Number(*)	Output Interface	SPI Interface Voltage	Operating Temperature	Package	Packing Form
TMR3105AP-0-1024	SPI / ABZ differential	3.3 V to 5.0 V	-40 °C to 125 °C	TSSOP16L	Tape & Reel

Note: *Please contact MDT local sales representative for more model's information.



Catalogue

1. Pin Configuration	03
2. Absolute Maximum Ratings	04
3. Electrical Specifications	04
4. Signal Conversion Specifications	04
5. Digital Interface Signals	05
6. Digital Output Signals	05
7. Analog Output Characteristics	05
8. PWM Characteristics	05
9. Magnetic Field Specification	06
10. Output mode	07
10.1 SPI output	07
10.2 ABZ output	09
10.3 UVW output	10
10.4 Analog output	11
10.5 PWM output	12
11. Mechanical Angle Orientation	13
12. Dimensions	14

1. Pin Configuration

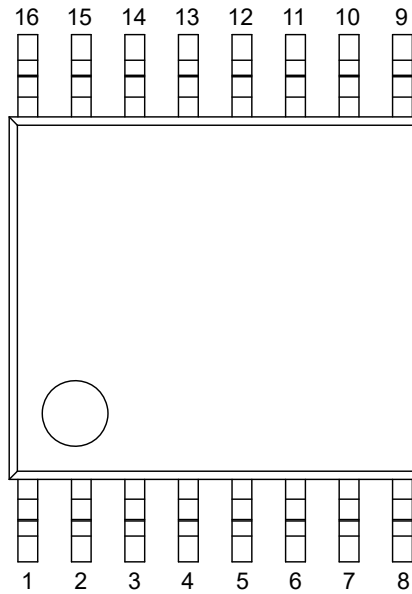


Figure 1. Pin configuration (TSSOP16L)

Pin Number	Name	Input/Output	Signal type	Function
1	U/A-	Output	Digital	U phase invert signal or A phase negative pulse signal
2	V/B-	Output	Digital	V phase invert signal or B phase negative pulse signal
3	W/Z-	Output	Digital	W phase invert signal or Z phase negative pulse signal
4	OUT	Output	Analog or digital	Analog linear output or PWM output
5	MISO	Output	Digital	SPI data out
6	MOSI	Input	Digital	SPI data in
7	SCLK	Input	Digital	SPI clock
8	CS	Input	Digital	SPI chip select
9	V _{DD}	Input	Power supply	Power supply
10	NC	-	-	Not connected
11	NC	-	-	Not connected
12	GND	Input	GND	GND
13	ERROR	Output	Digital	Error signal
14	Z	Output	Digital	Zero position pulse signal
15	B	Output	Digital	Phase B pulse signal
16	A	Output	Digital	Phase A pulse signal

2. Absolute Maximum Ratings

Parameter	Symbol	Min.	Max.	Unit
Supply voltage	V_{DD}	-	6	V
Magnetic flux density	B	-	4000	Gs
Operating ambient temperature	T_A	-40	125	°C
Storage ambient temperature	T_{STG}	-40	150	°C
Ambient humidity (no dew)	HMD	10	90	%RH
ESD performance (HBM)	V_{ESD}	-	2	kV

The Absolute Maximum Rating parameters is only a condition to ensure that the chip is not permanently damaged. For normal operating conditions, please refer to Electrical Specifications.

3. Electrical Specifications

$V_{DD} = 3.3\text{ V to }5\text{ V}$, $T_A = 25\text{ °C}$

Parameter	Symbol	Condition	Min.	Typ.	Max.	Unit
Supply voltage	V_{DD}	-	3.3	-	5	V
Supply current	I_{DD}	No output load	-	8	10	mA
Output voltage	V_{OUT}	MISO, A, B, Z, U, V, W, ERROR	-0.3	-	V_{DD}	V
MISO output current	I_{OUT1}	-	-1.25	-	1.25	mA
Input voltage	V_{IN1}	MOSI, CS, SCLK	-0.3	-	V_{DD}	V

4. Signal Conversion Specifications

Parameter	Symbol	Condition	Min.	Typ.	Max.	Unit
Measurement range	A_{range}	-	0	-	360	Deg
Absolute resolution	RES_{SDC}	-	-	12	-	bit
Nonlinearity error	INL_{OPT}	-	-	±0.5	±1	Deg
Nonlinearity error (full temperature range)	INL_{drift}	-40°C~125°C	-	-	±1.2	Deg
Differential nonlinearity	DNL	-	-	-	±0.132	Deg
Hysteresis	Hyst	-	-	-	±0.308	Deg
Repeatability	A_{REPEAT}	-	-	-	±0.176	Deg
Output delay	T_D	-	-	5	10	µs
Rotation speed	R_{speed}	-	-	-	20000	RPM

5. Digital Interface Signals

CS, SCLK, MOSI, MISO

Parameter	Symbol	Condition	Min.	Typ.	Max.	Unit
Input threshold high	$V_{I(HI)}$	-	3.3	-	-	V
Input threshold low	$V_{I(LO)}$	-	-	-	1	V
Output threshold high	$V_{O(HI)}$	I = 1 mA	4.5	-	-	V
Output threshold low	$V_{O(LO)}$	I = 1 mA	-	-	0.5	V
Output load capacitance	C_L	-	-	-	100	pF

6. Digital Output Signals

A, B, Z, U, V, W

Parameter	Symbol	Condition	Min.	Typ.	Max.	Unit
Saturation voltage high	$V_{S(HI)}$	I = 1 mA	4.5	-	-	V
Saturation voltage low	$V_{S(LO)}$	I = 1 mA	-	-	0.5	V
Rise time	T_{rise}	$C_L = 100$ pF	-	-	150	ns
Fall time	T_{fall}	$C_L = 100$ pF	-	-	150	ns

7. Analog Output Characteristics

Parameter	Symbol	Condition	Min.	Typ.	Max.	Unit
Output load resistance	R_L	-	-	10	-	k Ω
Output load capacitance	C_L	-	-	10	-	nF
Minimum resolution of digital-to-analog conversion	DAC_{LSB}	12bit	-	0.024	-	% V_{DD}
Integral nonlinearity of digital-to-analog conversion	DAC_{INL}	-	-	-	± 1.5	Deg
Differential nonlinearity of digital-to-analog conversion	DAC_{DNL}	-	-	-	± 0.5	Deg
Analog output noise	DAC_{noise}	-	-	-	± 2	LSB
Proportional error	E_{rm}	-	-0.3	-	0.3	%

8. PWM Characteristics

Parameter	Symbol	Condition	Min.	Typ.	Max.	Unit
PWM frequency	F_{PWM}	Programmable	-10%	1.08 0.54 0.27 0.135	+10%	kHz
Rise time	T_{rise}	10 nF load	-	-	1	μ s
Fall time	T_{fall}	10 nF load	-	-	1	μ s

9. Magnetic Field Specification

Recommended magnet: cylindrical NdFeB magnet, $\phi 6\text{mm} \times 2.5\text{mm}$, radial magnetization

Parameter	Symbol	Condition	Min.	Typ.	Max.	Unit
Diameter of magnet	d_{mag}	-	3.0	6.0	20	mm
Thickness of magnet	t_{mag}	-	-	2.5	-	mm
Mounting distance	D_{in}	Recommend magnet ($\phi 6\text{mm}$)	-	6	-	mm
Magnetic field	H_{ext}	Sensor surface	-	300	-	Gs
Center deviation between magnet and sensor	x_{dis}	-	-	-	0.25	mm
Center deviation between sensor and package	x_{pac}	-	-0.15	-	0.15	mm
Angle deviation of the sensor within package	ϕ_{pac}	-	-3	-	3	Deg
Sensor to package clearance	h_{pac}	-	-	0.4	-	mm

10. Output mode

10.1 SPI output

TMR3105AP provides the 4-wire SPI interface for user programming in common mode 1 (CPOL=0, CPHA=1). Data communication is only enabled when the CS pin is set to LOW. The MOSI pin carries the serial input data that will be written to the IC upon the falling edge of the SCLK signal. The serial output data is available to read at the MISO pin upon the rising edge of the SCLK signal.

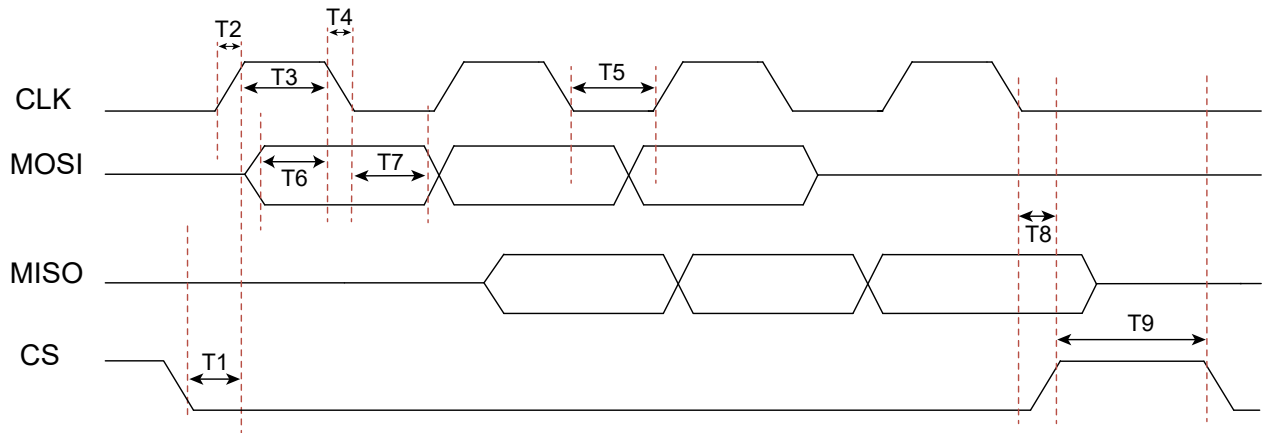


Figure 2. SPI timing diagram

Signal	Definition	Min.	Typ.	Max.	Unit
T1	SPI start-up time	-	150	-	ns
T2/T4	Clock signal rising/falling time	-	-	25	ns
T3	Clock signal HIGH period	150	-	-	ns
T5	Clock signal LOW period	150	-	-	ns
T6	Input signal setup time	100	-	-	ns
T7	Input signal sampling hold time	100	-	-	ns
T8	SPI closing time	-	150	-	ns
T9	SPI reading interval	4	-	-	μs

Reading angular values

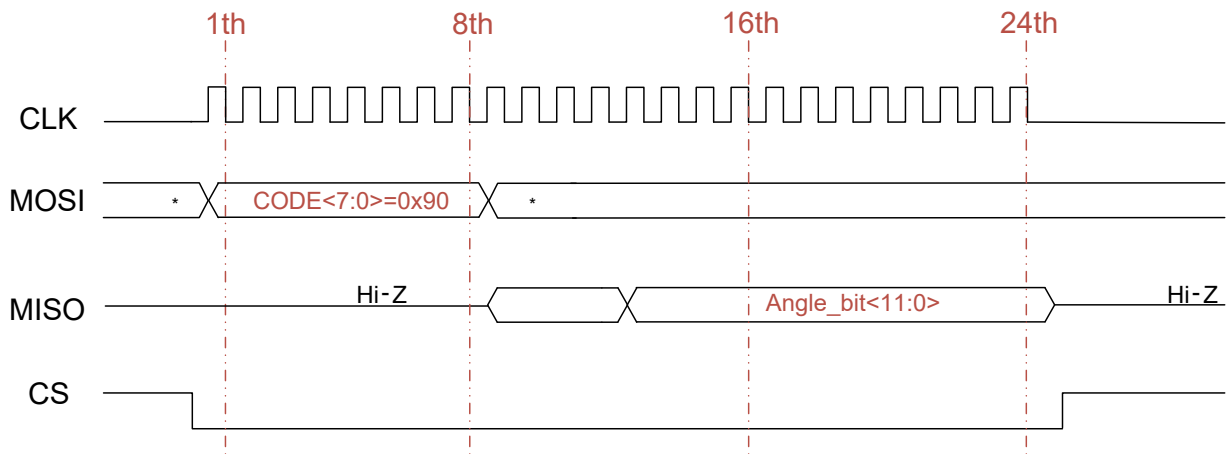


Figure 3. SPI timing diagram in reading angular values

Opcode<7:0>=0x90 (MSB first), angular value output <11:0> (MSB first)

The absolute angular value θ in 0° to 360° can be calculated from the equation below:

$$\theta = \frac{\sum_{i=0}^{11} 2^{Angle\langle i \rangle}}{4096} \times 360^\circ$$

10.2 ABZ output

TMR3105AP provides the incremental digital ABZ output through the A/B/Z pins. The A/B signals output interpolation factors can be programmed from 1 to 1024 pulses. Phase B precedes phase A when the magnet rotates counter-clockwise under the default settings as shown in Figure 4. The phase Z width is programmable in 1LSB, 2LSB, 4LSB and 180° modes.

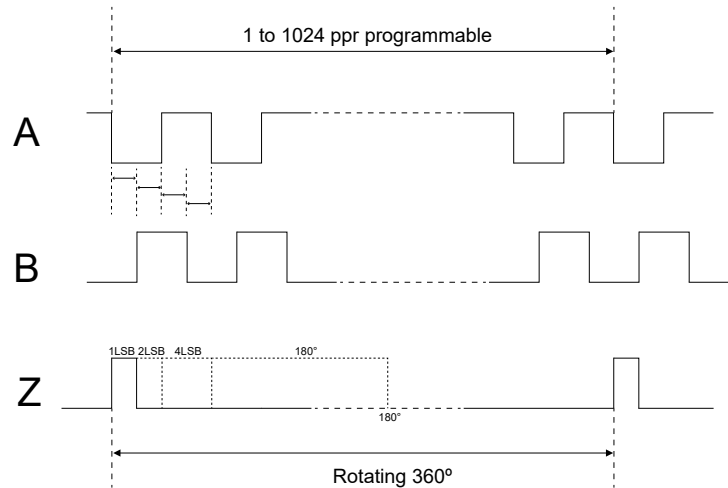


Figure 4. ABZ signal timing diagram

TMR3105AP is available in ABZ differential mode through output mode setting. A/B/Z pins multiplex U/V/W pins.

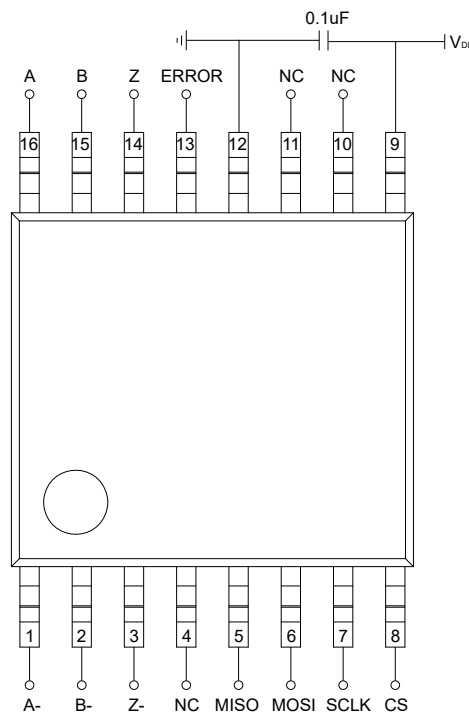


Figure 5. Schematic circuit of ABZ mode

The xMR310X calibration kit and corresponding host computer software is provided for the convenience of customer calibration and settings. The parameters settings for the zero position (phase Z), width of phase Z, hysteresis parameters, PPR parameters, and CW/CCW setup of TMR3105AP sensor can be performed by this xMR310X calibration kit.

10.3 UVW output

TMR3105AP provides UVW commutation output signals with a phase difference of 1/3 cycle between each other for detecting brushless DC motors. TMR3105AP is available in UVW mode through output mode setting, and the pole-pair quantity is programmable in 1 to 16 as shown in Figure 6. The schematic circuit of UVW mode is shown in Figure 7.

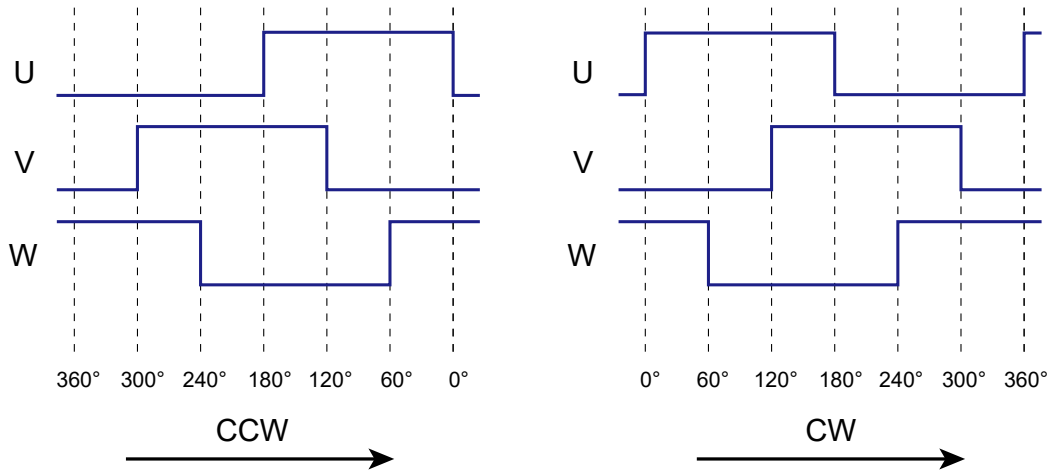


Figure 6. UVW output diagram

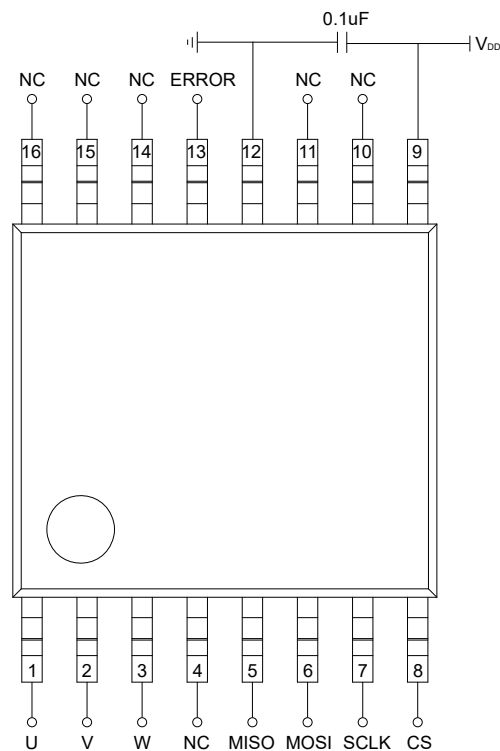


Figure 7. Schematic circuit of UVW mode

The xMR310X calibration kit and corresponding host computer software is provided for the convenience of customer calibration and settings. The UVW pole-pair quantity of TMR3105AP sensor can be set by this xMR310X calibration kit.

10.4 Analog output

TMR3105AP integrates a 12-bit ADC to convert absolute angle to linear analog output. The output mode needs to be programmed to be an analog voltage output as shown in Figure 8.

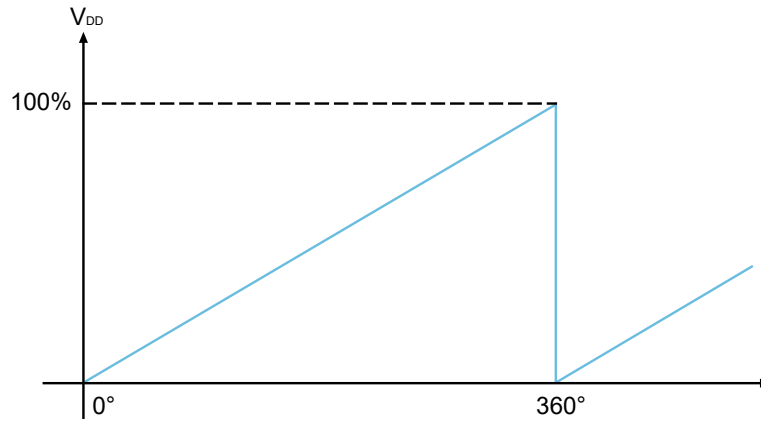


Figure 8. Waveform of analog output

It is recommended to connect an external decoupling capacitor C1 (typical value 10nF, maximum 100nF) and pull-up resistor R1 (typical value 10kΩ) for analog output circuit to obtain better performance.

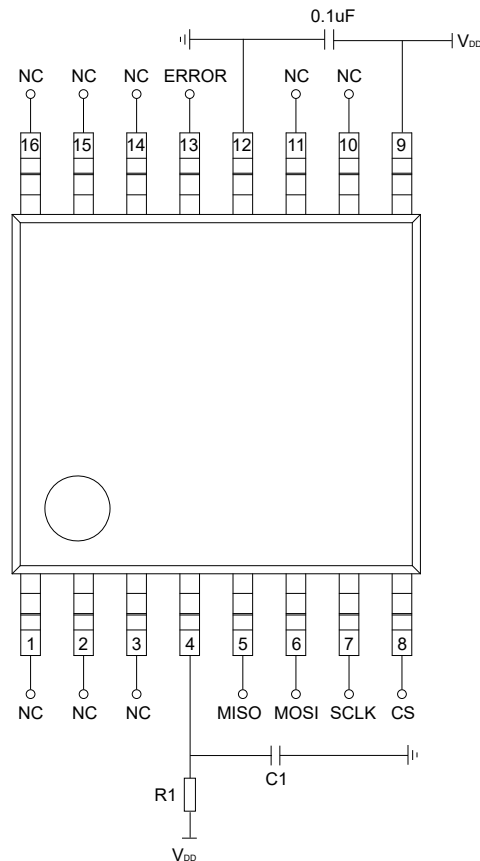


Figure 9. Schematic circuit of analog mode

The high clamping voltage (Clamp_High) and low clamping voltage (Clamp_Low) of analog output characteristic curves are both programmable as shown in Figure 10.

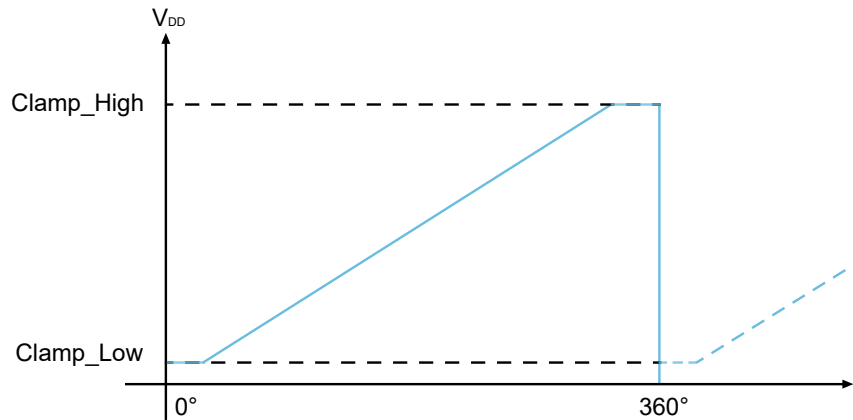


Figure 10. Schematic of clamping voltage in analog waveform

The xMR310X calibration kit and corresponding host computer software is provided for the convenience of customer calibration and settings. The clamping voltage in analog mode of TMR3105AP sensor can be set by this xMR310X calibration kit.

10.5 PWM output

TMR3105AP supports pulse width modulation (PWM) output. The duty cycle of PWM is a logic signal which proportional to the magnetic field angle. The duty cycle is limited by the minimum value (1/4096 of the period) and the maximum value (4095/4096 of the period), so the duty cycle varies from 1/4096 to 4095/4096 with the resolution of 12-bits. Figure 11 shows one period of the PWM signal, and the period (T) is $1/F_{PWM}$.

F_{PWM} supports 1.08 kHz, 0.54 kHz, 0.27 kHz, and 0.135 kHz these four frequencies.

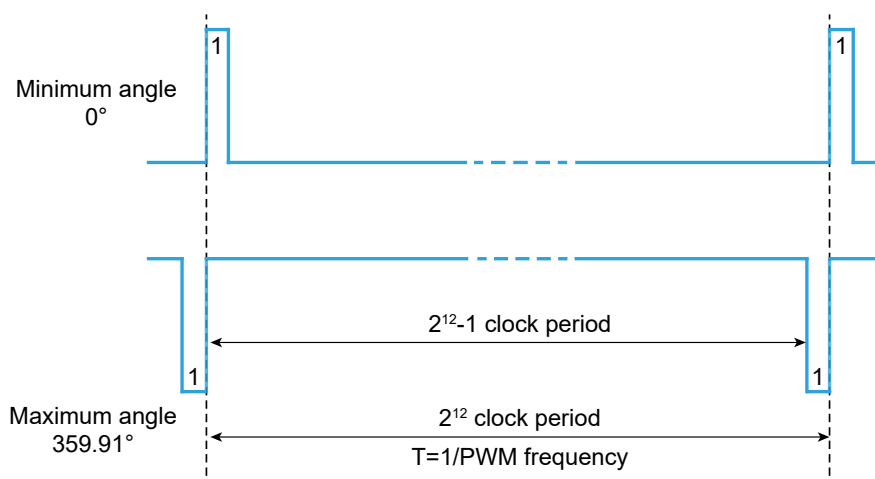


Figure 11. Waveform of PWM mode output signal

The xMR310X calibration kit and corresponding host computer software is provided for the convenience of customer calibration and settings. The PWM frequency of TMR3105AP sensor can be set by this xMR310X calibration kit.

11. Mechanical Angle Orientation

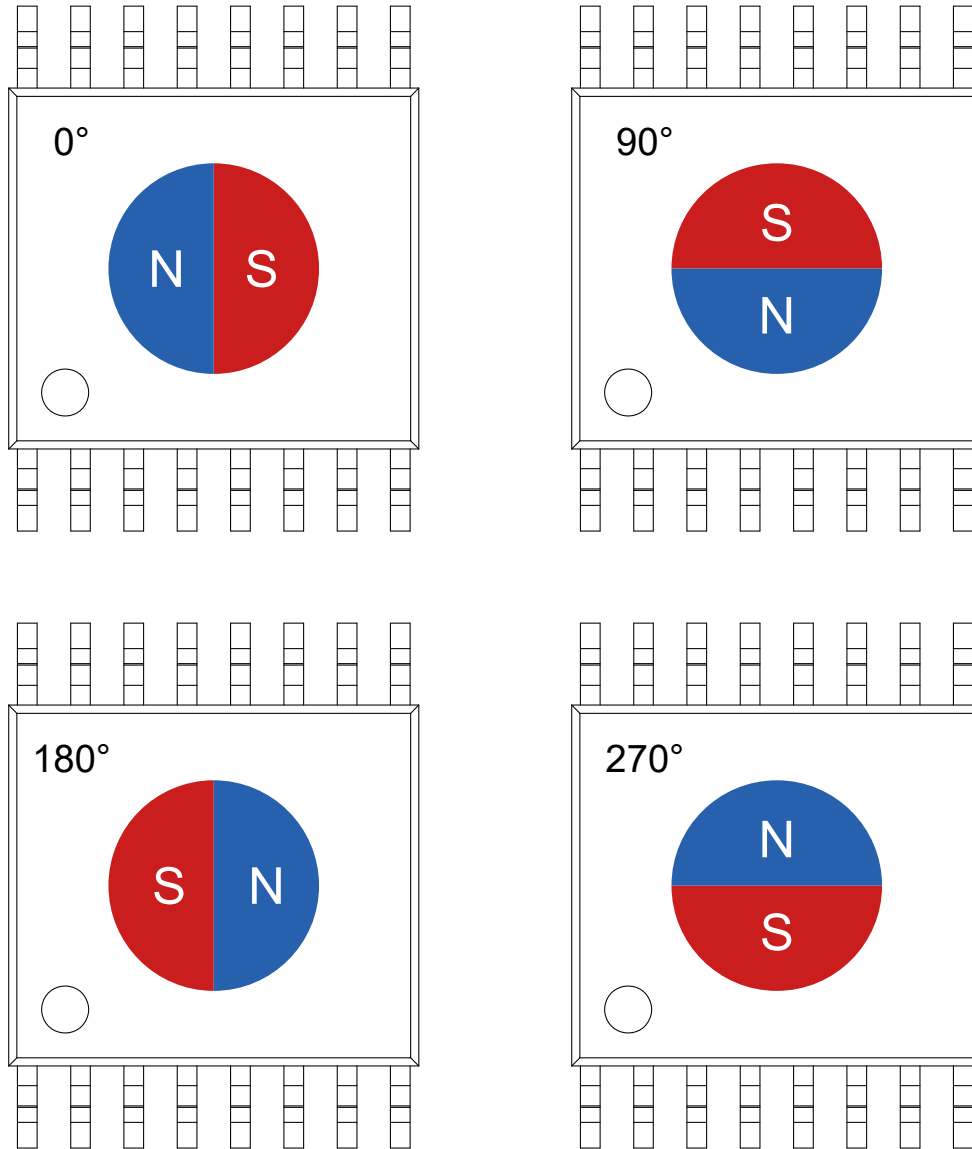


Figure 12. Definition of the magnetic field orientation measured by TMR3105AP

12. Dimensions

TSSOP16L Package

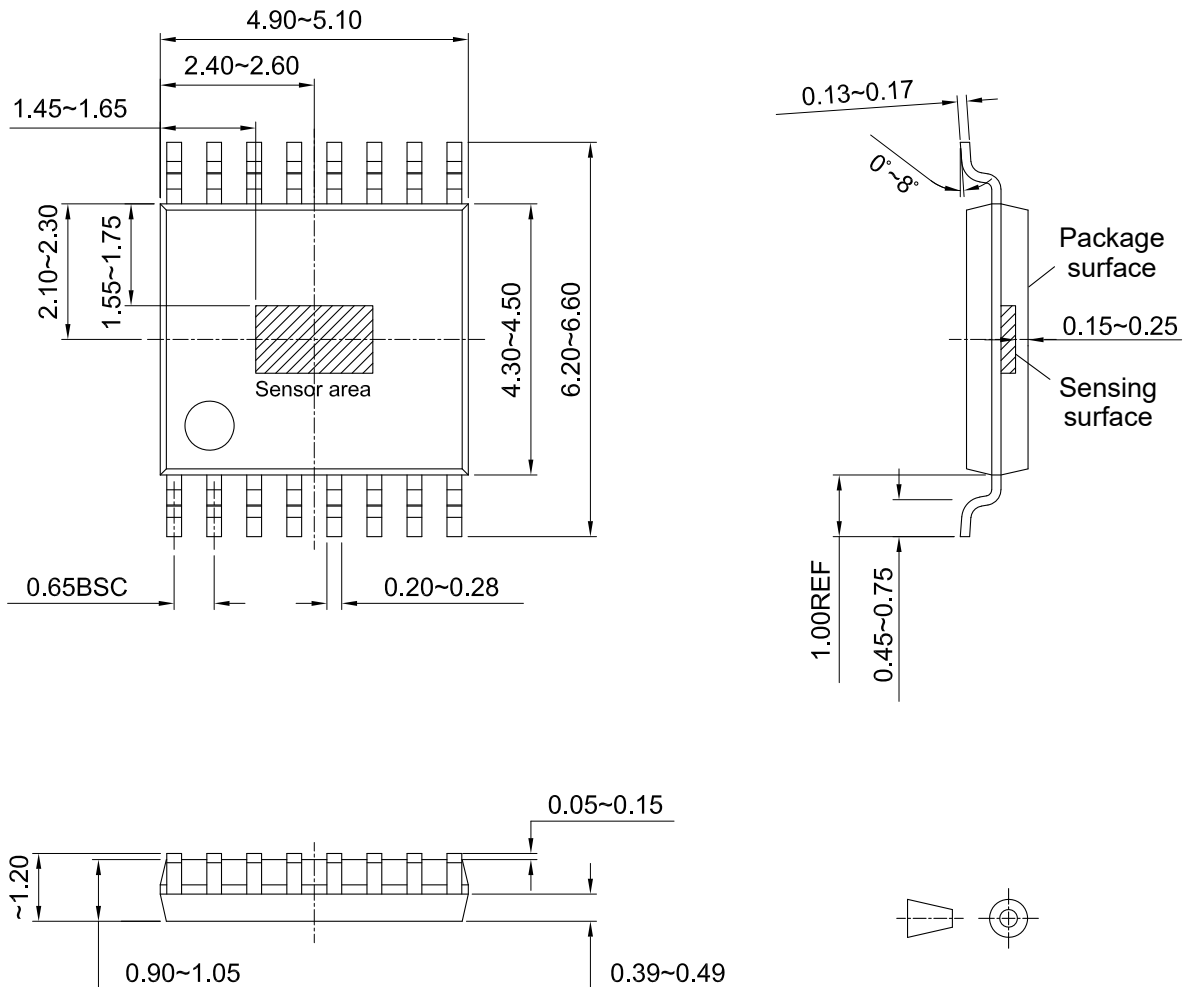


Figure 13. Package outline of TSSOP16L (unit: mm)

Copyright © 2022 by MultiDimension Technology Co., Ltd.

Information furnished herein by MultiDimension Technology Co., Ltd. (hereinafter MDT) is believed to be accurate and reliable. However, MDT disclaims any and all warranties and liabilities of any kind, with respect to any examples, hints or any performance or use of technical data as described herein and/or any information regarding the application of the product, including without limitation warranties of non-infringement of intellectual property rights of any third party. This document neither conveys nor implies any license under patent or other industrial or intellectual property rights. Customer or any third-party must further determine the suitability of the MDT products for its applications to avoid the applications default of customer or third-party. MDT accept no liability in this respect.

MDT does not assume any liabilities of any indirect, incidental, punitive, special or consequential damages (including without limitation of lost profits, lost savings, business interruption, costs related to the removal or replacement of any products or rework charges) whether or not such damages are based on tort (including negligence), warranty, breach of contract or any other legal theory. Notwithstanding any damages that customer might incur for any reason whatsoever, MDT's aggregate and cumulative liability towards customer for the products described herein shall be limited in accordance with the terms and conditions of commercial sale of MDT.

Absolute maximum ratings are the extreme limits the device will withstand without damage to the MDT product. However, the electrical and mechanical characteristics are not guaranteed as the maximum limits (above recommended operating conditions) are approached. MDT disclaims any and all warranties and liabilities of the MDT product will operate at absolute maximum ratings.

Specifications may change without notice.

Please download latest document from our official website www.dowaytech.com/en.

Recycling

The product(s) in this document need to be handed over to a qualified solid waste management services company for recycling in accordance with relevant regulations on waste classification after the end of the product(s) life.



No.2 Guangdong Road, Zhangjiagang Free Trade Zone, Jiangsu, China

Web: www.dowaytech.com/en E-mail: info@dowaytech.com

